

Technical data sheet

Product features



Cooking range electric with electric multifunction convection oven 4x plate 400 V

Model	SAP Code	00000332
--------------	-----------------	----------



- Device type: Electric unit
- Power consumption of the zone 1 [kW]: 2
- Power consumption of the zone 2 [kW]: 2
- Power consumption of the zone 3 [kW]: 1
- Type of internal part of the appliance 1 (eg oven): Electric
- Type of internal part of the appliance 2 (eg oven): Hot air with grill
- Protection of controls: IPX5
- Material: AISI 304 top plate and cladding

SAP Code	00000332	Power consumption of the zone 1 [kW]	2
Net Width [mm]	600	Power consumption of the zone 2 [kW]	2
Net Depth [mm]	600	Power consumption of the zone 3 [kW]	1
Net Height [mm]	900	Type of internal part of the appliance 1 (eg oven)	Electric
Net Weight [kg]	65.00	Type of internal part of the appliance 2 (eg oven)	Hot air with grill
Power electric [kW]	9.050	Width of internal part [mm]	460
Loading	400 V / 3N - 50 Hz	Depth of internal part [mm]	370
Number of zones	3	Height of internal part [mm]	350

Technical data sheet

Technical drawing

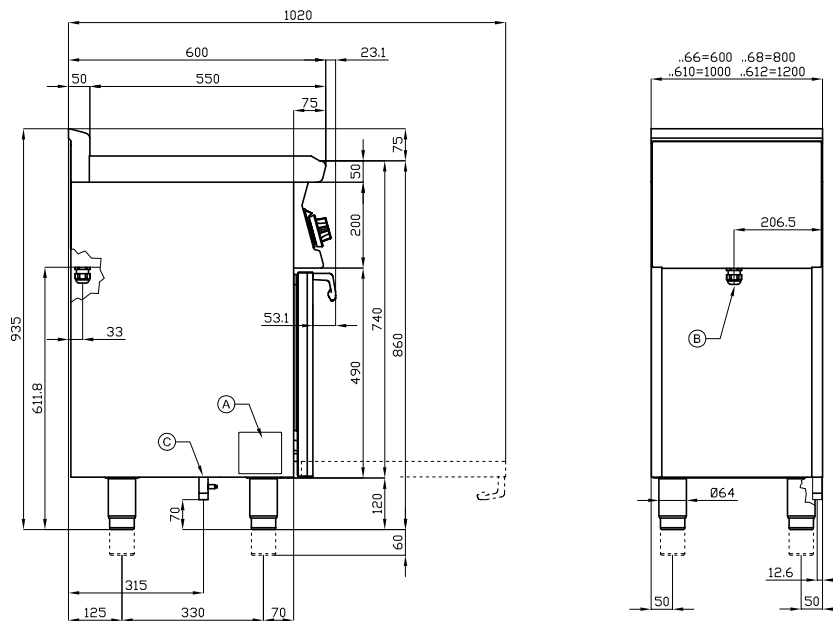


Cooking range electric with electric multifunction convection oven 4x plate 400 V

Model

SAP Code

00000332



A	Data plate	B	Electrical connection
---	------------	---	-----------------------

Technical data sheet

Product benefits



Cooking range electric with electric multifunction convection oven 4x plate 400 V

Model

SAP Code

00000332

1

Internal thermostatic plate protection

longer service life of the plates

- no overheating of the plates and no cracking

2

Degree of protection of the control elements IPX5

maintenance-free system

resistance to splash water

long life

- savings on service interventions
- easy cleaning and maintenance of equipment

3

All-stainless design

the material does not cut

wear resistance of the material

long life

- savings on service interventions
- easy cleaning and maintenance of equipment

4

Hygienic moldings of the top plate

absence of sharp corners and edges (potential places where dirt could stick)

smooth transitions

- easy quick cleaning

5

Multifunctional oven

hot air baking

high capacity and variability

all-stainless design

- suitable for meat, fish, baked pasta, white meat, sweet pastries
- long service life
- easy to clean

Technical data sheet

Technical parameters



Cooking range electric with electric multifunction convection oven 4x plate 400 V

Model

SAP Code

00000332

1. SAP Code:

00000332

2. Net Width [mm]:

600

3. Net Depth [mm]:

600

4. Net Height [mm]:

900

5. Net Weight [kg]:

65.00

6. Gross Width [mm]:

630

7. Gross depth [mm]:

670

8. Gross Height [mm]:

1110

9. Gross Weight [kg]:

70.00

10. Device type:

Electric unit

11. Construction type of device:

With substructure

12. Power electric [kW]:

9.050

13. Loading:

400 V / 3N - 50 Hz

14. Protection of controls:

IPX5

15. Device color:

Stainless steel

16. Material:

AISI 304 top plate and cladding

17. Worktop material:

AISI 304

18. Worktop Thickness [mm]:

1.00

19. Number of zones:

3

20. Power consumption of the zone 1 [kW]:

2

21. Power consumption of the zone 2 [kW]:

2

22. Power consumption of the zone 3 [kW]:

1

23. Maximum device temperature [°C]:

300

24. Minimum device temperature [°C]:

50

25. Number of power control stages:

6

26. Service accessibility:

Trough the frontal panel

27. Safety thermostat:

Yes

28. Safety thermostat up to x ° C:

360

Technical data sheet

Technical parameters



Cooking range electric with electric multifunction convection oven 4x plate 400 V

Model

SAP Code

00000332

29. Adjustable feet:

Yes

36. Width of internal part [mm]:

460

30. Number of burners/hot plates:

4

37. Depth of internal part [mm]:

370

31. Type of electric cooking zones:

Oval

38. Height of internal part [mm]:

350

32. Oven Type:

electric hot air with grill

39. Maximum temperature of the inner chamber [°C]:

300

33. Oven size:

Atyp GN 460x370 mm - not in our offer

40. Minimum temperature of the inner chamber [°C]:

50

34. Type of internal part of the appliance 1 (eg oven):

Electric

41. Number of internal parts:

4

35. Type of internal part of the appliance 2 (eg oven):

Hot air with grill