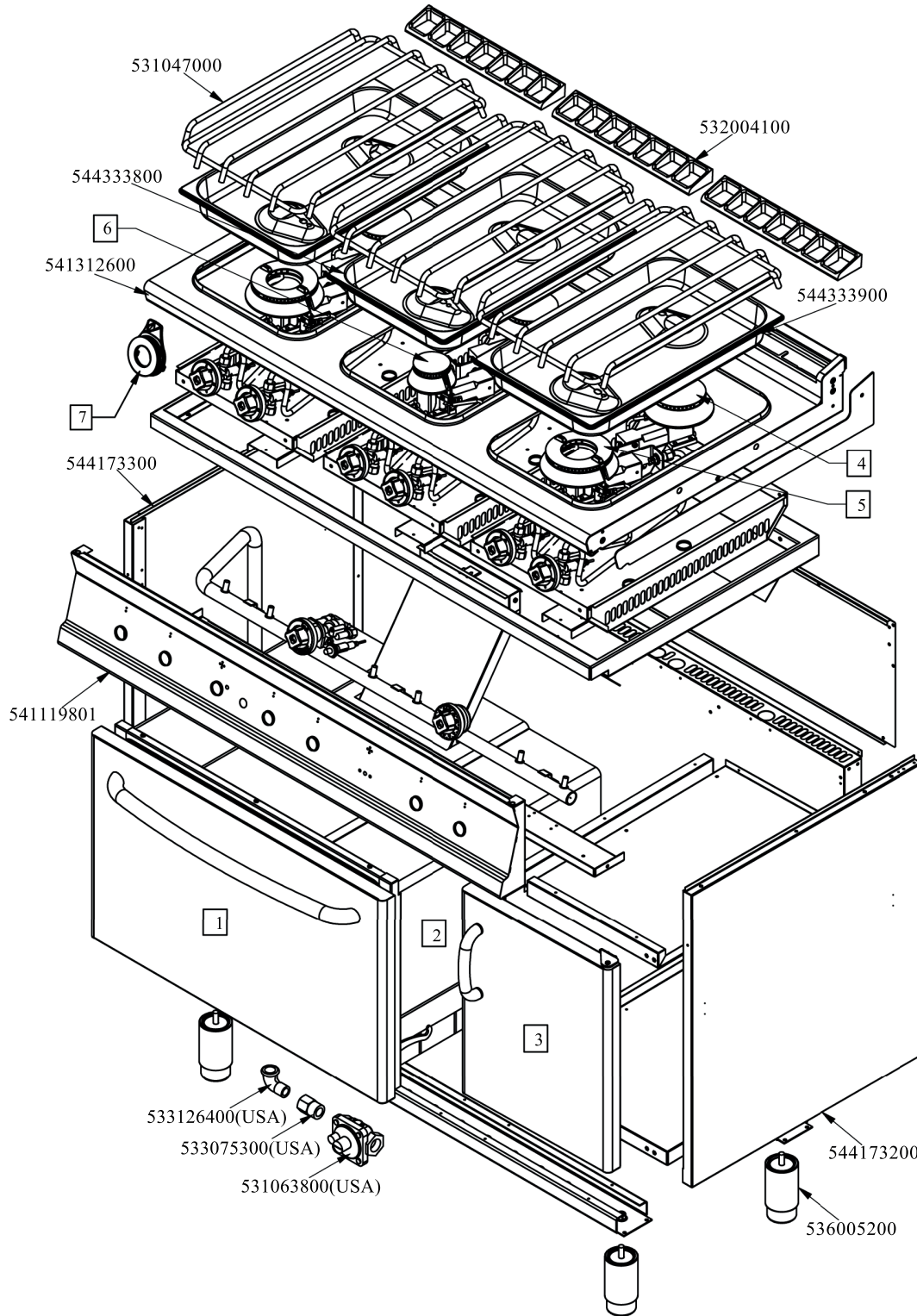
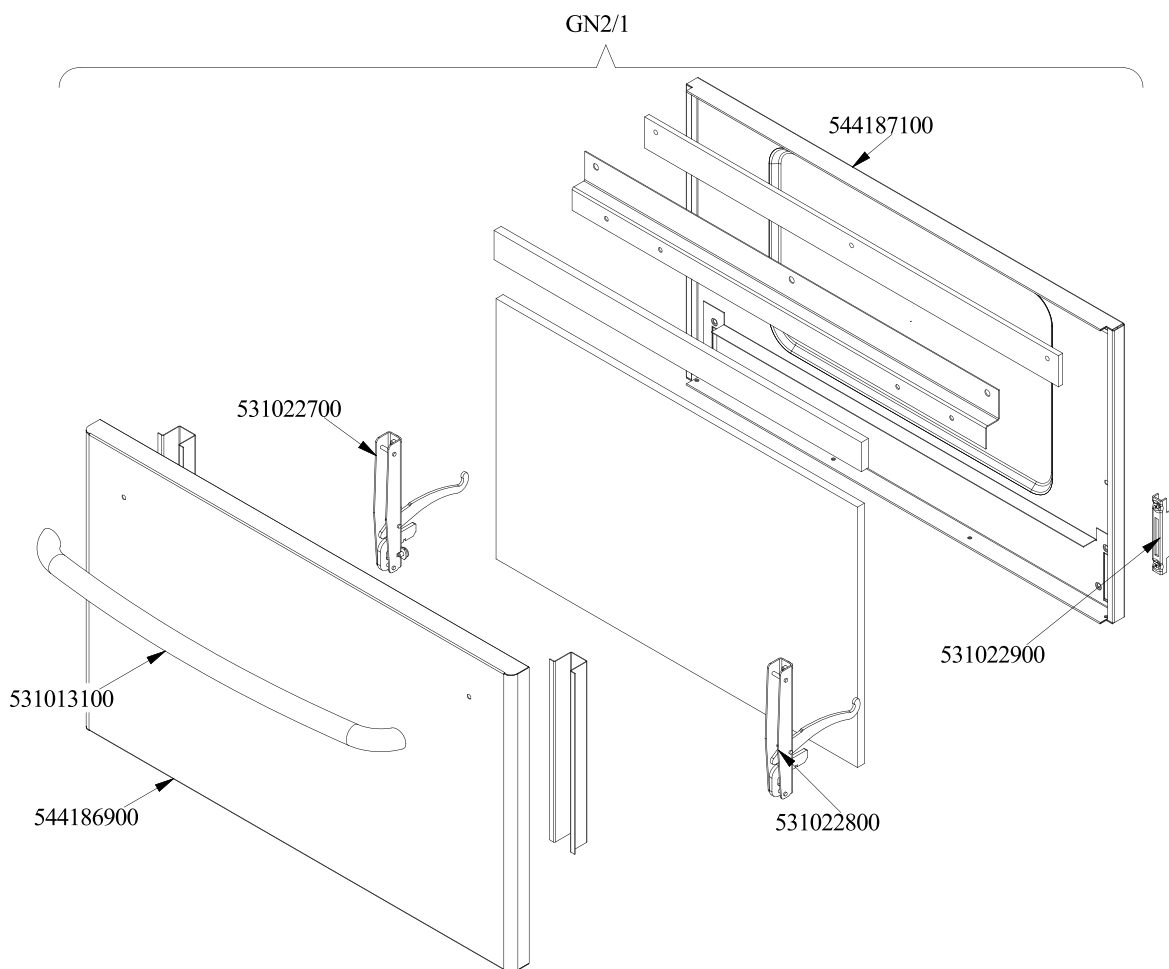




RM 700
 Platný od 1.5. 2019
 CF6-712GPV



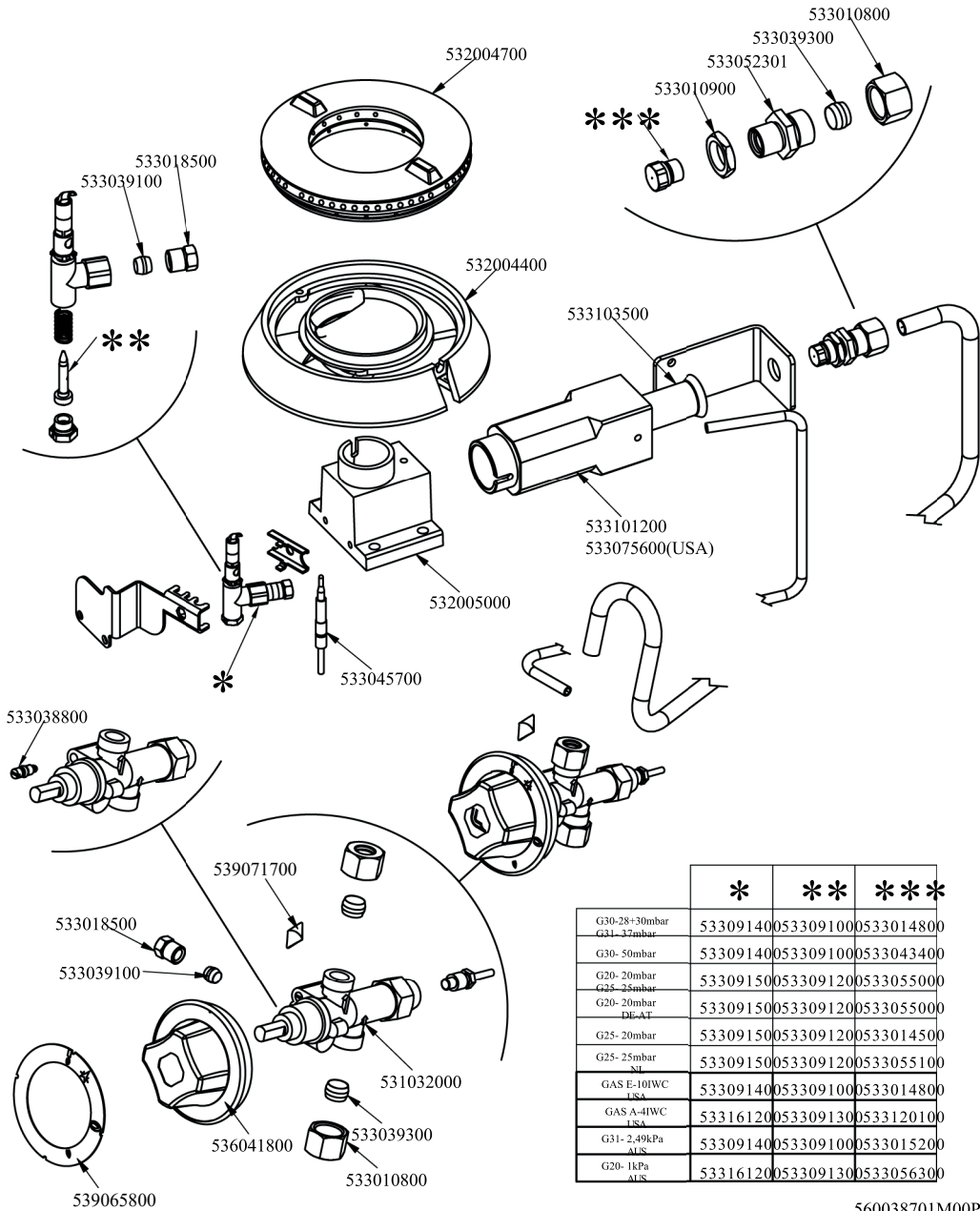
560043501M00P00



560099800M01P00



Objednací kód	Popis v ENG
_GN2/1	PROCESSING CODE
544187100	OVEN INNER DOOR GN 2/1 70/90LINE
531022800	531022800N DOOR HINGE S.70
531013100	OVEN DOOR HANDLE OF 70/90-LINE
544186900	OVEN DOOR GN 2/1 70/90LINES
531022700	LEFT OVEN DOOR HINGE 70LINE
531022900	HINGE ROLLER HOLDER FOR 700-OVEN
GN3/1	PROCESSING CODE
541102300	GAS OVEN INNER DOOR GN 3/1 S.70
531022800	531022800N DOOR HINGE S.70
531013100	OVEN DOOR HANDLE OF 70/90-LINE
544187000	OVEN DOOR GN 3/1 S.70
531022700	LEFT OVEN DOOR HINGE 70LINE
531022900	HINGE ROLLER HOLDER FOR 700-OVEN

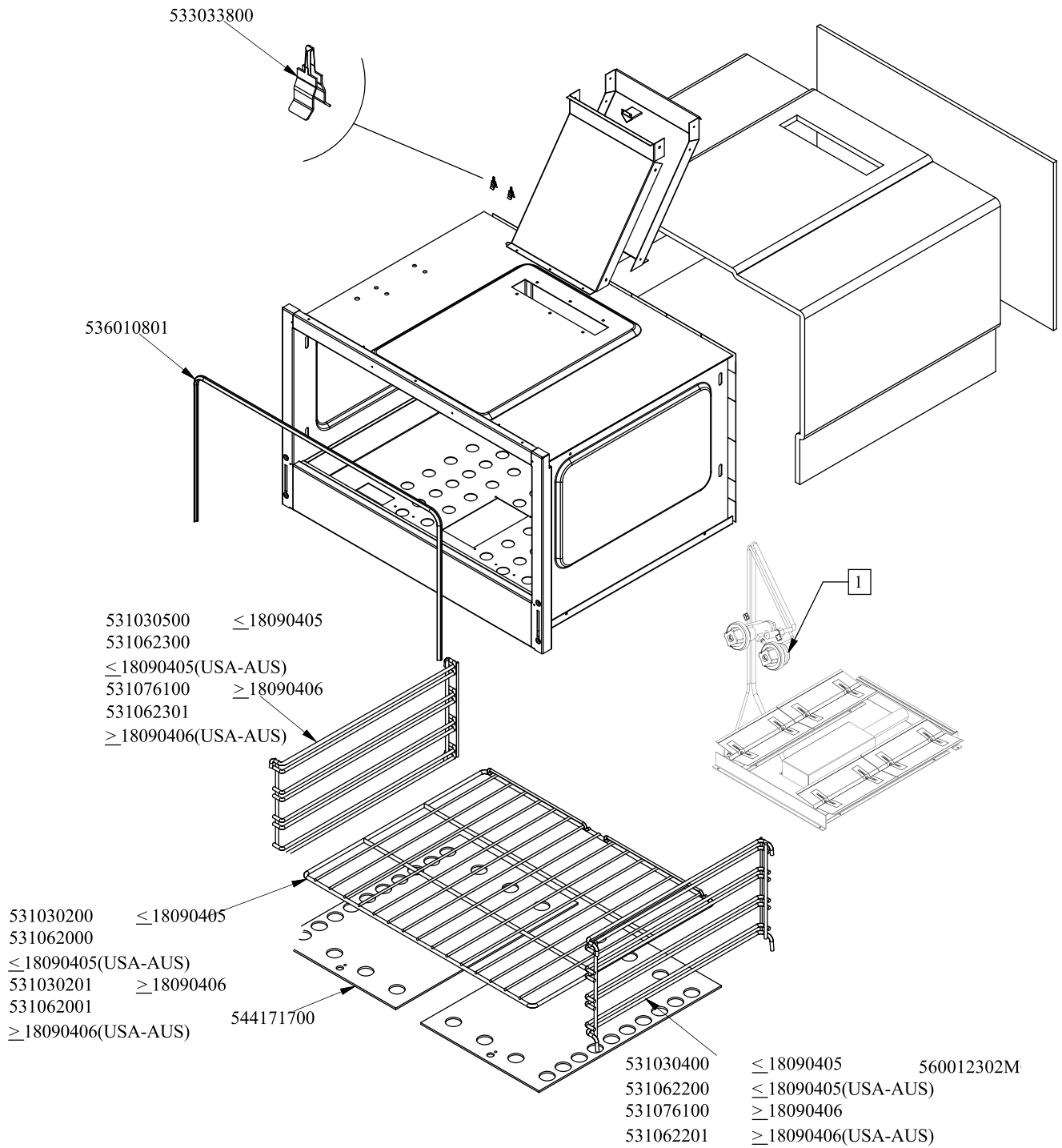


	*	**	***
G30-28÷30mbar	533091400	533091000	533014800
G31-32mbar	533091400	533091000	533043400
G30-50mbar	533091400	533091000	533043400
G20-20mbar	533091500	533091200	533055000
G25-25mbar	533091500	533091200	533055000
G20-20mbar DE-AT	533091500	533091200	533055000
G25-20mbar	533091500	533091200	533014500
G25-25mbar NL	533091500	533091200	533055100
GAS E-10IWC USA	533091400	533091000	533014800
GAS A-4IWC USA	533161200	533091300	533120100
G31-2,49kPa AUS	533091400	533091000	533015200
G20-1kPa AUS	533161200	533091300	533056300

560038701M00P0Q

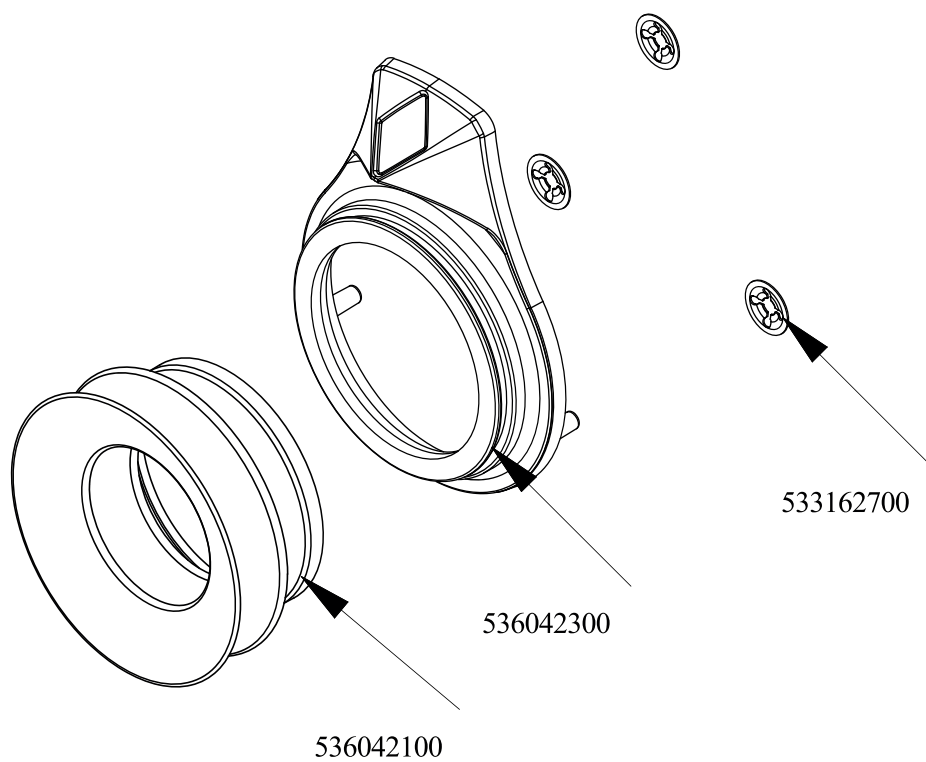


Objednací kód	Popis v ENG
533010900	NUT M14*1 H.4
533052301	JOINT FOR NOZZLE HOLDER
533039300	BICONE §10
533010800	TUBE NUT D.10 M16*1,5
532004400	BIG BURNER BODY 70LINE P.
532004700	BURNER COVER RING UR D128
533103500	AIR ADJUSTMENT BUSHING D22 EST.H57
532005000	ELBOW FITTING OF BURNER VENTURI UR
533039100	BICONE §6
533018500	FITTING FOR BICONE D.6 M10*1
533038800	75 BY-PASS FOR 21S TAP
533045700	THERMOCOUPLE M9*1 500
531032000	GAS COCK P.V.BY-PASS Ø075
539071700	ADHES.LABEL FOR RING GREEN SIGN.
536041800	SILVER CHROM. KNOB Ø77 4P.G.Ø08X6,5
539065800	BLACK STICKING DISK 72
533101200	BURNER VENTURI UR
533075600	BURNER VENTURI 7,5KW S70 USA
533091400	P.NOZZLE S100 UG.§20 PC90 LPG-FLUS
533091500	PILOT NOZZLE S.100 §30 PC90 NAT.GAS
533161200	
533091000	NOZZLE 0.100 §20
533091200	PILOT NOZZLE 0100 Ø35 PIL.PC
533091300	PILOT NOZZLE 0100 Ø40 PIL.PC
533014800	NOZZLE §135 CH12*14,0
533043400	NOZZLE §117 CH12*14 G-PC4 UR
533055000	NOZZLE §205 CH12*14 G25 CW4
533014500	NOZZLE §225 CH12*14 OVEN GN 2/1
533055100	NOZZLE §215 CH12*14 L-CW4
533120100	NOZZLE §210 CH12*14,0
533015200	NOZZLE §145 CH12*14 F-FP/CP6
533056300	NOZZLE §240 CH12*14





Objednačí kód	Popis v ENG
544171700	BOTTOM FOR GAS OVEN GN2/1 700LINE
536010801	OVEN GASKET GN 2/1 (1308)
531030200	OVEN GRID GN 2/1 FOR 70 LINE
531062000	OVEN GRID GN 2/1 FOR 70 LINE
531030201	GRID FOR OVEN GN2/1 70L
531062001	
531030500	LHD SUPPORT GRID FOR OVEN OF 70LINE
531062300	LHD SUPPORT GRID FOR OVEN OF 70LINE
531076100	
531062301	
531030400	RHD SUPPORT GRID FOR OVEN OF 70LINE
531062200	RHD SUPPORT GRID FOR OVEN OF 70LINE
531062201	

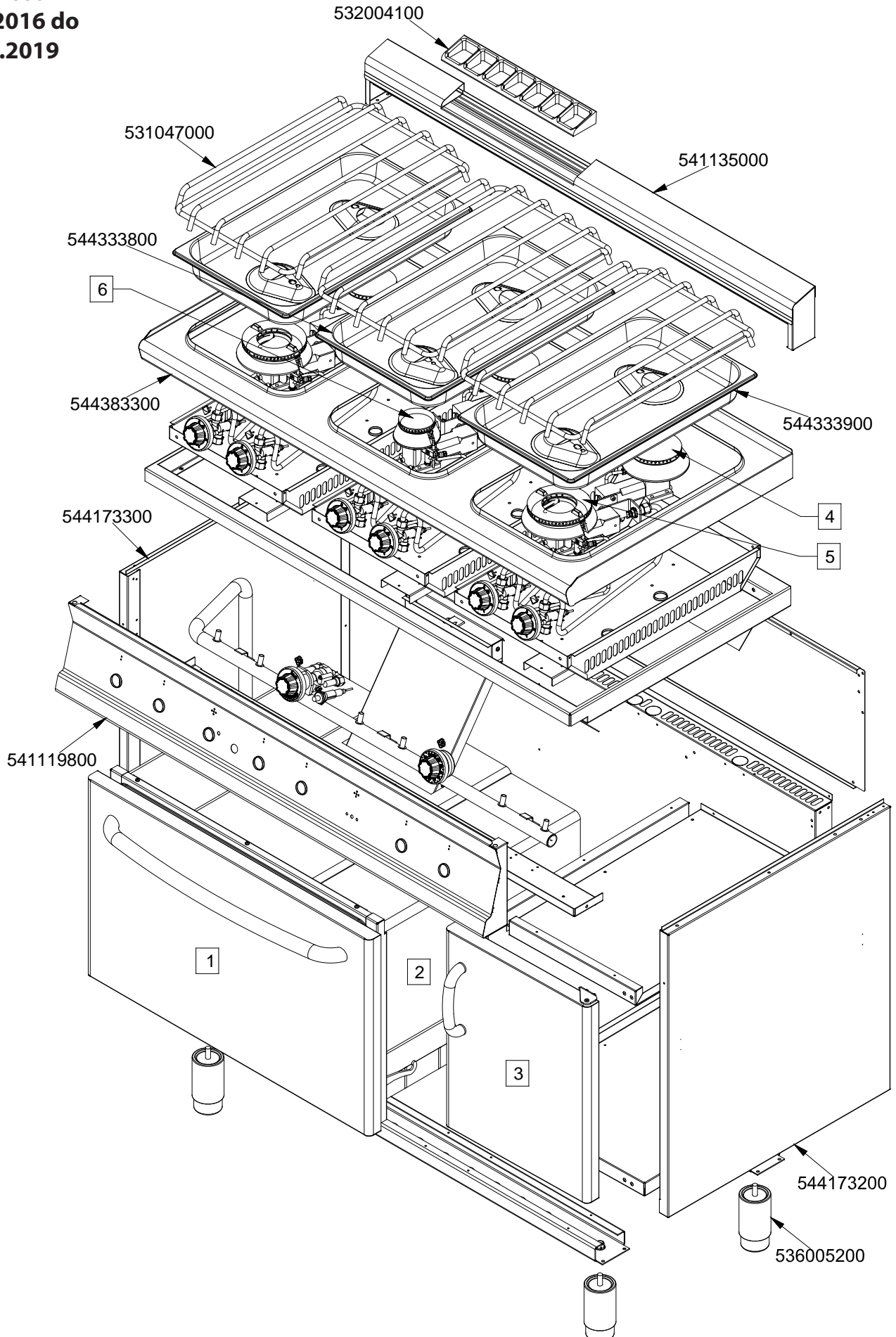


560125700M00P00



Objednačí kód	Popis v ENG
536042300	SILVER CHROM. RING FOR KNOB Ø77 4 P
536042100	SEAL CASING FOR KNOB Ø77 4 P
533162700	PROCESSING CODE

CF6 - 712 GPV
Platnost
1.5.2016 do
30.4.2019



CF6 - 712 GPV

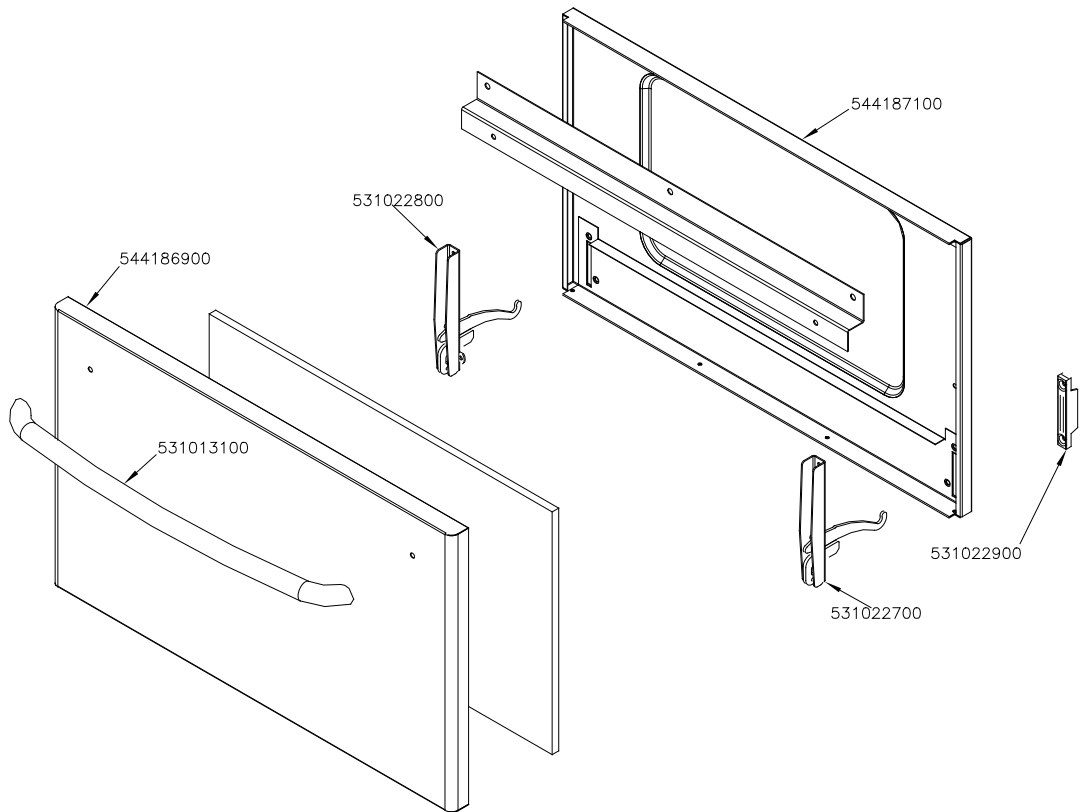
(1)

Platnost

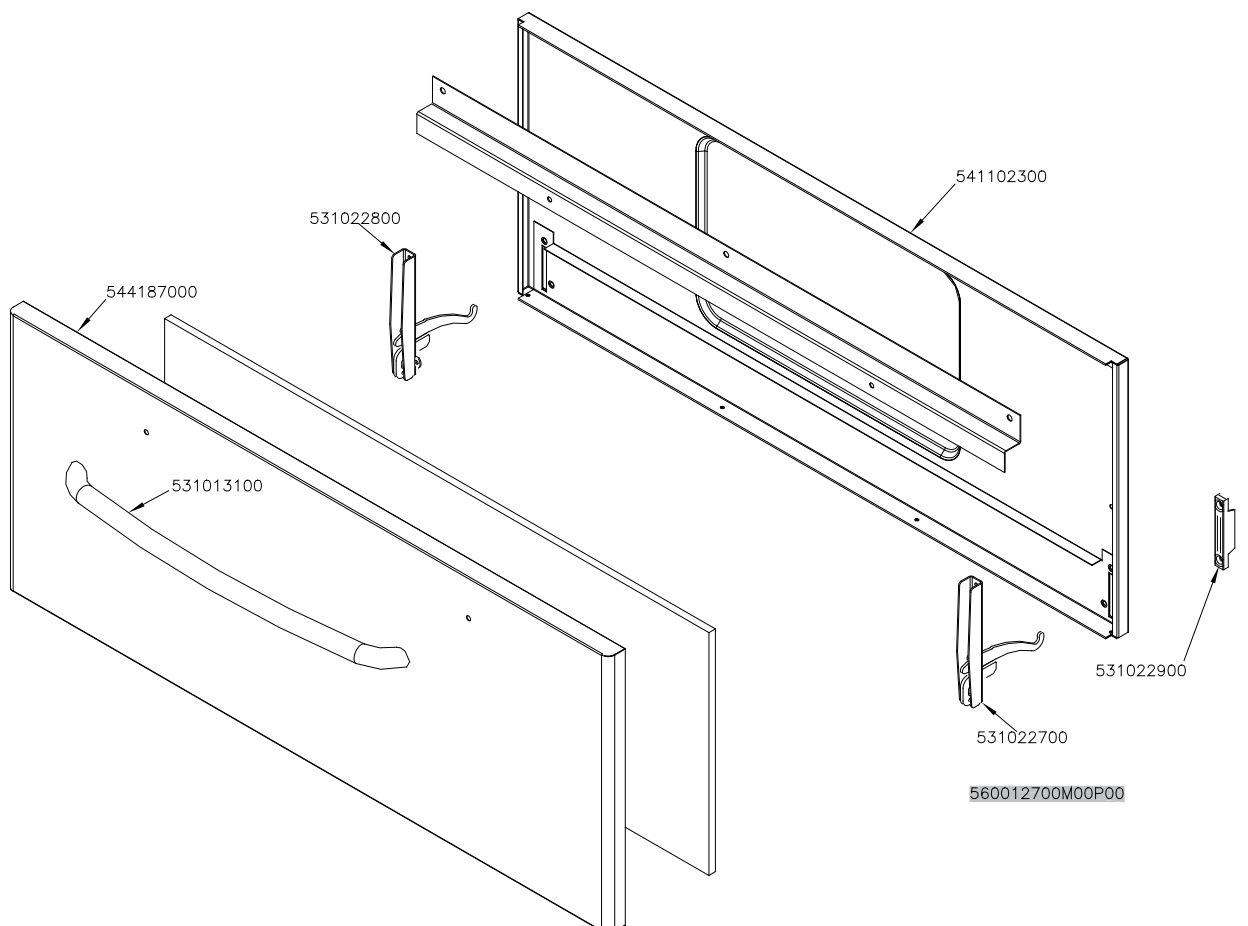
1.5.2016 do

30.4.2019

GN 2/1



GN 3/1





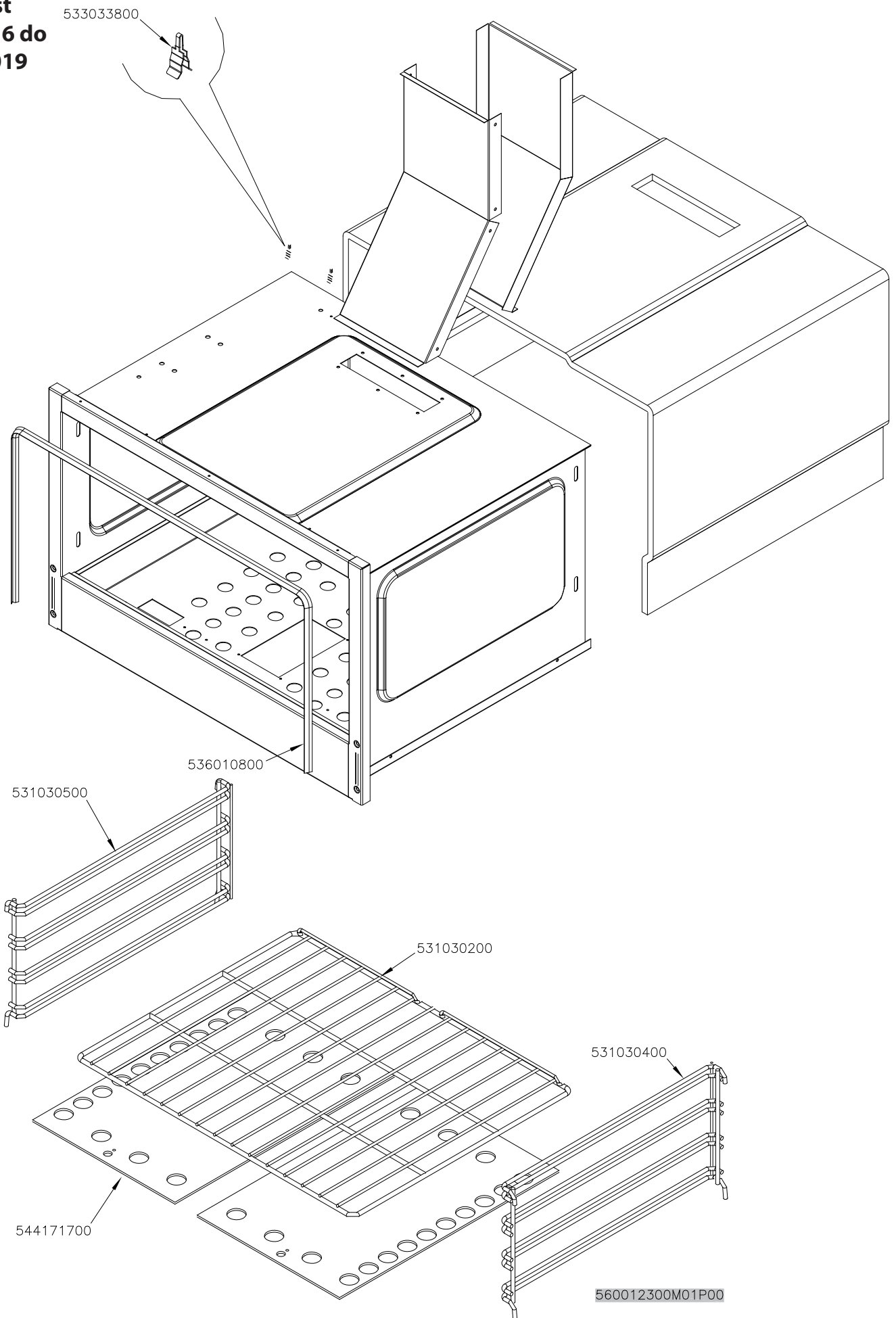
CF6 - 712 GPV

(2)

Platnost

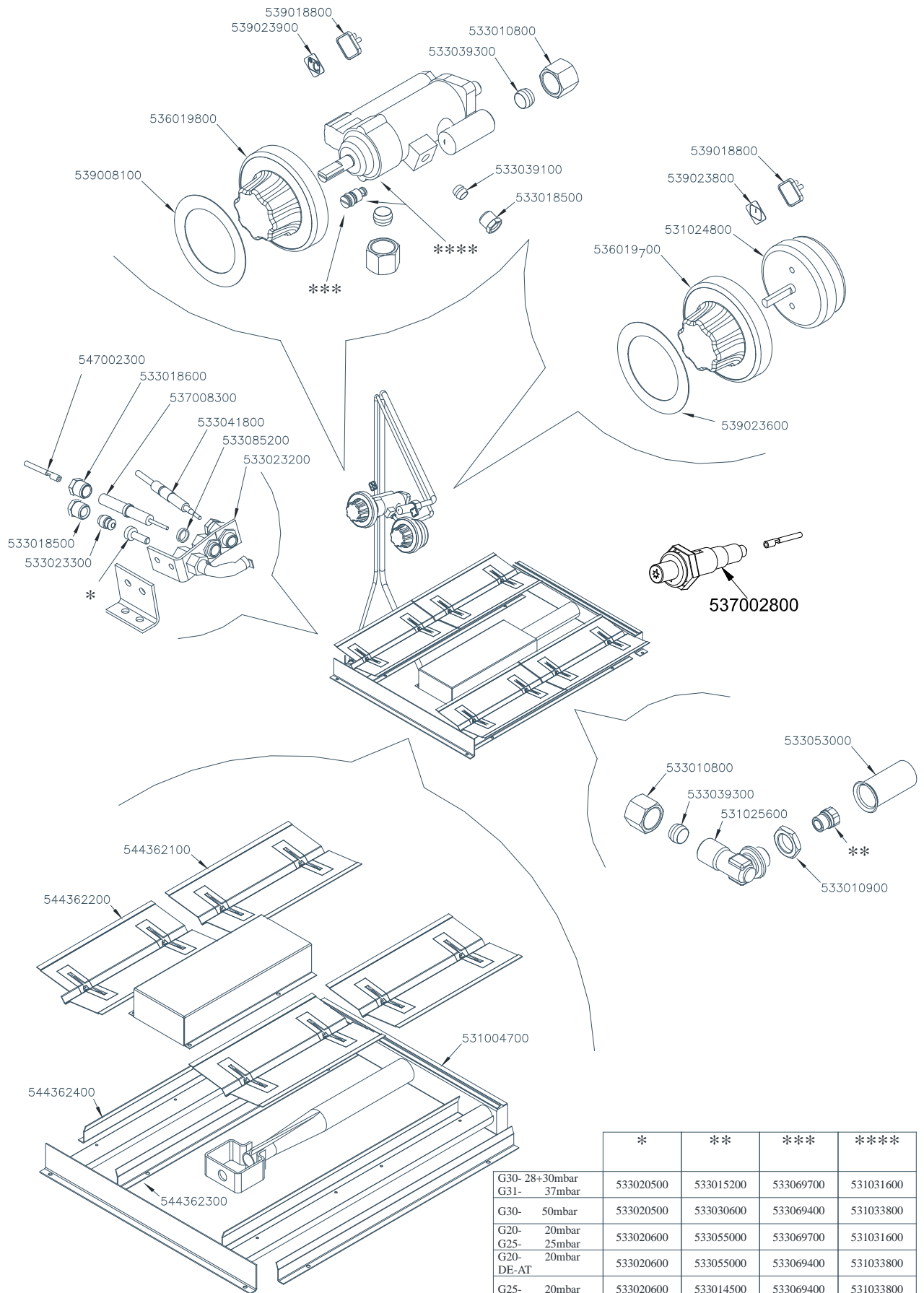
1.5.2016 do

30.4.2019





CF6 - 712 GPV
Platnost
1.5.2016 do
30.4.2019



560034700M01P00

	*	**	***	****
G30- 28+30mbar	533020500	533015200	533069700	531031600
G31- 37mbar	533020500	533030600	533069400	531033800
G30- 50mbar	533020500	533055000	533069700	531031600
G20- 20mbar	533020600	533055000	533069400	531033800
G25- 25mbar	533020600	533014500	533069400	531033800
G20- DE-AT	533020600	533055100	533069700	531031600
G25- 20mbar	533020600			
G25- 25mbar	533020600			
NL				



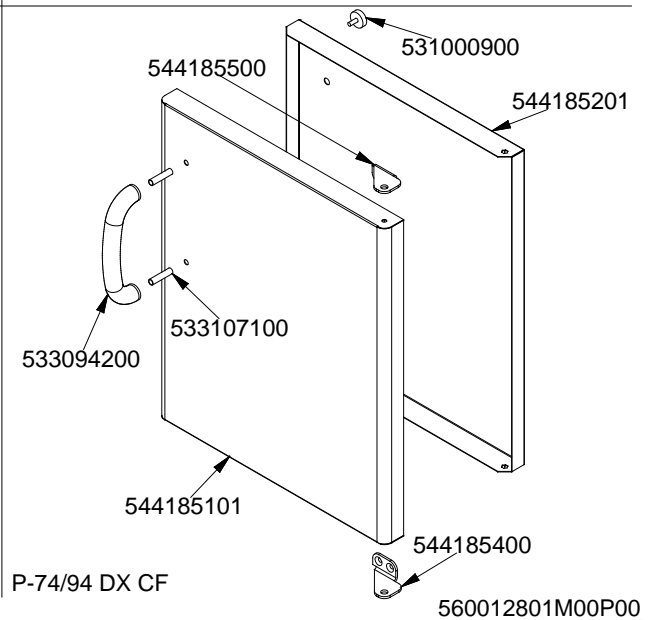
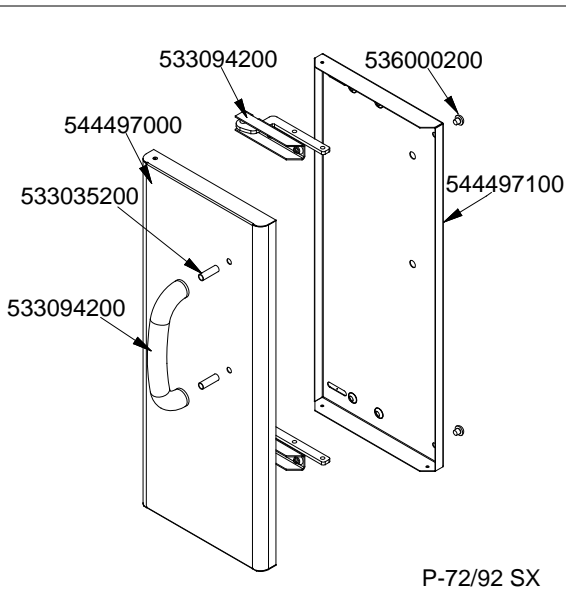
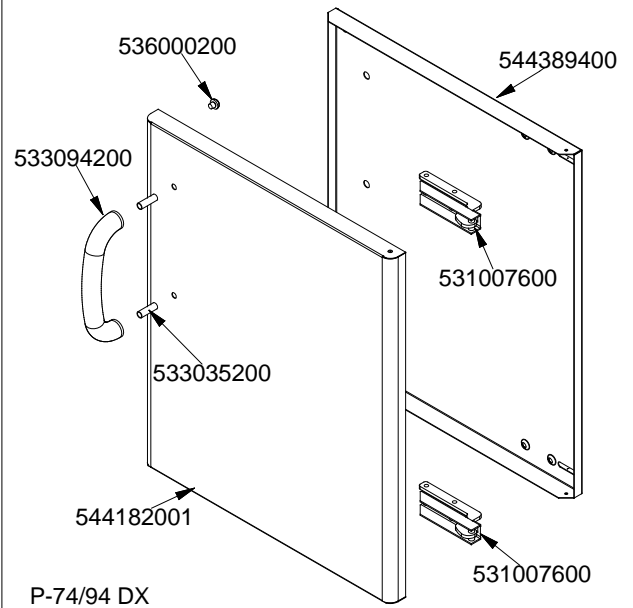
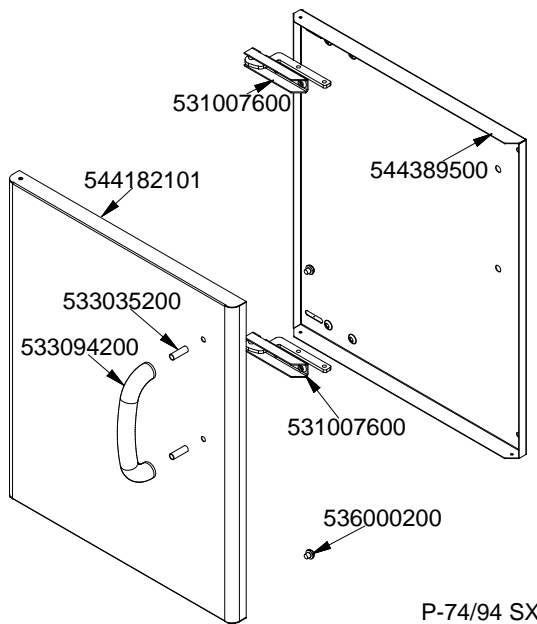
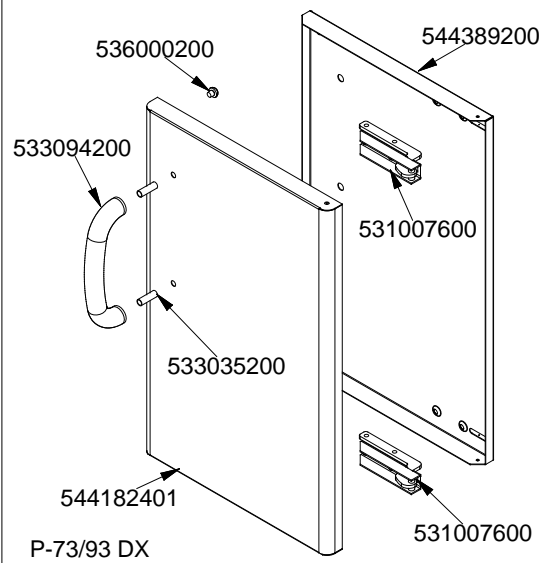
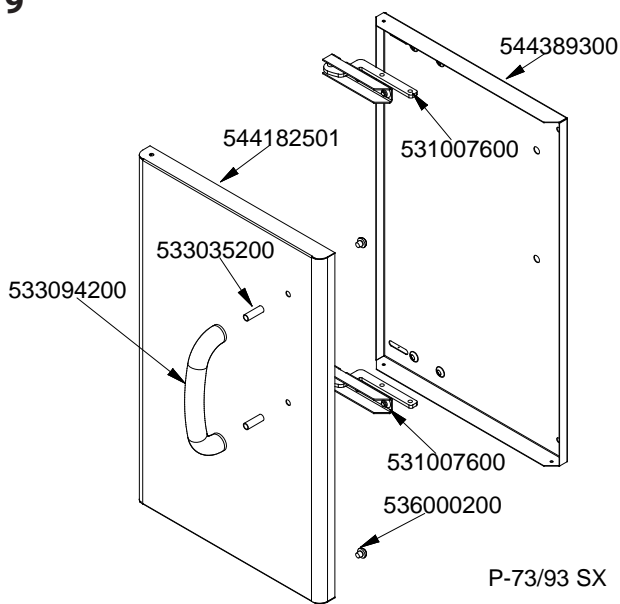
CF6 - 712 GPV

(3)

Platnost

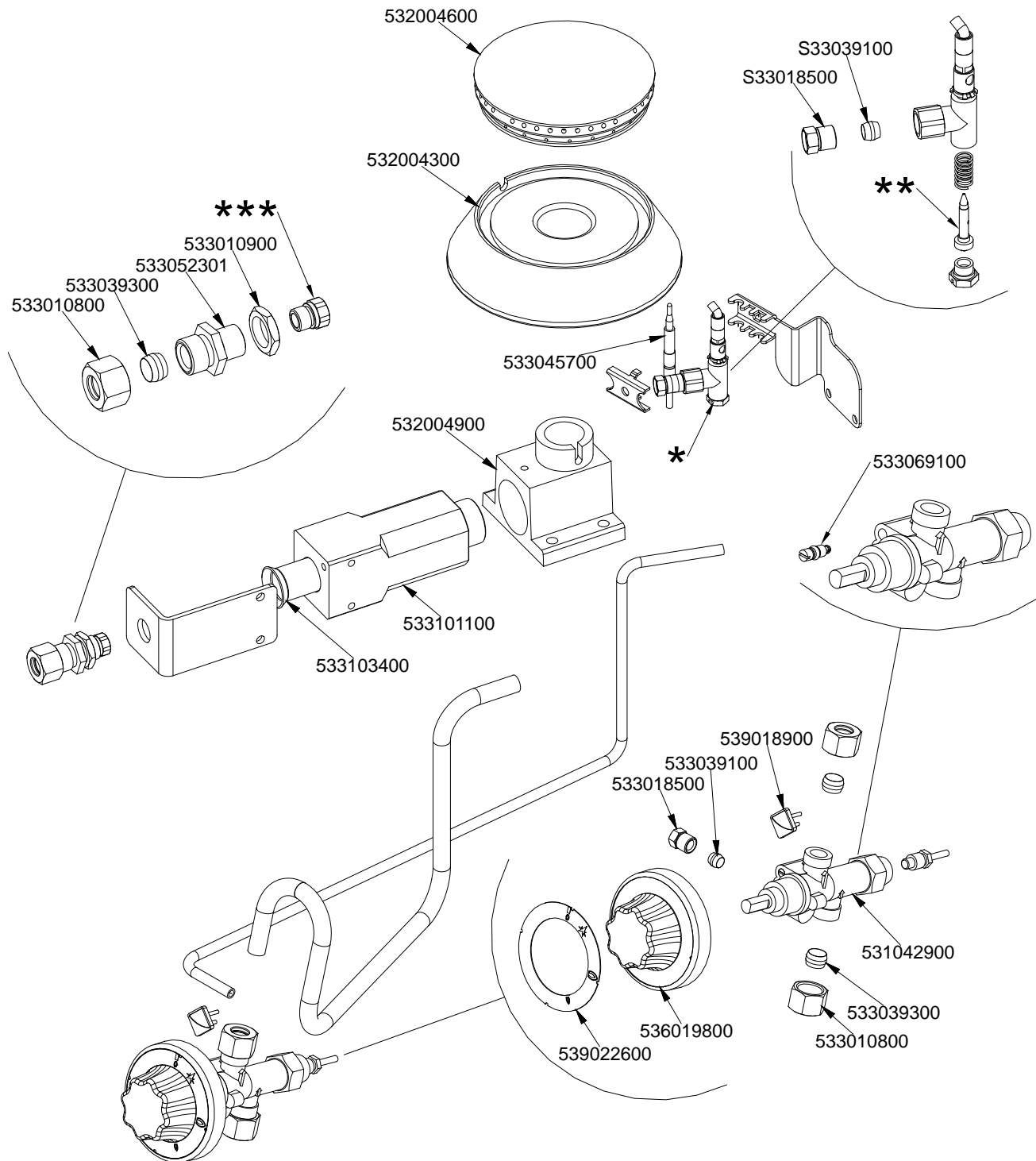
1.5.2016 do

30.4.2019





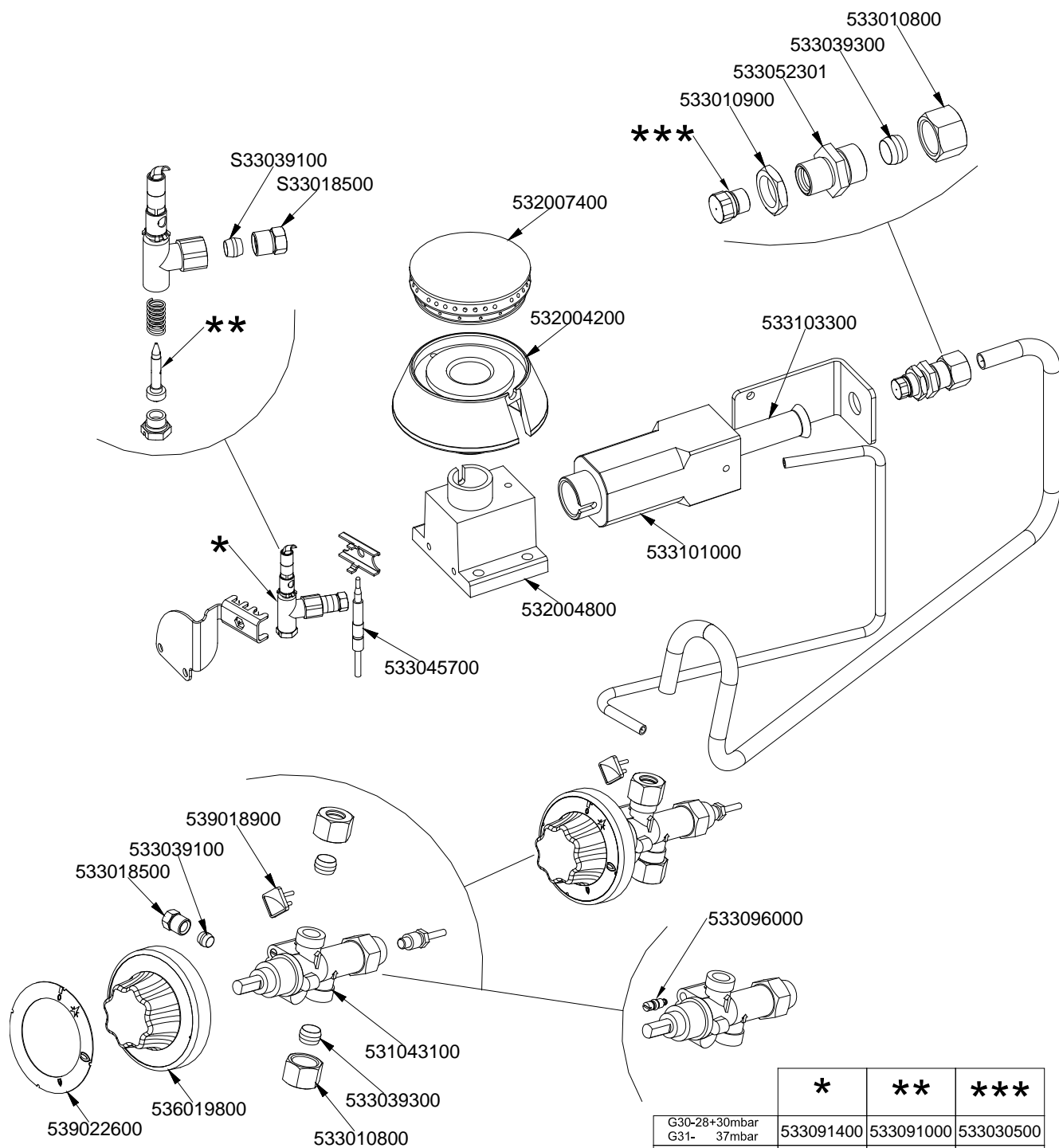
CF6 - 712 GPV
 PC-G R
 (3)
 Platnost
 1.5.2016 do
 30.4.2019



	*	**	***
G30-28+30mbar G31- 37mbar	533091400	533091000	533043900
G30- 50mbar	533091400	533091000	533019300
G20- 20mbar G25- 25mbar	533091500	533091200	533031000
G20- 20mbar DE-AT	533091500	533091200	533031000
G25- 20mbar	533091500	533091200	533043500
G25- 25mbar NL	533091500	533091200	533019400



CF6 - 712 GPV
PC-G SR
(4)
Platnost
1.5.2016 do
30.4.2019

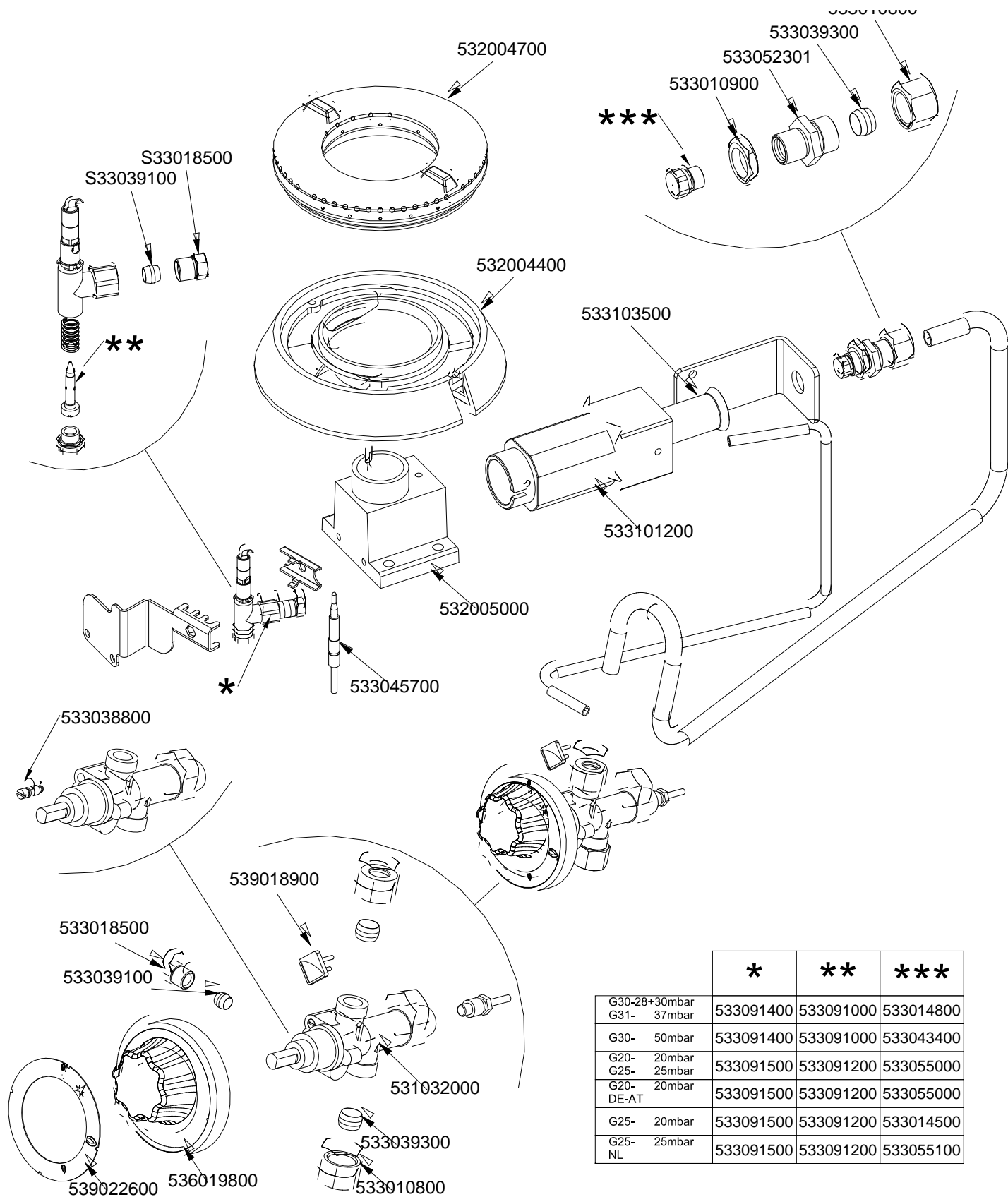


	*	**	***
G30-28+30mbar G31- 37mbar	533091400	533091000	533030500
G30- 50mbar	533091400	533091000	533015100
G20- 20mbar G25- 25mbar	533091500	533091200	533015200
G20- 20mbar DE-AT	533091500	533091200	533015200
G25- 20mbar	533091500	533091200	533030800
G25- 25mbar NL	533091500	533091200	533014900



CF6 - 712 GPV
PC-G UR

(5)
Platnost
1.5.2016 do
30.4.2019



	*	**	***
G30-28+30mbar G31- 37mbar	533091400	533091000	533014800
G30- 50mbar	533091400	533091000	533043400
G20- 20mbar G25- 25mbar	533091500	533091200	533055000
G20- 20mbar DE-AT	533091500	533091200	533055000
G25- 20mbar	533091500	533091200	533014500
G25- 25mbar NL	533091500	533091200	533055100