

# Technical data sheet

## Product features



### Cooking range gas WOK 2x burner without cabinet

<b>Model</b>	<b>SAP Code</b>	00005377
--------------	-----------------	----------



- Device type: Gas unit
- Power consumption of the zone 1 [kW]: 10
- Power consumption of the zone 2 [kW]: 7
- Ignition: Eternal flame
- Protection of controls: IPX5
- Material: AISI 304

<b>SAP Code</b>	00005377	<b>Type of gas</b>	Natural gas, propane butane
<b>Net Width [mm]</b>	800	<b>Number of zones</b>	2
<b>Net Depth [mm]</b>	600	<b>Power consumption of the zone 1 [kW]</b>	10
<b>Net Height [mm]</b>	280	<b>Power consumption of the zone 2 [kW]</b>	7
<b>Net Weight [kg]</b>	35.00	<b>Diameter of device [mm]</b>	400
<b>Power gas [kW]</b>	17.000		

# Technical data sheet

Technical drawing

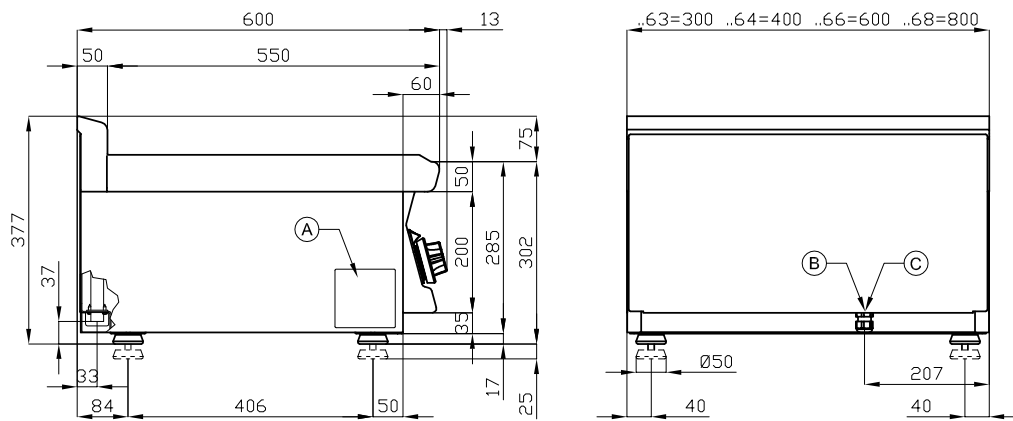


## Cooking range gas WOK 2x burner without cabinet

Model

SAP Code

00005377



A	Data plate		C	Gas connection	ISO 7-1 1/2" M
---	------------	--	---	----------------	----------------

# Technical data sheet

## Product benefits



### Cooking range gas WOK 2x burner without cabinet

Model

SAP Code

00005377

1

#### Massive construction of burners

- high performance and efficiency
- brass burners removable
- eternal flame
- long life
- demountable
  - energy saving (perfect combustion)
  - time saving for food preparation
  - easy maintenance/cleaning

2

#### Hygienic moldings of the top plate

- absence of sharp corners and edges (potential places where dirt could stick)
- smooth transitions
  - easy quick cleaning

3

#### Degree of protection of the control elements IPX5

- maintenance-free system
- resistance to splash water
- long life
  - savings on service interventions
  - easy cleaning and maintenance of equipment

4

#### All-stainless design

- the material does not cut
- wear resistance of the material
- long life
  - savings on service interventions
  - easy cleaning and maintenance of equipment

5

#### Safety element – thermocouple

- safe operation for personnel
- there is no overheating and damage to the thallus
- long life
  - savings on service interventions
  - easier and faster operation

6

#### Piezoelectric ignition

- instant flame ignition
- there is no unnecessary gas leakage
- long life
  - savings on service interventions
  - easier and faster operation

7

#### Cooking unit for use on a table or on a base

- variable use
- the possibility of placement in smaller spaces
  - easy handling
  - cost savings on substructure

8

#### Large electric oven with four positions for racks with static cooking

- static baking
- high capacity and variability
- all-stainless design
  - suitable for yeast dishes and desserts
  - long service life
  - easy to clean

# Technical data sheet

Technical parameters



## Cooking range gas WOK 2x burner without cabinet

**Model**

**SAP Code**

00005377

**1. SAP Code:**

00005377

**2. Net Width [mm]:**

800

**3. Net Depth [mm]:**

600

**4. Net Height [mm]:**

280

**5. Net Weight [kg]:**

35.00

**6. Gross Width [mm]:**

830

**7. Gross depth [mm]:**

690

**8. Gross Height [mm]:**

610

**9. Gross Weight [kg]:**

40.00

**10. Device type:**

Gas unit

**11. Construction type of device:**

Table top

**12. Power gas [kW]:**

17.000

**13. Ignition:**

Eternal flame

**14. Type of gas:**

Natural gas, propane butane

**15. Protection of controls:**

IPX5

**16. Material:**

AISI 304

**17. Worktop type:**

With removable containers - convenient maintenance, cleaning and service access

**18. Worktop material:**

AISI 304

**19. Worktop Thickness [mm]:**

1.00

**20. Number of zones:**

2

**21. Power consumption of the zone 1 [kW]:**

10

**22. Power consumption of the zone 2 [kW]:**

7

**23. Number of power control stages:**

0

**24. Grid material:**

Cast iron

**25. Service accessibility:**

From the front by removing the front panel and waste fluid containers

**26. Safety thermocouple:**

Yes

# Technical data sheet

Technical parameters



## Cooking range gas WOK 2x burner without cabinet

<b>Model</b>	<b>SAP Code</b>	00005377
--------------	-----------------	----------

### 27. Adjustable feet:

Yes

### 30. Type of gas cooking zones:

Powerfull

### 28. Number of burners/hot plates:

2

### 31. Burner type:

Brass, detachable

### 29. Diameter of device [mm]:

400