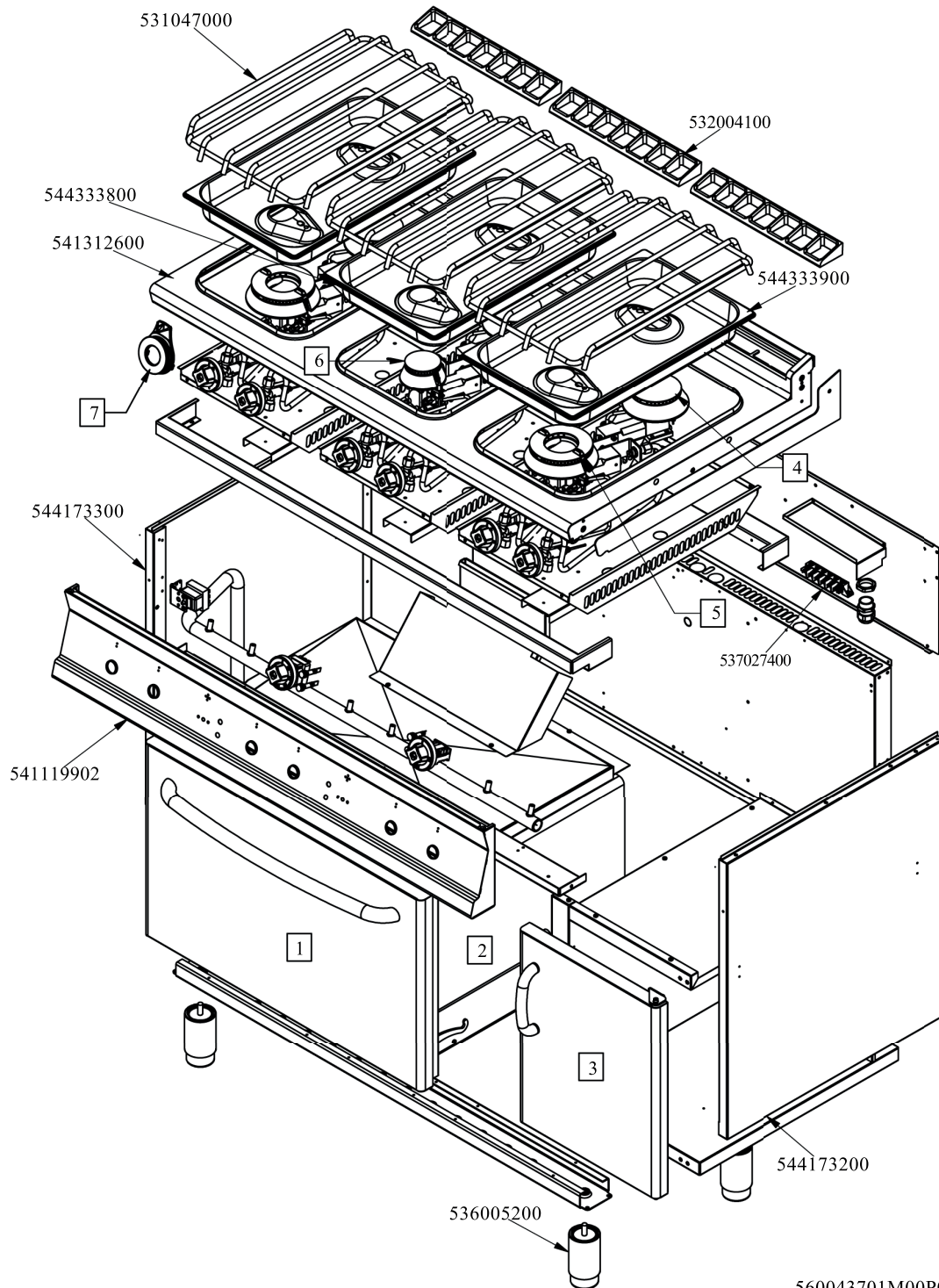
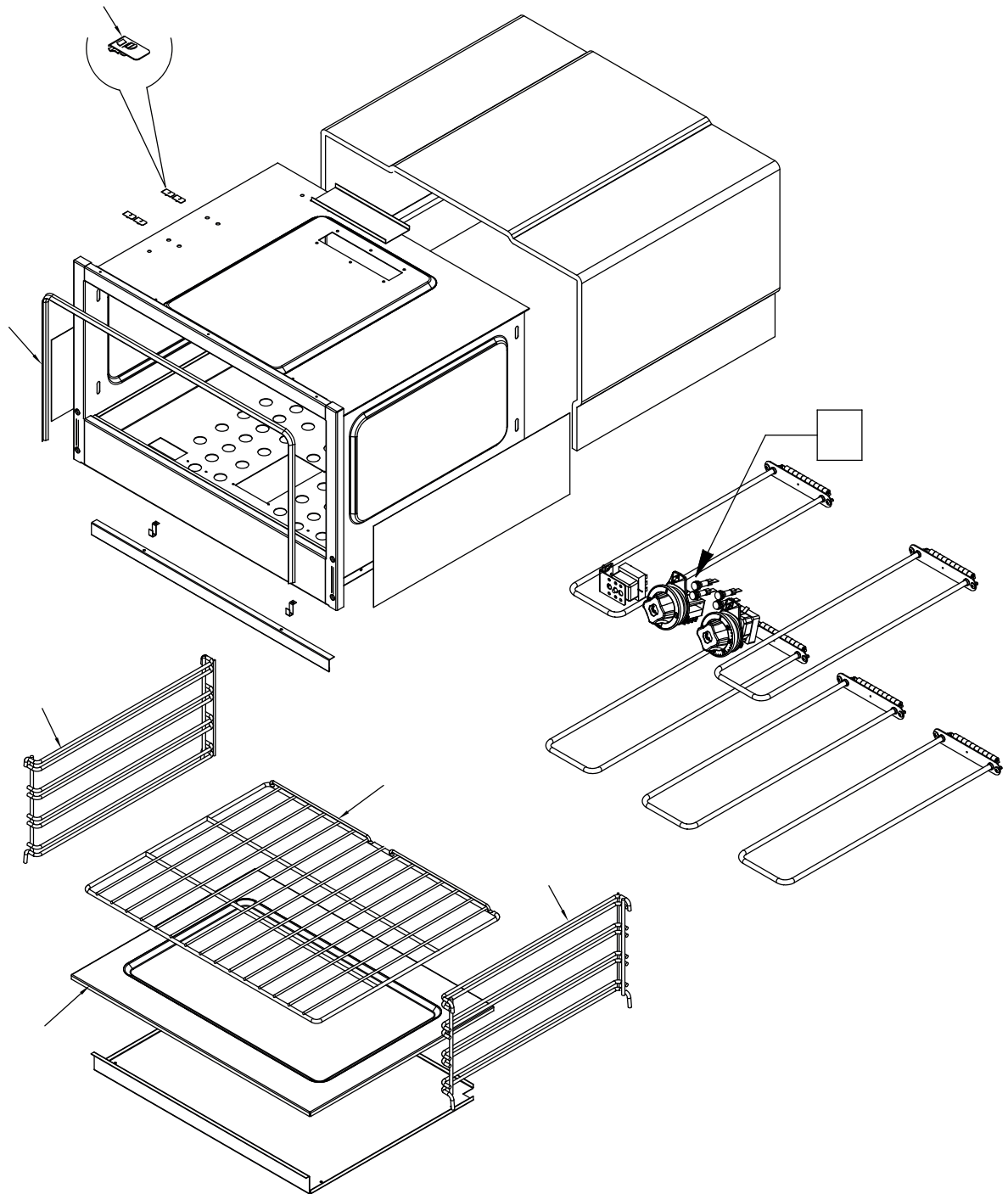


RM 700
 Platný od 1.5. 2019
 CF6-712GPEV

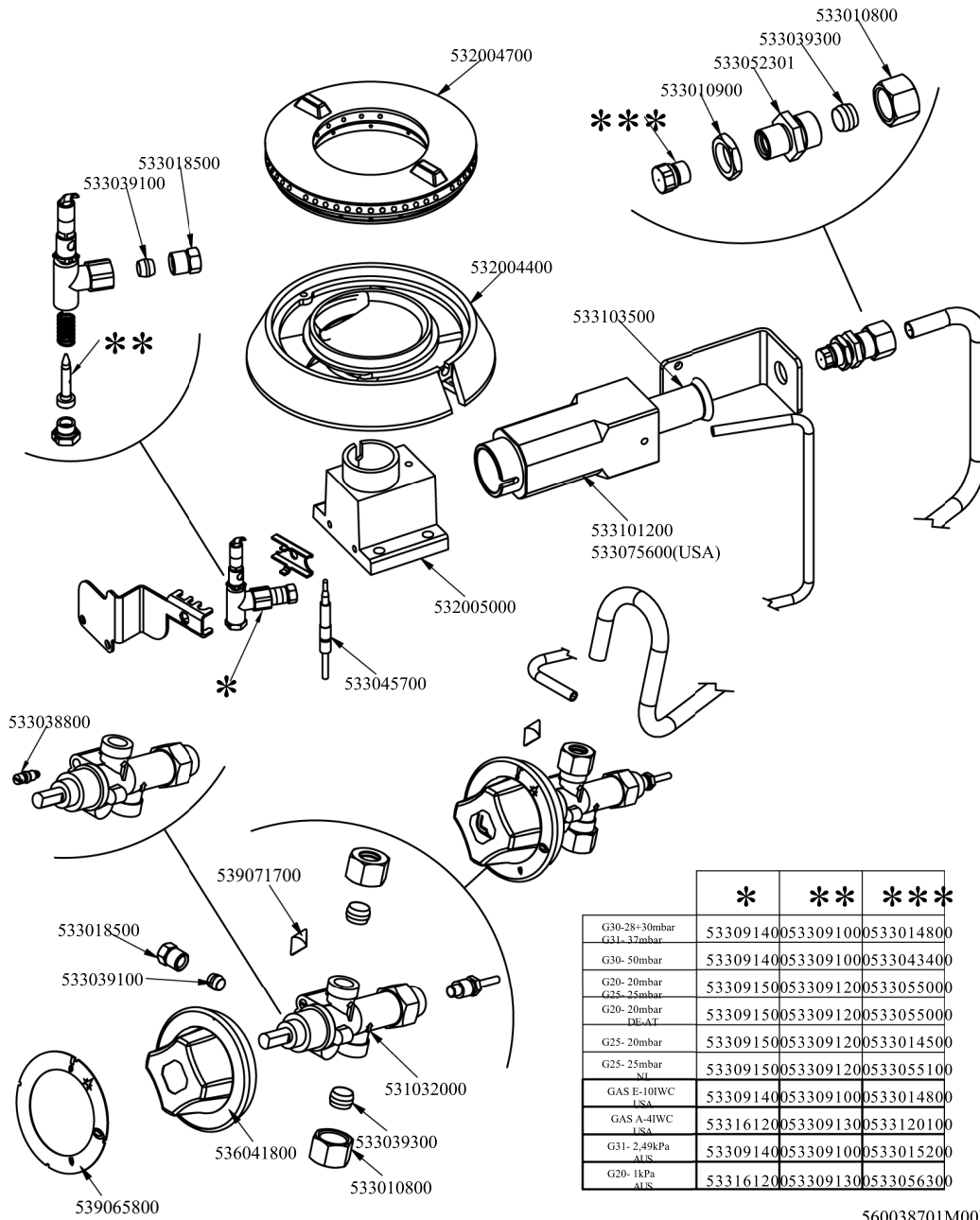


560043701M00P00





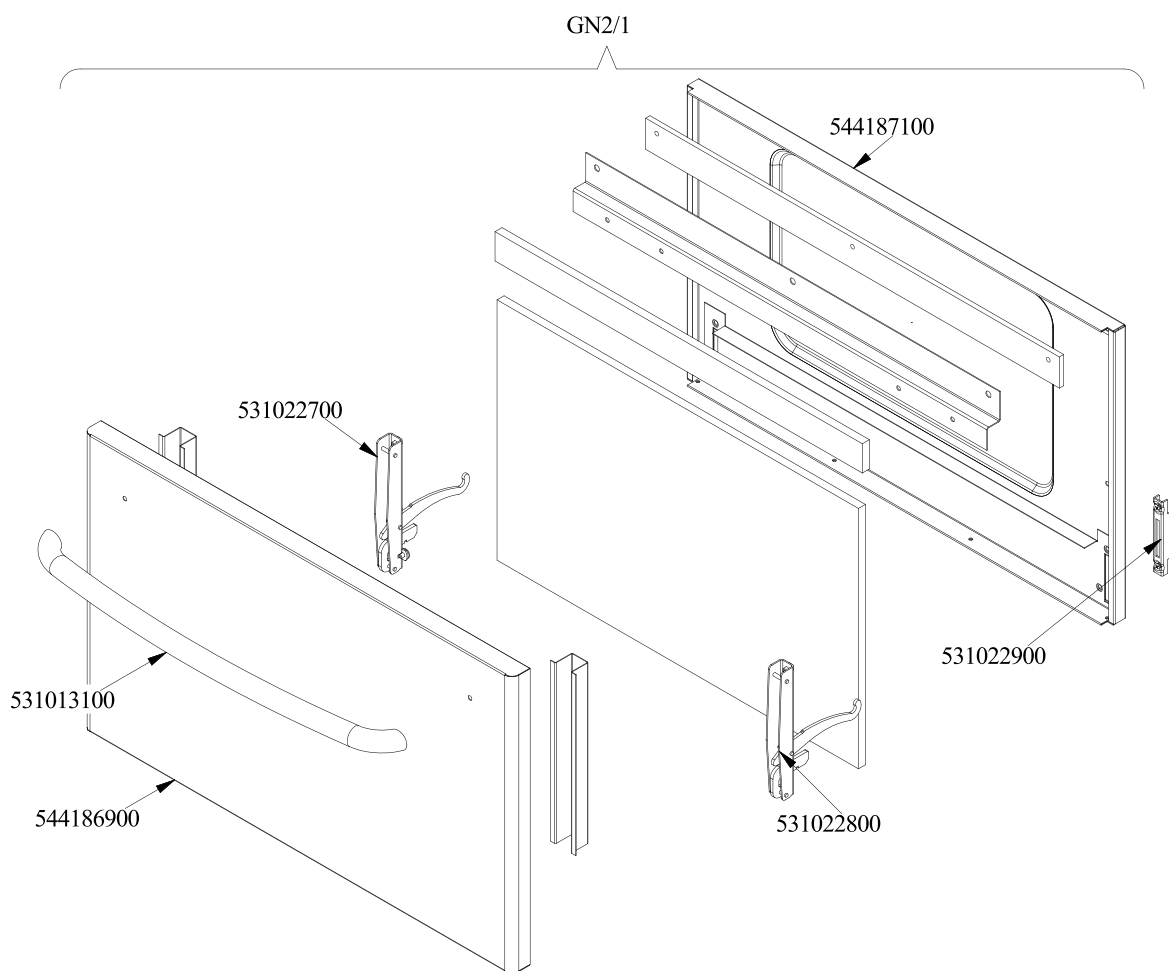
Objednací kód	Popis v ENG
533037600	LOCK SPRING FOR BULB
544198900	70 ELECTRICAL OVEN BOTTOM GN2/1
531030200	OVEN GRID GN 2/1 FOR 70 LINE
531062000	OVEN GRID GN 2/1 FOR 70 LINE
531030201	GRID FOR OVEN GN2/1 70L
531062001	
531030500	LHD SUPPORT GRID FOR OVEN OF 70LINE
531062300	LHD SUPPORT GRID FOR OVEN OF 70LINE
531076100	
531062301	
531030400	RHD SUPPORT GRID FOR OVEN OF 70LINE
531062200	RHD SUPPORT GRID FOR OVEN OF 70LINE
531062201	



	*	**	***
G30-28+30mbar G31-37mbar	533091400	533091000	533014800
G30-50mbar	533091400	533091000	533043400
G20-20mbar G25-25mbar	533091500	533091200	533055000
G20-20mbar DE-AT	533091500	533091200	533055000
G25-20mbar	533091500	533091200	533014500
G25-25mbar M	533091500	533091200	533055100
GAS E-10IWC USA	533091400	533091000	533014800
GAS A-4IWC USA	533161200	533091300	533120100
G31-2,49kPa ALIS	533091400	533091000	533015200
G20-1kPa ALIS	533161200	533091300	533056300



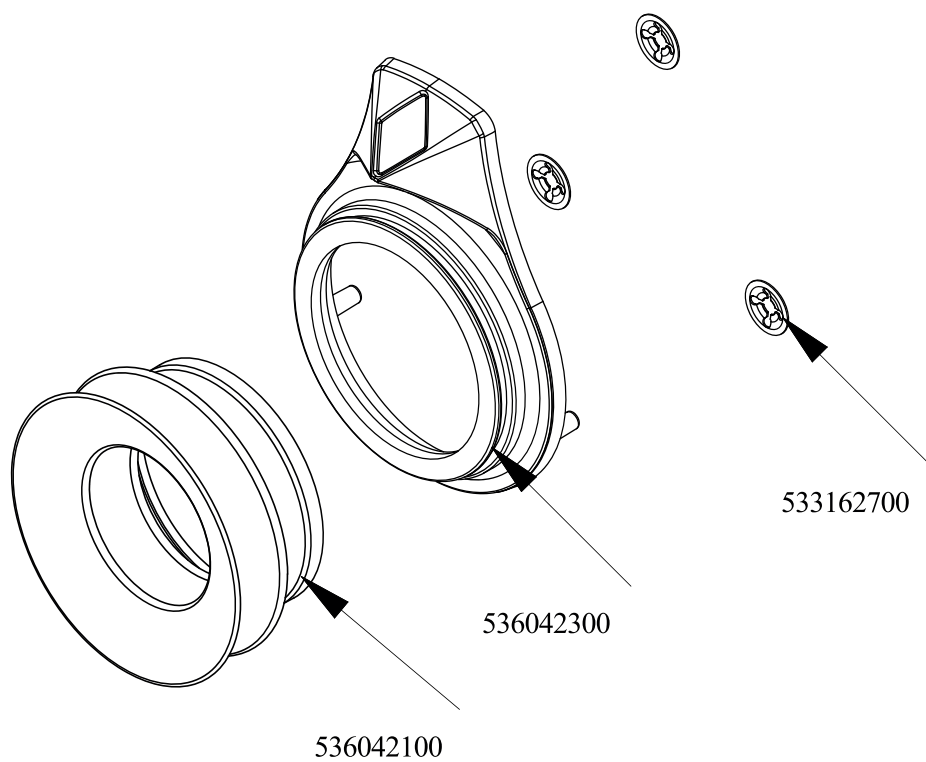
Objednací kód	Popis v ENG
533010900	NUT M14*1 H.4
533052301	JOINT FOR NOZZLE HOLDER
533039300	BICONE §10
533010800	TUBE NUT D.10 M16*1,5
532004400	BIG BURNER BODY 70LINE P.
532004700	BURNER COVER RING UR D128
533103500	AIR ADJUSTMENT BUSHING D22 EST.H57
532005000	ELBOW FITTING OF BURNER VENTURI UR
533039100	BICONE §6
533018500	FITTING FOR BICONE D.6 M10*1
533038800	75 BY-PASS FOR 21S TAP
533045700	THERMOCOUPLE M9*1 500
531032000	GAS COCK P.V.BY-PASS Ø075
539071700	ADHES.LABEL FOR RING GREEN SIGN.
536041800	SILVER CHROM. KNOB Ø77 4P.G.Ø08X6,5
539065800	BLACK STICKING DISK 72
533101200	BURNER VENTURI UR
533075600	BURNER VENTURI 7,5KW S70 USA
533091400	P.NOZZLE S100 UG.§20 PC90 LPG-FLUS
533091500	PILOT NOZZLE S.100 §30 PC90 NAT.GAS
533161200	
533091000	NOZZLE 0.100 §20
533091200	PILOT NOZZLE 0100 Ø35 PIL.PC
533091300	PILOT NOZZLE 0100 Ø40 PIL.PC
533014800	NOZZLE §135 CH12*14,0
533043400	NOZZLE §117 CH12*14 G-PC4 UR
533055000	NOZZLE §205 CH12*14 G25 CW4
533014500	NOZZLE §225 CH12*14 OVEN GN 2/1
533055100	NOZZLE §215 CH12*14 L-CW4
533120100	NOZZLE §210 CH12*14,0
533015200	NOZZLE §145 CH12*14 F-FP/CP6
533056300	NOZZLE §240 CH12*14



560099800M01P00



Objednací kód	Popis v ENG
GN2/1	PROCESSING CODE
544187100	OVEN INNER DOOR GN 2/1 70/90LINE
531022800	531022800N DOOR HINGE S.70
531013100	OVEN DOOR HANDLE OF 70/90-LINE
544186900	OVEN DOOR GN 2/1 70/90LINES
531022700	LEFT OVEN DOOR HINGE 70LINE
531022900	HINGE ROLLER HOLDER FOR 700-OVEN
GN3/1	PROCESSING CODE
541102300	GAS OVEN INNER DOOR GN 3/1 S.70
531022800	531022800N DOOR HINGE S.70
531013100	OVEN DOOR HANDLE OF 70/90-LINE
544187000	OVEN DOOR GN 3/1 S.70
531022700	LEFT OVEN DOOR HINGE 70LINE
531022900	HINGE ROLLER HOLDER FOR 700-OVEN



560125700M00P00



Objednačí kód	Popis v ENG
536042300	SILVER CHROM. RING FOR KNOB Ø77 4 P
536042100	SEAL CASING FOR KNOB Ø77 4 P
533162700	PROCESSING CODE