

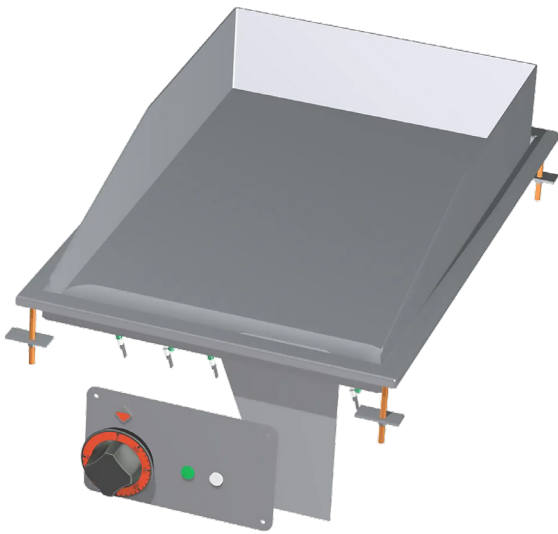
Technical data sheet

Product features



Fry-top griddle plate 36x55 drop-in electric smooth 400 V

Model	SAP Code	00007454
--------------	-----------------	----------



- Top type: Smooth
- Griddle dimensions [mm x mm]: 600 x 400
- Griddle thickness [mm]: 14.00
- Worktop material: Stainless steel
- Grid size [mm x mm]: 450 x 395
- Container for liquid fat: Yes
- Maximum device temperature [°C]: 300
- Removable rim: Yes

SAP Code	00007454	Loading	400 V / 3N - 50 Hz
Net Width [mm]	400	Griddle dimensions [mm x mm]	600 x 400
Net Depth [mm]	600	Grid size [mm x mm]	450 x 395
Net Height [mm]	220	Top type	Smooth
Net Weight [kg]	25.00	Worktop type	Molded - comfortable cleaning maintenance
Power electric [kW]	4.500		

Technical data sheet

Technical drawing

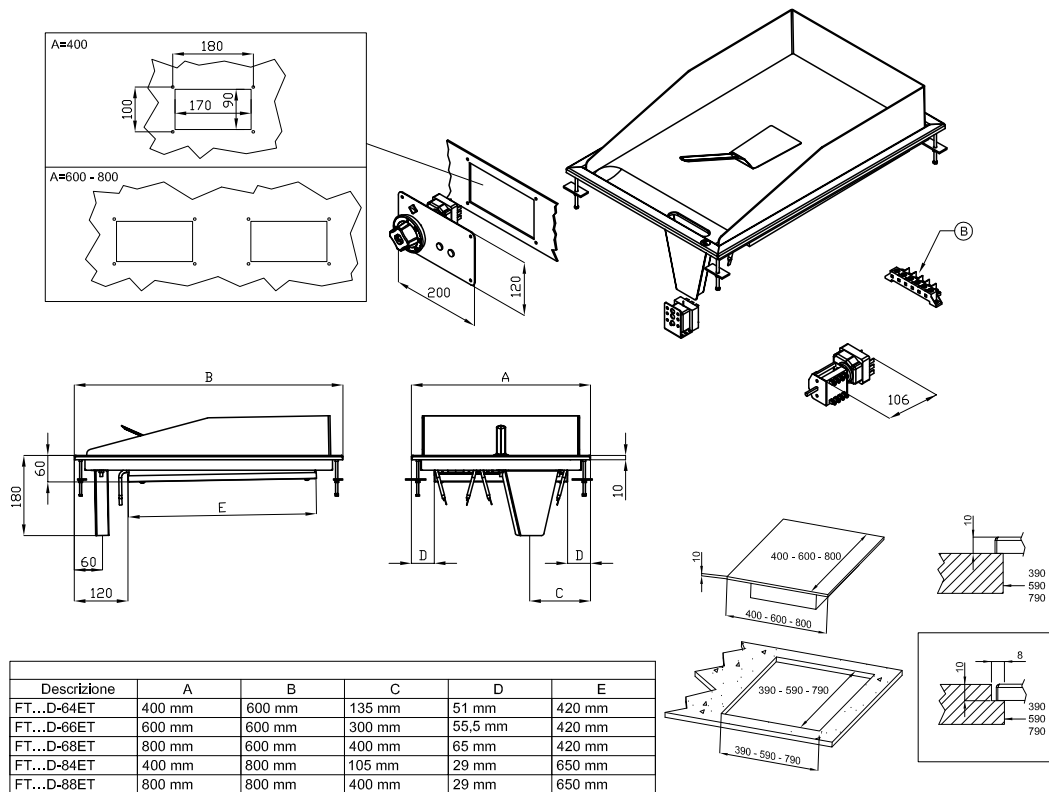


Fry-top griddle plate 36x55 drop-in electric smooth 400 V

Model

SAP Code

00007454



A	Data plate		B	Electrical connection	
---	------------	--	---	-----------------------	--

Technical data sheet

Product benefits



Fry-top griddle plate 36x55 drop-in electric smooth 400 V

Model

SAP Code

00007454

1

All-stainless design

long life
resistance of AISI 304 stainless steel material
the material does not cut

- savings on service interventions
- easier and faster operation

2

Degree of protection of the control elements IPX5

maintenance-free system
resistance to splash water
long life

- savings on service interventions
- easy cleaning and maintenance of equipment

3

Built-in cooking unit

variable use
the possibility of placement in smaller spaces

- easy handling
- cost savings on substructure

4

High detachable hem

better hygienic conditions
preventing grease from splashing onto
ancillary equipment

- easy maintenance
- easy cleaning

5

Smooth steel plate

good heat transfer and the surface does not get scratched
enables preparation on smooth or grooved plates

- time-saving for food preparation
- no reheating and long cooking times

Technical data sheet

Technical parameters



Fry-top griddle plate 36x55 drop-in electric smooth 400 V

Model

SAP Code

00007454

1. SAP Code:

00007454

2. Net Width [mm]:

400

3. Net Depth [mm]:

600

4. Net Height [mm]:

220

5. Net Weight [kg]:

25.00

6. Gross Width [mm]:

430

7. Gross depth [mm]:

630

8. Gross Height [mm]:

470

9. Gross Weight [kg]:

30.00

10. Device type:

Electric unit

11. Construction type of device:

Drop-in

12. Power electric [kW]:

4.500

13. Loading:

400 V / 3N - 50 Hz

14. Protection of controls:

IPX5

15. Device color:

Stainless steel

16. Material:

Stainless steel

17. Indicators:

operation and warm-up

18. Worktop type:

Molded - comfortable cleaning maintenance

19. Worktop material:

Stainless steel

20. Worktop Thickness [mm]:

14.00

21. Standard equipment for device:

comes with a stainless steel scraper for cleaning pastries

22. Maximum device temperature [°C]:

300

23. Minimum device temperature [°C]:

50

24. Service accessibility:

Trough the frontal panel

25. Safety thermostat:

Yes

26. Adjustable feet:

No

27. Griddle dimensions [mm x mm]:

600 x 400

28. Griddle thickness [mm]:

14.00

Technical data sheet

Technical parameters



Fry-top griddle plate 36x55 drop-in electric smooth 400 V

Model

SAP Code

00007454

29. Container for liquid fat:

Yes

31. Grid size [mm x mm]:

450 x 395

30. Removable rim:

Yes

32. Top type:

Smooth