

# Technical data sheet

## Product features



### Cooking range electric 4 zones

<b>Model</b>	<b>SAP Code</b>	00013601
--------------	-----------------	----------



- Device type: Electric unit
- Power consumption of the zone 1 [kW]: 3,5
- Power consumption of the zone 2 [kW]: 3,5
- Power consumption of the zone 3 [kW]: 3,5
- Power consumption of the zone 4 [kW]: 3,5
- Material: AISI 304

<b>SAP Code</b>	00013601	<b>Number of zones</b>	4
<b>Net Width [mm]</b>	800	<b>Power consumption of the zone 1 [kW]</b>	3,5
<b>Net Depth [mm]</b>	900	<b>Power consumption of the zone 2 [kW]</b>	3,5
<b>Net Height [mm]</b>	280	<b>Power consumption of the zone 3 [kW]</b>	3,5
<b>Net Weight [kg]</b>	58.00	<b>Power consumption of the zone 4 [kW]</b>	3,5
<b>Power electric [kW]</b>	14.000	<b>Diameter of device [mm]</b>	300
<b>Loading</b>	400 V / 3N - 50 Hz		

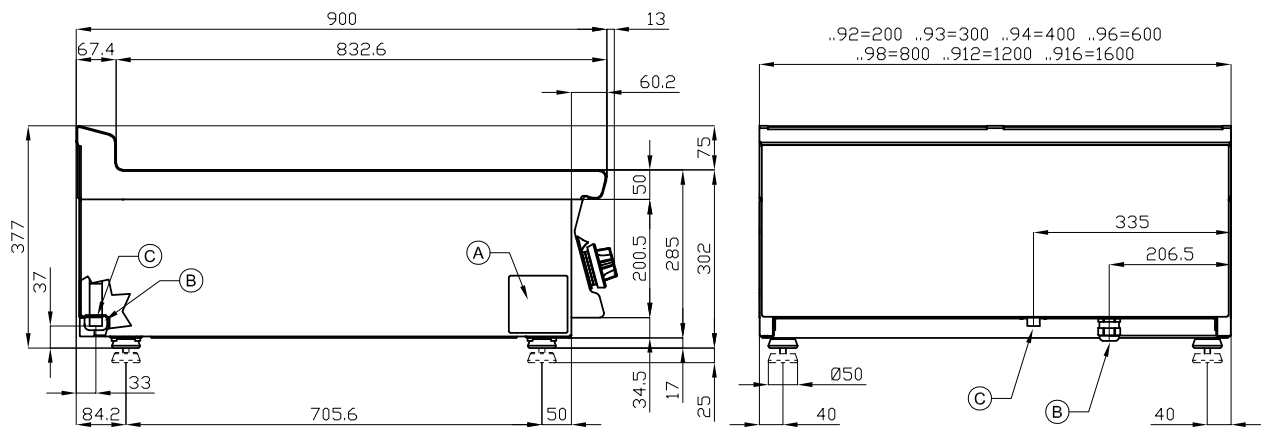
# Technical data sheet

Technical drawing



## Cooking range electric 4 zones

<b>Model</b>	<b>SAP Code</b>	00013601
--------------	-----------------	----------



A	Data plate		B	Electrical connection	
---	------------	--	---	-----------------------	--

# Technical data sheet

Technical parameters



## Cooking range electric 4 zones

Model

SAP Code

00013601

### 1. SAP Code:

00013601

### 2. Net Width [mm]:

800

### 3. Net Depth [mm]:

900

### 4. Net Height [mm]:

280

### 5. Net Weight [kg]:

58.00

### 6. Gross Width [mm]:

830

### 7. Gross depth [mm]:

970

### 8. Gross Height [mm]:

540

### 9. Gross Weight [kg]:

68.00

### 10. Device type:

Electric unit

### 11. Power electric [kW]:

14.000

### 12. Loading:

400 V / 3N - 50 Hz

### 13. Device color:

Stainless steel

### 14. Material:

AISI 304

### 15. Worktop type:

Molded - comfortable cleaning maintenance

### 16. Worktop material:

AISI 304

### 17. Worktop Thickness [mm]:

2.00

### 18. Number of zones:

4

### 19. Power consumption of the zone 1 [kW]:

3,5

### 20. Power consumption of the zone 2 [kW]:

3,5

### 21. Power consumption of the zone 3 [kW]:

3,5

### 22. Power consumption of the zone 4 [kW]:

3,5

### 23. Maximum device temperature [°C]:

300

### 24. Minimum device temperature [°C]:

50

### 25. Number of power control stages:

7

### 26. Service accessibility:

From the front by removing the front panel and waste fluid containers

# Technical data sheet

Technical parameters



## Cooking range electric 4 zones

**Model**

**SAP Code**

00013601

### 27. Safety element:

internal thermostatic protection of the hotplate against overheating

### 30. Diameter of device [mm]:

300

### 28. Adjustable feet:

Yes

### 31. Type of electric cooking zones:

Oval

### 29. Number of burners/hot plates:

4