

Technical data sheet

Product features



Bain marie electric GN 1/1 - 150 with cabinet

Model	SAP Code	00000068
--------------	-----------------	----------



- Drain type: Through the substructure with connection to waste
- Drain: Yes
- Safety drain: Yes
- Material: Stainless steel
- Protection of controls: IPX5
- Maximum device temperature [°C]: 90

SAP Code	00000068	Power electric [kW]	2.100
Net Width [mm]	400	Loading	230 V / 1N - 50 Hz
Net Depth [mm]	705	Number of GN / EN	1
Net Height [mm]	900	GN / EN size in device	GN 1/1
Net Weight [kg]	31.00	GN device depth	150

Technical data sheet

Technical drawing

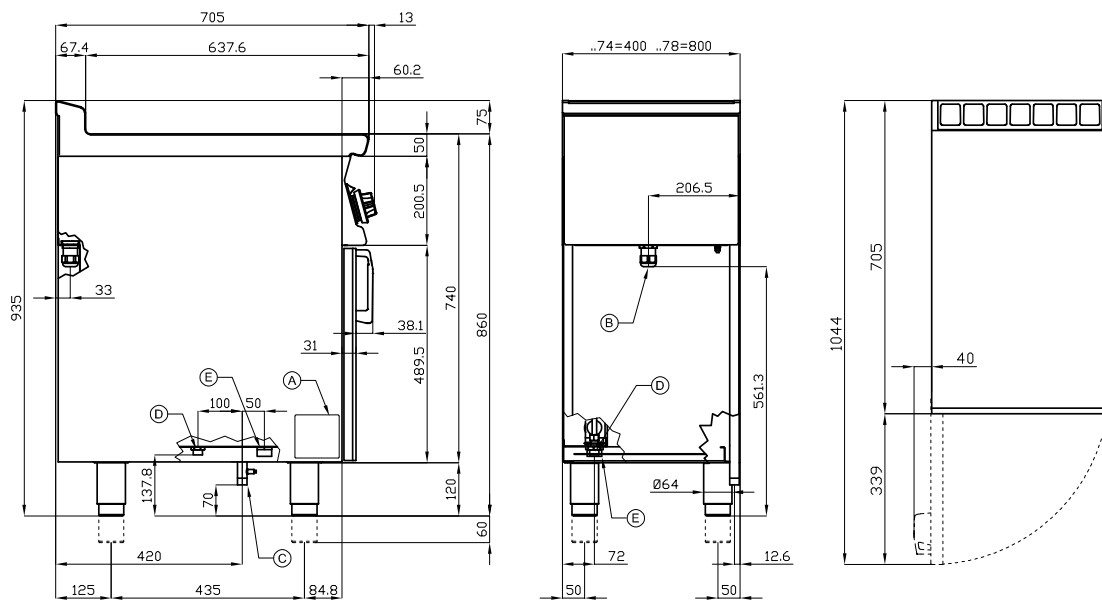


Bain marie electric GN 1/1 - 150 with cabinet

Model

SAP Code

00000068



A	Data plate		B	Electrical connection	
D	Cold water connection	ISO 7-1 1/2" M	E	Water drainage	ISO 7-1 1" M

Technical data sheet

Product benefits



Bain marie electric GN 1/1 - 150 with cabinet

Model

SAP Code

00000068

1

Deep-draft bathtubs

basins without sharp transitions, edges and corners

- easy maintenance
- perfect sanitation

2

All-stainless steel construction

harmless to health for contact with food
robustness

- perfect sanitation
- long service life

3

Drain valve with snap-on elbow for easy draining

safer placement of the drain valve

- valve location and use of an elbow and safety lock prevent unintentional contact and possible scalding

Technical data sheet

Technical parameters



Bain marie electric GN 1/1 - 150 with cabinet

Model

SAP Code

00000068

1. SAP Code:

00000068

2. Net Width [mm]:

400

3. Net Depth [mm]:

705

4. Net Height [mm]:

900

5. Net Weight [kg]:

31.00

6. Gross Width [mm]:

430

7. Gross depth [mm]:

770

8. Gross Height [mm]:

1110

9. Gross Weight [kg]:

41.00

10. Device type:

Electric unit

11. Construction type of device:

With substructure

12. Power electric [kW]:

2.100

13. Loading:

230 V / 1N - 50 Hz

14. Protection of controls:

IPX5

15. Material:

Stainless steel

16. Indicators:

operation and warm-up

17. Drain valve diameter:

3/4"

18. Worktop type:

Molded - comfortable cleaning maintenance

19. Maximum device temperature [°C]:

90

20. Minimum device temperature [°C]:

30

21. Service accessibility:

Trough the frontal panel

22. Safety element:

safety element – thermocouple
outlet safety fuse

23. Safety thermostat:

Yes

24. Adjustable feet:

Yes

25. Additional information:

lid and gastro utensils are not included in the package
door not included can be purchased

26. Number of basins:

1

Technical data sheet

Technical parameters



Bain marie electric GN 1/1 - 150 with cabinet

Model

SAP Code

00000068

27. Drain type:

Through the substructure with connection to waste

31. GN / EN size in device:

GN 1/1

28. Drain:

Yes

32. GN device depth:

150

29. Safety drain:

Yes

33. Drain connection:

Yes

30. Number of GN / EN:

1