

Technical data sheet

Product features



Cooking range glass ceramic electric 2x plate on open cabinet 400 V

Model	SAP Code	00005902
--------------	-----------------	----------



- Device type: Electric unit
- Power consumption of the zone 1 [kW]: 3,4
- Power consumption of the zone 2 [kW]: 3,4
- Protection of controls: IPX5
- Material: AISI 304

SAP Code	00005902	Power electric [kW]	6.800
Net Width [mm]	400	Loading	400 V / 3N - 50 Hz
Net Depth [mm]	900	Number of zones	2
Net Height [mm]	900	Power consumption of the zone 1 [kW]	3,4
Net Weight [kg]	36.00	Power consumption of the zone 2 [kW]	3,4

Technical data sheet

Technical drawing

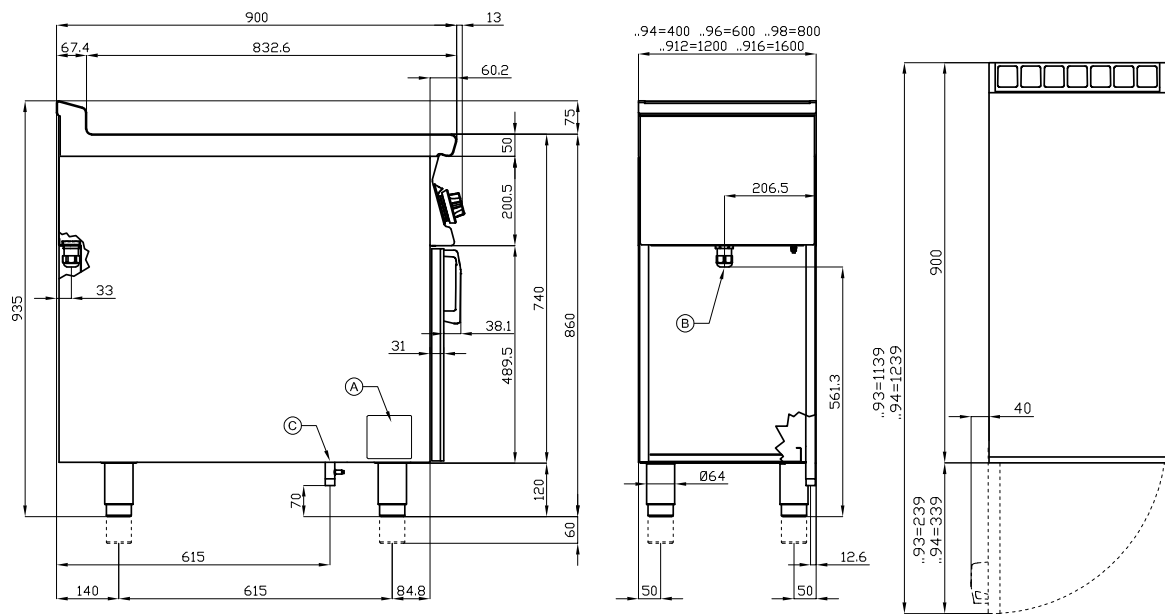


Cooking range glass ceramic electric 2x plate on open cabinet 400 V

Model

SAP Code

00005902



A	Data plate	B	Electrical connection
---	------------	---	-----------------------

Technical data sheet

Product benefits



Cooking range glass ceramic electric 2x plate on open cabinet 400 V

Model

SAP Code

00005902

1

Glass ceramic surface

- quick warm-up
- uniform heating and residual heat indicator
 - saving time in food preparation
 - no reheating and long cooking times
 - material does not rust

2

Internal thermostatic plate protection

- longer service life of the plates
 - no overheating of the plates and no cracking

3

Degree of protection of the control elements IPX5

- maintenance-free system
- resistance to splash water
- long life
 - savings on service interventions
 - easy cleaning and maintenance of equipment

4

All-stainless design

- the material does not cut
- wear resistance of the material
- long life
 - savings on service interventions
 - easy cleaning and maintenance of equipment

5

Hygienic moldings of the top plate

- absence of sharp corners and edges (potential places where dirt could stick)
- smooth transitions
 - easy quick cleaning

Technical data sheet

Technical parameters



Cooking range glass ceramic electric 2x plate on open cabinet 400 V

Model

SAP Code

00005902

1. SAP Code:

00005902

2. Net Width [mm]:

400

3. Net Depth [mm]:

900

4. Net Height [mm]:

900

5. Net Weight [kg]:

36.00

6. Gross Width [mm]:

430

7. Gross depth [mm]:

970

8. Gross Height [mm]:

1110

9. Gross Weight [kg]:

48.00

10. Device type:

Electric unit

11. Construction type of device:

With substructure

12. Power electric [kW]:

6.800

13. Loading:

400 V / 3N - 50 Hz

14. Protection of controls:

IPX5

15. Material:

AISI 304

16. Worktop type:

Molded - comfortable cleaning maintenance

17. Worktop material:

Glass ceramics

18. Worktop Thickness [mm]:

2.00

19. Number of zones:

2

20. Power consumption of the zone 1 [kW]:

3,4

21. Power consumption of the zone 2 [kW]:

3,4

22. Maximum device temperature [°C]:

300

23. Minimum device temperature [°C]:

50

24. Number of power control stages:

7

25. Service accessibility:

From the front by removing the front panel and waste fluid containers

26. Safety thermostat:

Yes

27. Adjustable feet:

Yes

28. Number of burners/hot plates:

2

Technical data sheet

Technical parameters



Cooking range glass ceramic electric 2x plate on open cabinet 400 V

Model

SAP Code

00005902

29. Type of electric cooking zones:

Glass ceramic