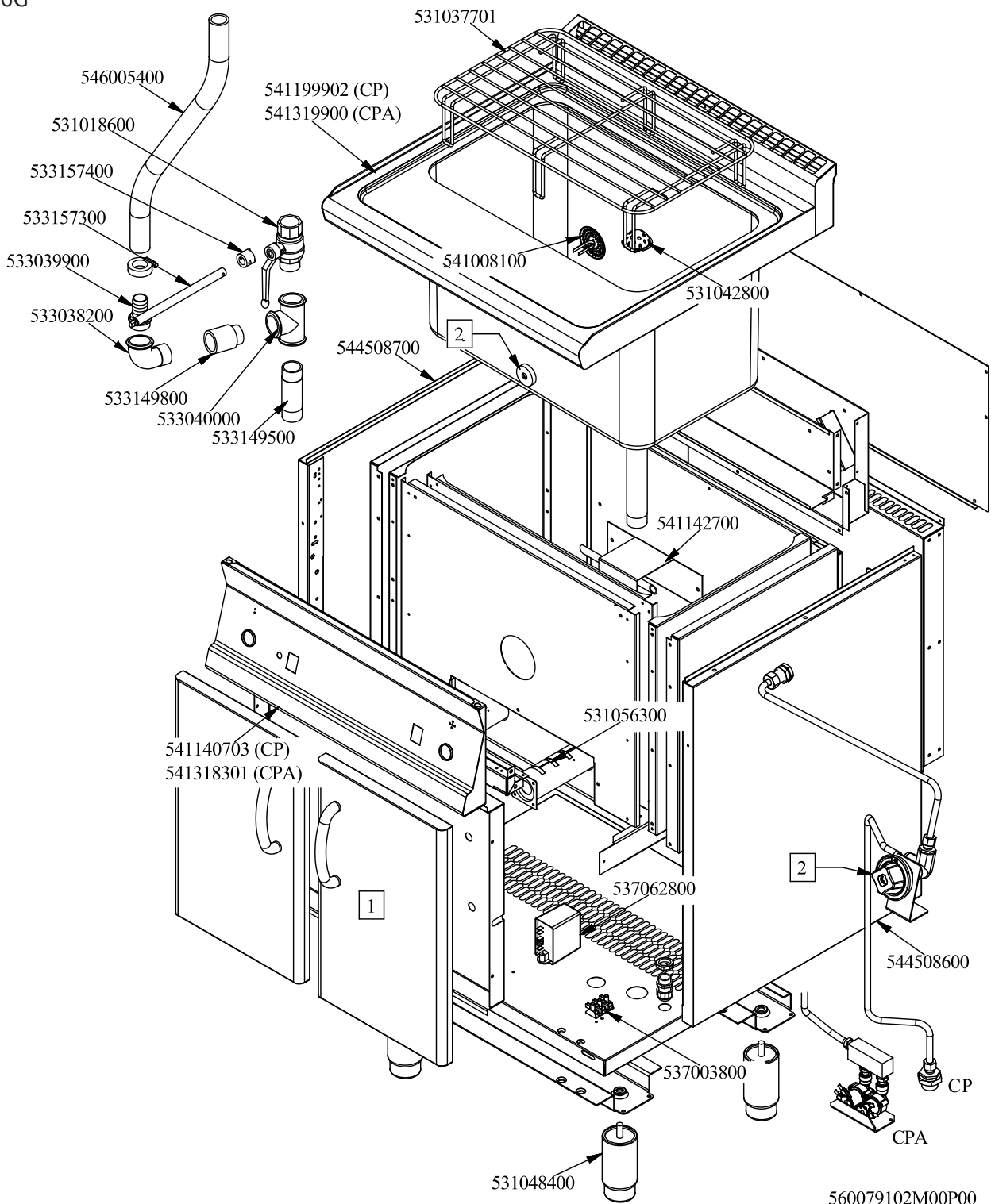


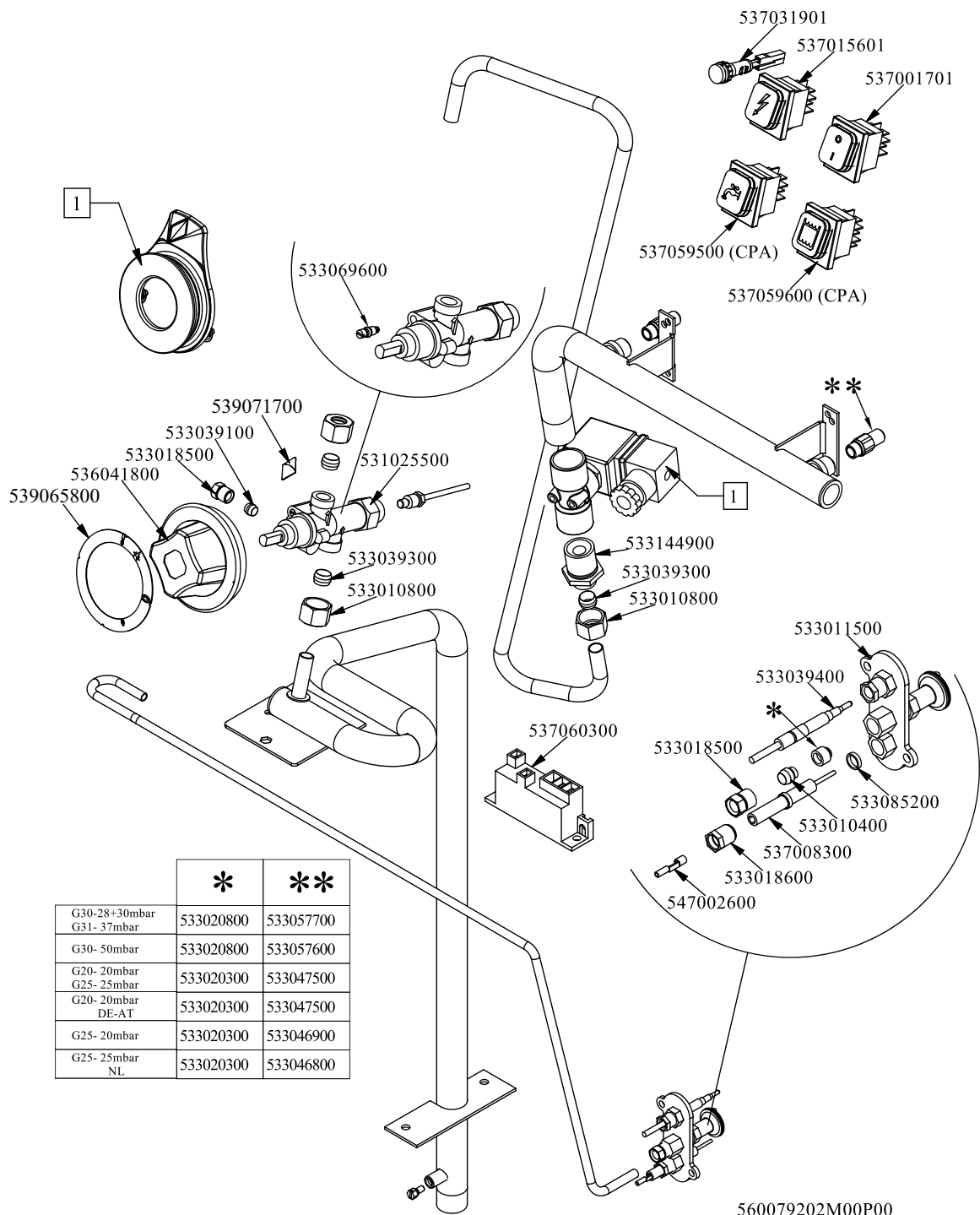


RM 600
 Platný od 1.5. 2019
 CP-66G





Objednací kód	Popis v ENG
546005400	RUBBER TUBE §25INT.*§33EXT.*L=470
533039900	PIPE HOLDER 1" G M D.24
533157300	
533157400	
531018600	BALL VALVE 1"G M-F CPM-62G
533038200	1" G M-F ELBOW FITTING
533149500	
533149800	
533040000	1"G F-F-F "T" FITTING
541142700	BURNER SUPPORT FT-76G CP-76G
541140703	
541199902	
531056300	BURNER TUB.07 KW CP-76G S70
531037701	BASKET SUPPORT GRID CP S.90
541008100	DRAIN FILTER TANK CP 700LINE
531042800	SEMISPHERE FILTER
544508600	
537062800	WATER SENSOR CENTRAL BOX 230V
544508700	
537003800	TERMINAL BLOCK 3POLES 16A
531048400	INOX LEG Ø1"3/4 100-165 M10
-	-
-	-

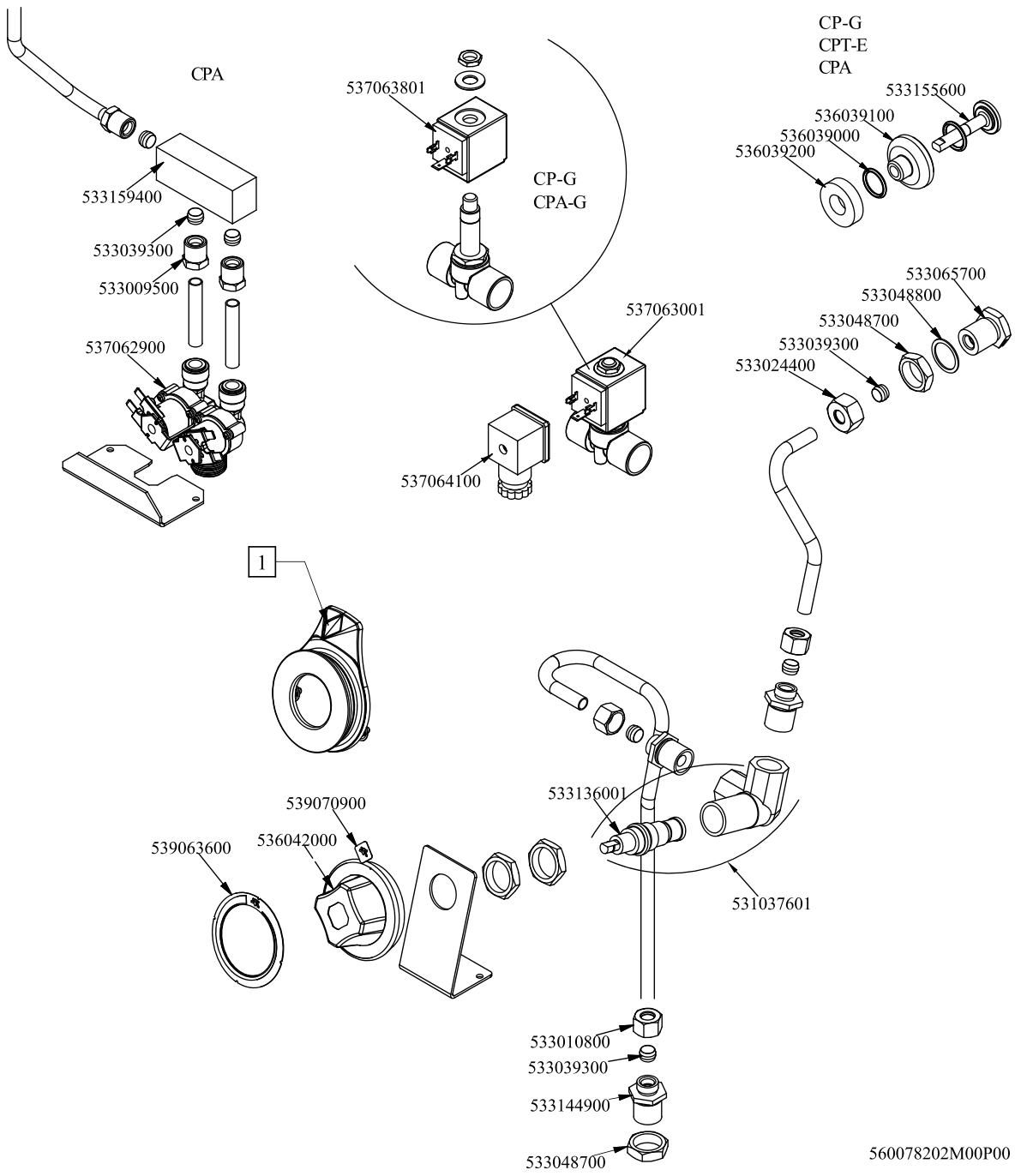


	*	**
G30- 28+30mbar G31- 37mbar	533020800	533057700
G30- 50mbar	533020800	533057600
G20- 20mbar G25- 25mbar	533020300	533047500
G20- 20mbar DE-AT	533020300	533047500
G25- 20mbar	533020300	533046900
G25- 25mbar NL	533020300	533046800

560079202M00P00

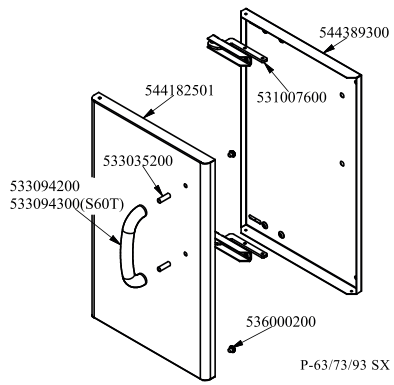


Objednací kód	Popis v ENG
539065800	BLACK STICKING DISK 72
536041800	SILVER CHROM. KNOB Ø77 4P.G.Ø08X6,5
533039300	BICONE §10
533010800	TUBE NUT D.10 M16*1,5
533018500	FITTING FOR BICONE D.6 M10*1
533039100	BICONE §6
539071700	ADHES.LABEL FOR RING GREEN SIGN.
533144900	MALE FITTING WATER INLET M16X1,5
537060300	IGNITION CONTROL BOX 2F. V30
533011500	PILOT BURNER 2 FLAMES 220
533085200	SPACER FOR PILOT PLUG
533010400	BICONE D.6
537008300	ROUND PLUG §2,4- LONG ELECTRODE
533018600	PLUG FITTING
547002600	HIGH-VOLTAGE CABLE L=500
533039400	THERMOCOUPLE M9*1*850
531025500	GAS COCK 21S P.V.BY-PASS Ø130
533069600	BY PASS COCK §130 20S-21S
537031901	RED WARNING LIGHT PCI 12V E FASTON
537015601	START BUTTON-BLACK
537001701	P.D. GREEN SWITCH
533020800	NOZZLE 0160-FLUSS. (25)
533020300	NOZZLE 0160 (NATURAL GAS) 1-2 (41)
533057700	NOZZLE §130A CH12*30 F-BRF74
533057600	NOZZLE §115A CH12*30 G-BRF74
533047500	NOZZLE §205 CH12*30 ML-BM-8G
533046900	NOZZLE §225 CH12*30 G25 F1 25MBAR
533046800	NOZZLE §210 CH12*30 M-F1

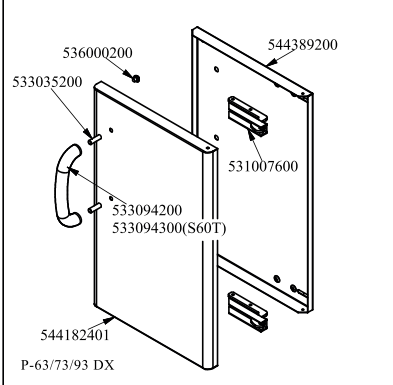




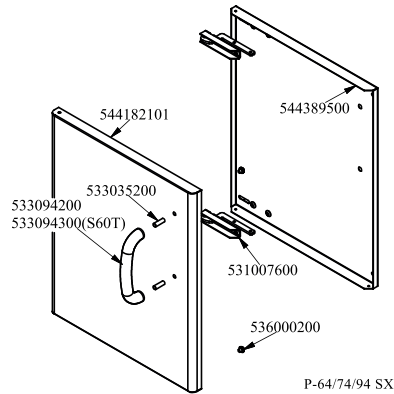
Objednací kód	Popis v ENG
539063600	ADHESIVE DISK 72 FOR DRAIN COCK
536042000	SILVER CHROM. KNOB Ø77 4P.G.Ø8SX6,5
539070900	ADHES.LABEL FOR RING WATER TAP
533136001	SCREW TAP WATER LOAD FOR CP S70/90
533024400	HEXAGONAL NUT 1/2G TUBE D.10
533039300	BICONE §10
533048700	NUT 1/2G ZN
533048800	GASKET §30*§21*2 FIBRE
533065700	FITTING FOR WATER INPUT 1/2G
533010800	TUBE NUT D.10 M16*1,5
531037601	TAP FOR WATER 90°DX CP
537062900	ELECTRO-VALVE 3/4GM-2Ø10JG 230V RPV
533009500	NIPPLE FOR BICONE 10S
533159400	
536039000	GASKET O-RING 12,42X1,78 SILIC.
536039100	GUIDE FOR WATER SENSOR
533155600	PIVOT SENSOR FOR WATER
536039200	SPACER FOR WATER SENSOR
537064100	CONNECTION * ELECTROVALVE 537063001
537063801	
537063001	ELECTROVALVE G 1/2 230V
533144900	MALE FITTING WATER INLET M16X1,5
-	-



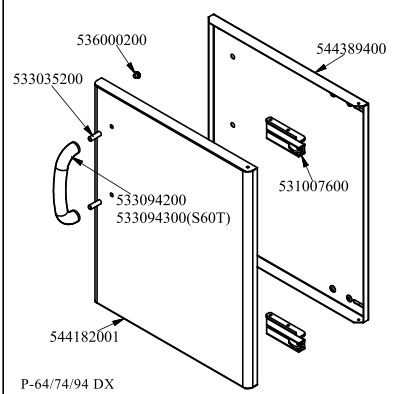
P-63/73/93 SX



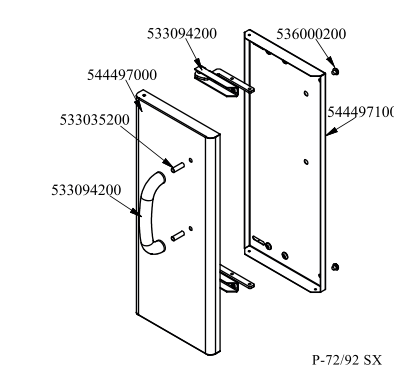
P-63/73/93 DX



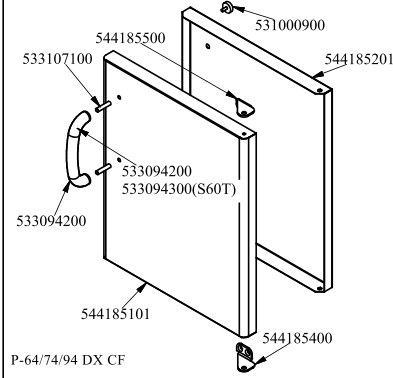
P-64/74/94 SX



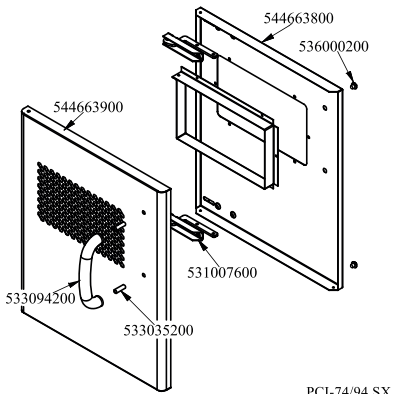
P-64/74/94 DX



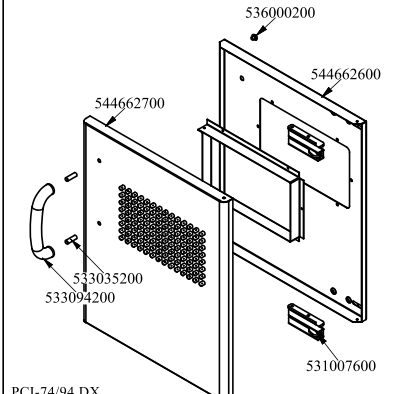
P-72/92 SX



P-64/74/94 DX CF



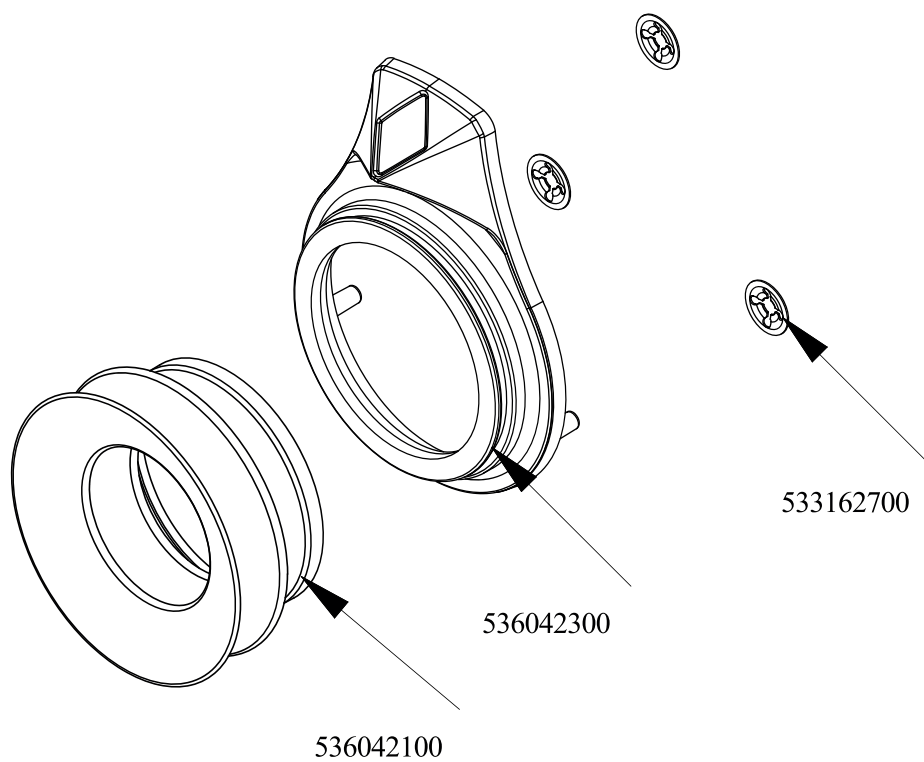
PCI-74/94 SX



PCI-74/94 DX



Objednací kód	Popis v ENG
544185101	RIGHT DOOR 74 CF
533107100	HANDLE SPACER OF CF-70
533094200	S/S HANDLE FOR 70/90 SERIES
544185400	LOWER DOOR HINGE FOR COMPARTME CF70
544185500	UPPER DOOR HINGE FOR COMPARTME CF70
544185201	INNER DOOR * 74DX
531000900	MAGNET §22 KG.3 WITH DISK
536000200	D.12 H.4 BUMPER
544182001	RIGHT DOOR 74
531007600	DOOR HINGE
544389400	
533035200	HANDLE SPACER
544182101	LEFT DOOR 74
544389500	INNER-DOOR OF LHD 74
544182401	RIGHT DOOR 73
544389200	
544389300	
544182501	LEFT DOOR 73
544497000	
544497100	
544663900	LHD 74 DOOR FOR PCI
544663800	74 LHD OVEN INNER DOOR FOUR PCI
544662700	DOOR 74 DX PCI
544662600	
533094300	S/S HANDLE FOR 600T.LINE



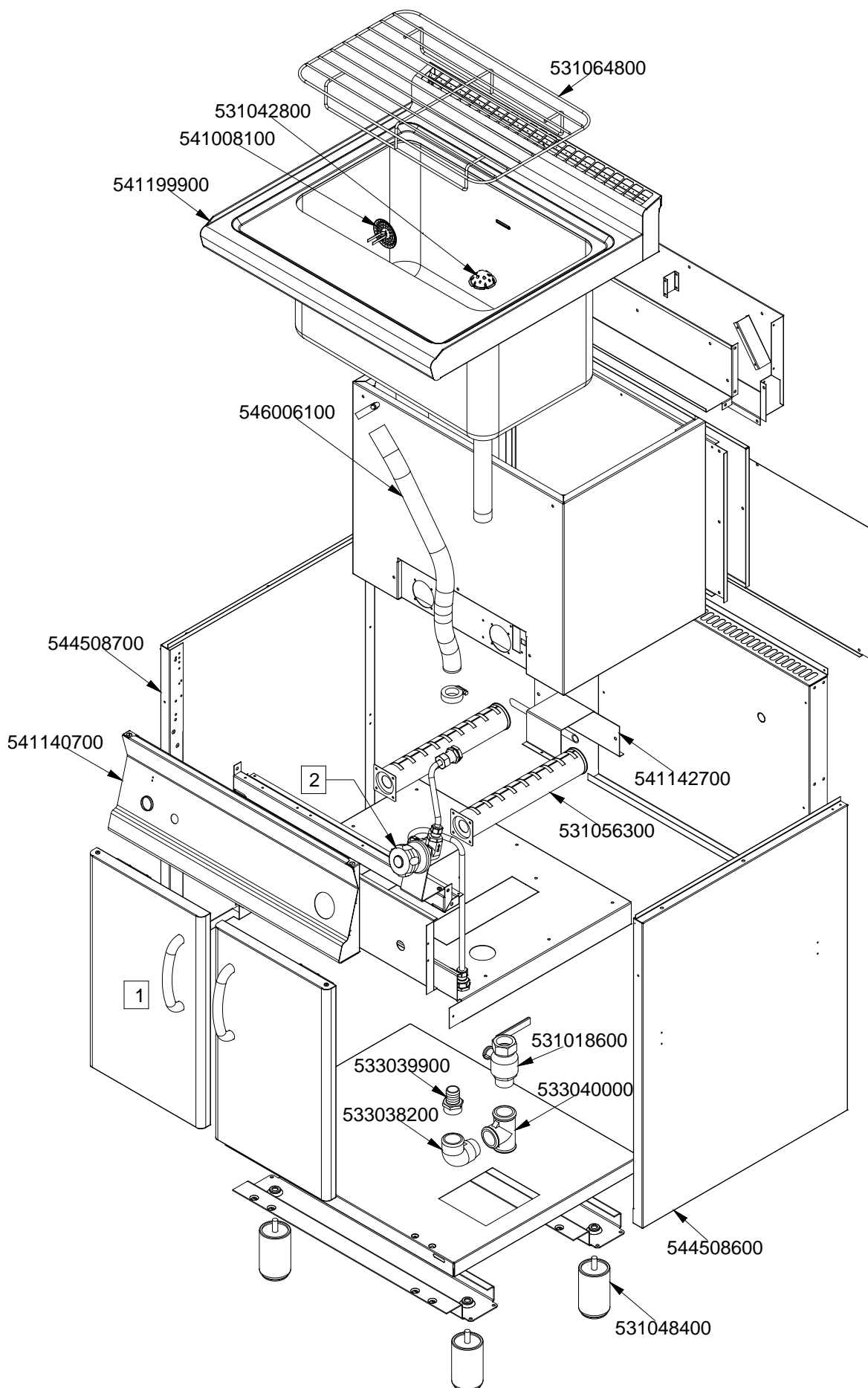
560125700M00P00



Objednací kód	Popis v ENG
536042300	SILVER CHROM. RING FOR KNOB Ø77 4 P
536042100	SEAL CASING FOR KNOB Ø77 4 P
533162700	PROCESSING CODE



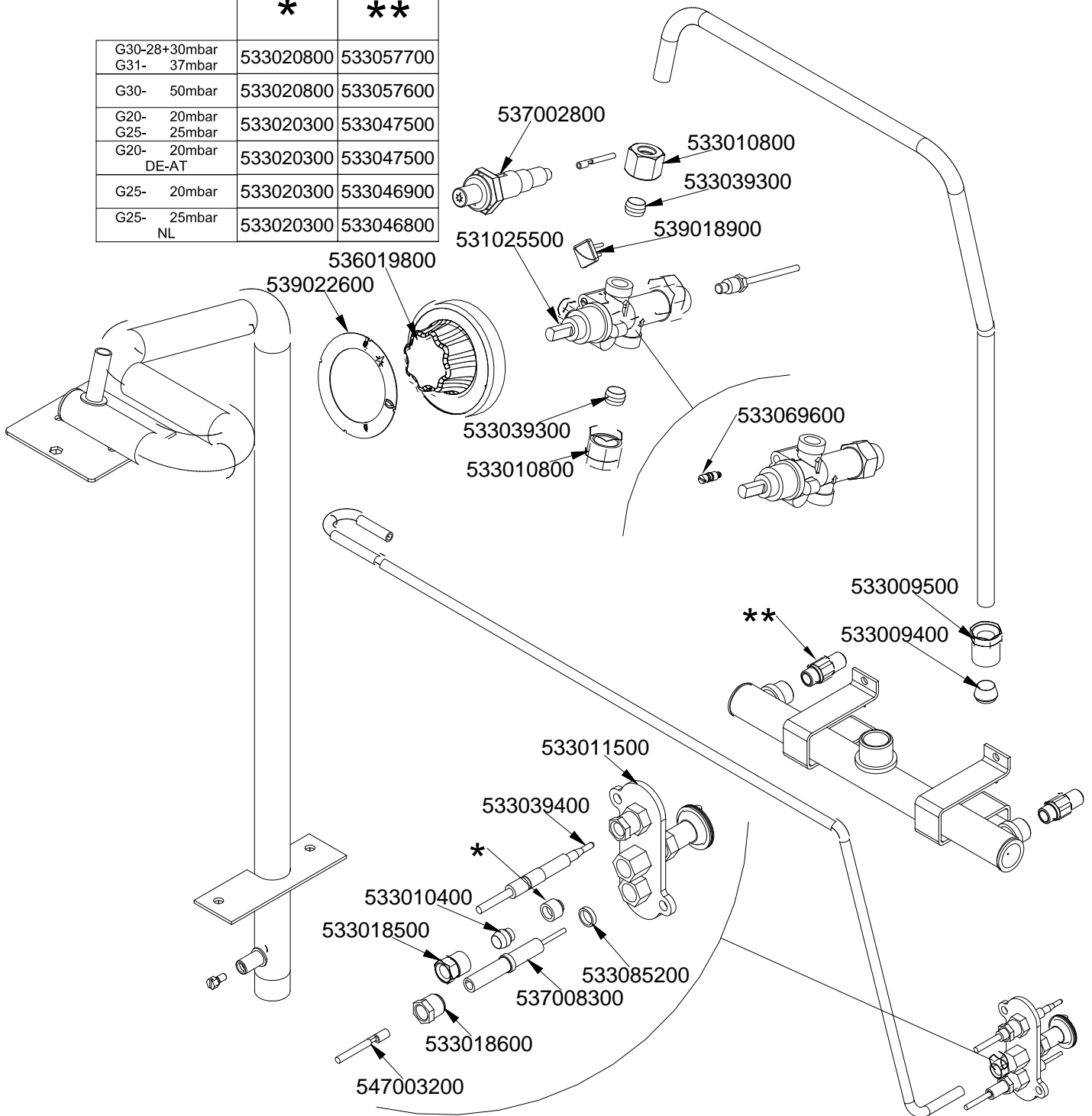
CP - 66 G
 Platnost
 1.5.2016 do
 30.4.2019





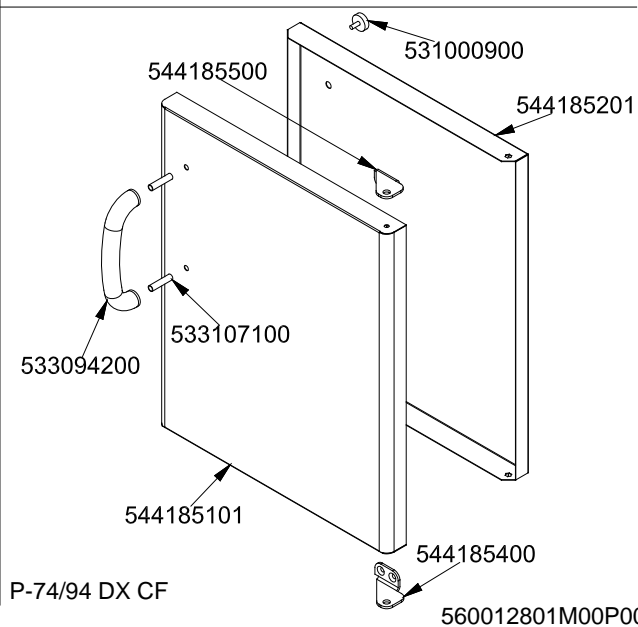
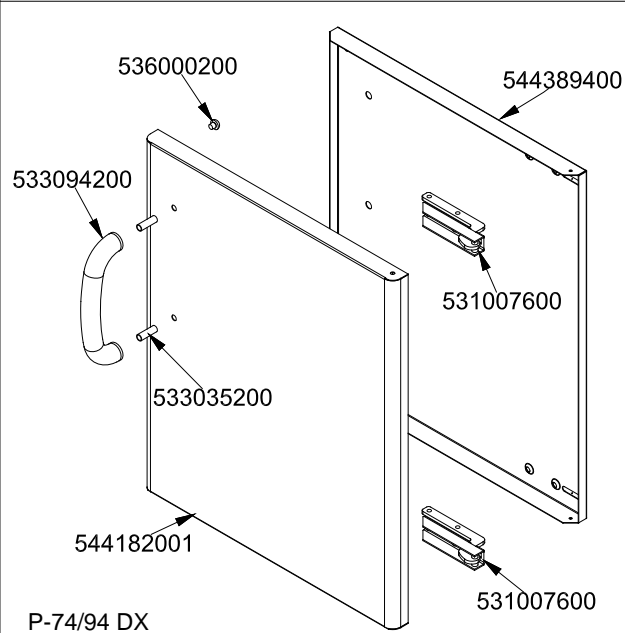
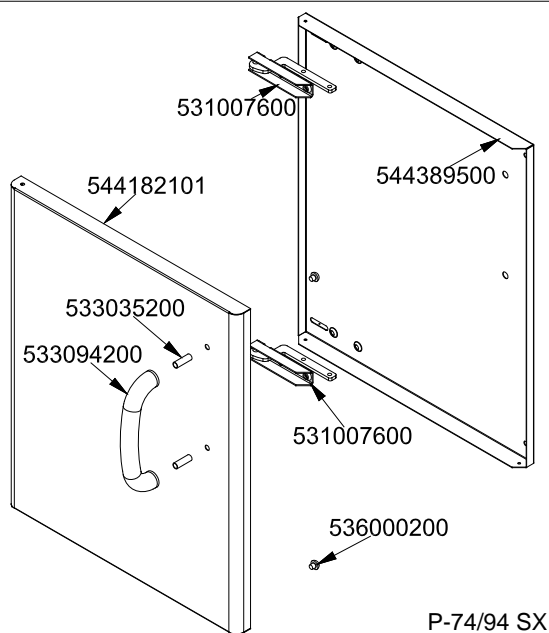
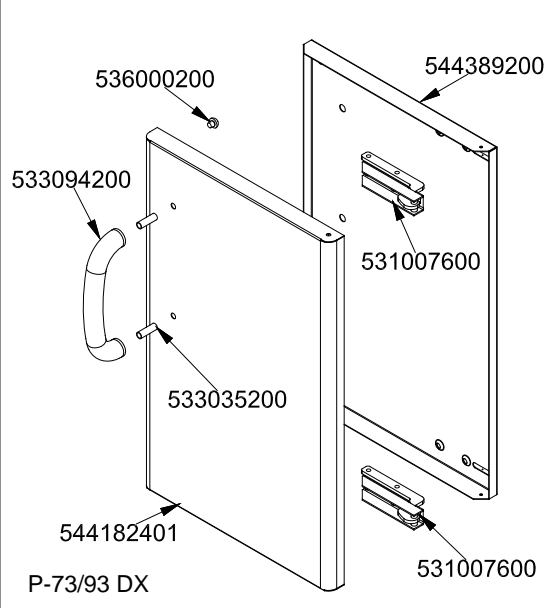
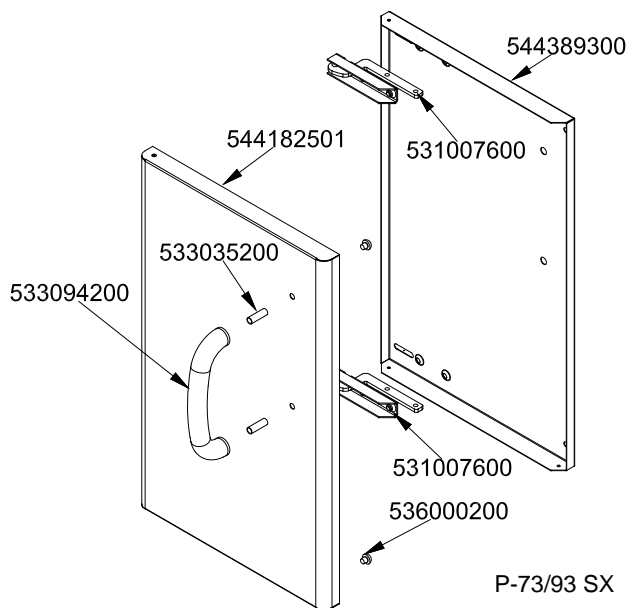
CP - 66 G
Platnost
1.5.2016 do
30.4.2019

	*	**
G30-28+30mbar G31- 37mbar	533020800	533057700
G30- 50mbar	533020800	533057600
G20- 20mbar G25- 25mbar	533020300	533047500
G20- 20mbar DE-AT	533020300	533047500
G25- 20mbar	533020300	533046900
G25- 25mbar NL	533020300	533046800

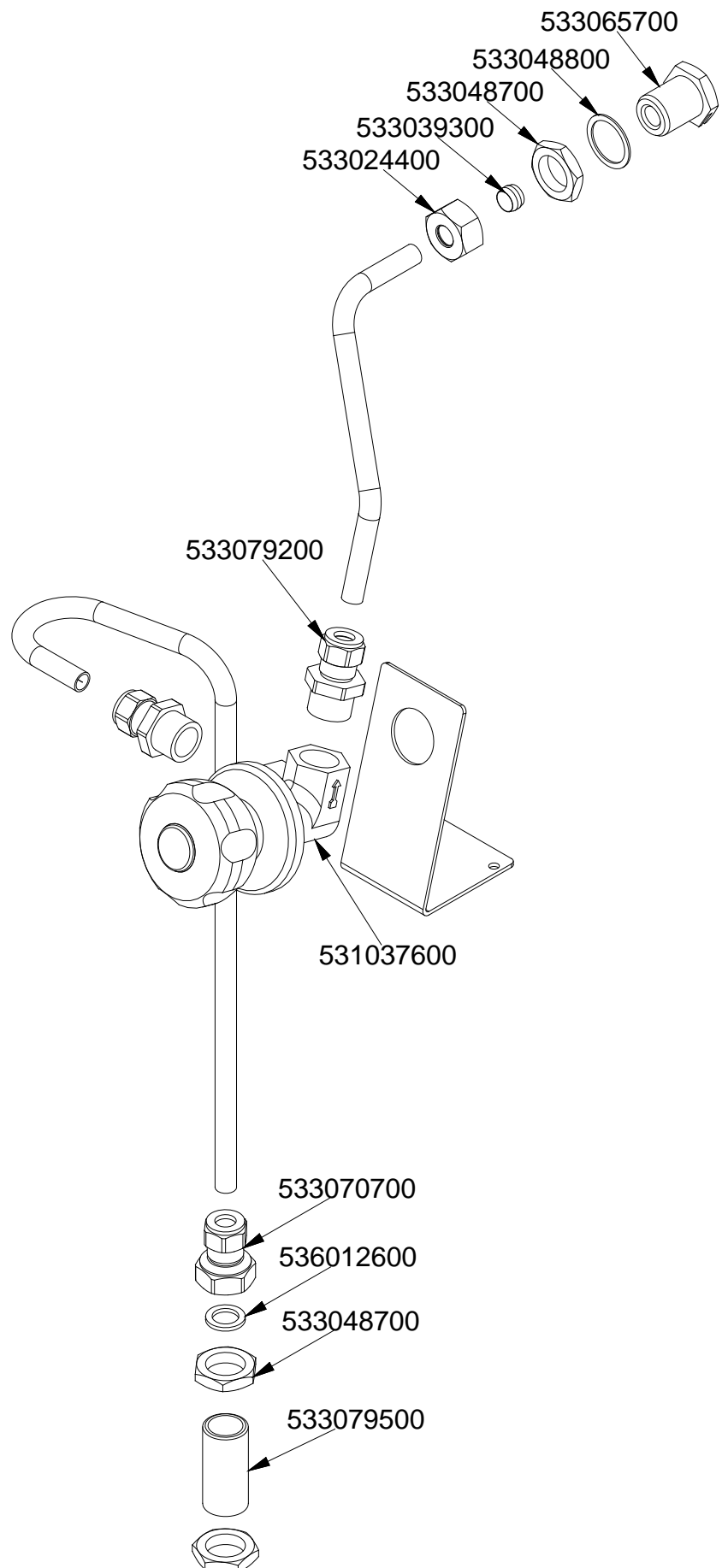




CP - 66 G (1)
Platnost
1.5.2016 do
30.4.2019



CP - 66 G (2)
Platnost
1.5.2016 do
30.4.2019





CP - 66 G

(2)

Platnost

1.5.2016 do

30.4.2019

