

Technical data sheet

Product features



Multi-function fixed braising pan electric 16 l cabinet with door 400 V

Model	SAP Code	00000134
--------------	-----------------	----------



- Bottom material: Stainless steel - suitable for cooking, easy maintenance
- Bottom thickness: 16.00
- Basin volume [l]: 16
- Usable volume [l]: 40
- Filling: Mechanical cock
- Type of pan: Fixed
- Protection of controls: IPX5
- Basin dimensions [mm x mm x mm]: 300 x 680 x 100

SAP Code	00000134	Bottom material	Stainless steel - suitable for cooking, easy maintenance
Net Width [mm]	400	Basin volume [l]	16
Net Depth [mm]	900	Usable volume [l]	40
Net Height [mm]	900	Width of internal part [mm]	300
Net Weight [kg]	69.00	Depth of internal part [mm]	680
Power electric [kW]	5.200	Height of internal part [mm]	100
Loading	400 V / 3N - 50 Hz		

Technical data sheet

Technical drawing

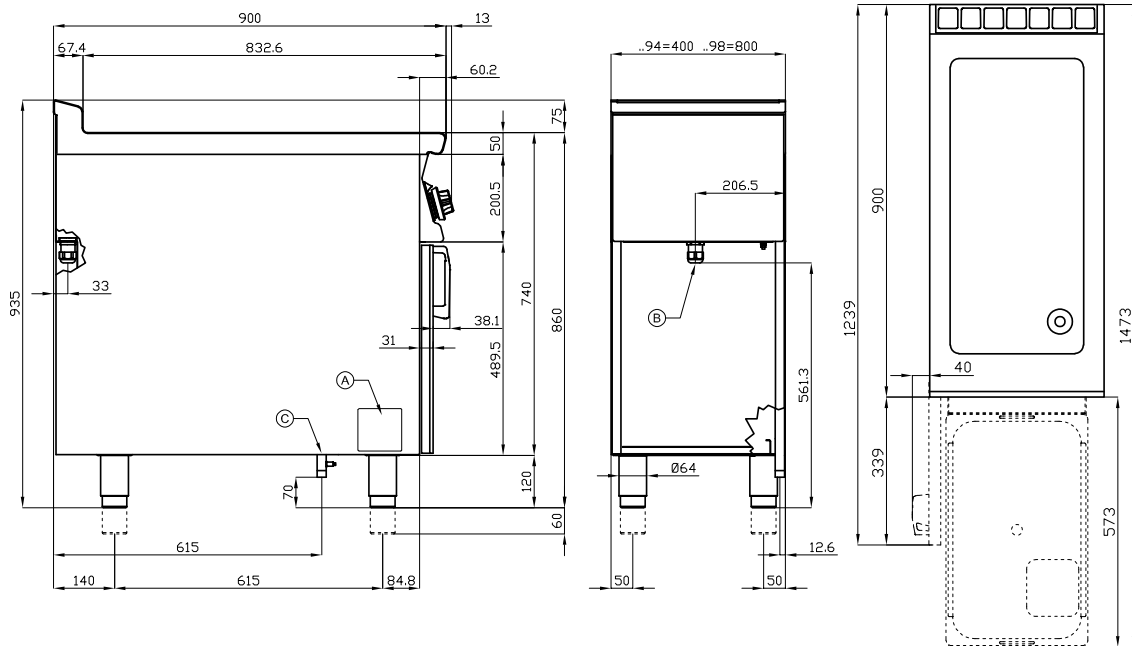


Multi-function fixed braising pan electric 16 l cabinet with door 400 V

Model

SAP Code

00000134



A	Data plate	B	Electrical connection
---	------------	---	-----------------------

Technical data sheet

Product benefits



Multi-function fixed braising pan electric 16 l cabinet with door 400 V

Model

SAP Code

00000134

1

Solid stainless steel bathtub

long life
resistance of AISI 304 stainless steel material
the material does not cut

- savings on service interventions
- easier and faster operation

2

Degree of protection of the control elements IPX5

maintenance-free system
resistance to splash water
long life

- savings on service interventions
- easy cleaning and maintenance of equipment

3

Outlet to a removable collector in the substructure

outlet of the bath into the prepared container

- easy and safe handling

Technical data sheet

Technical parameters



Multi-function fixed braising pan electric 16 l cabinet with door 400 V

Model

SAP Code

00000134

1. SAP Code:

00000134

2. Net Width [mm]:

400

3. Net Depth [mm]:

900

4. Net Height [mm]:

900

5. Net Weight [kg]:

69.00

6. Gross Width [mm]:

430

7. Gross depth [mm]:

970

8. Gross Height [mm]:

1110

9. Gross Weight [kg]:

79.00

10. Device type:

Electric unit

11. Construction type of device:

With substructure

12. Power electric [kW]:

5.200

13. Loading:

400 V / 3N - 50 Hz

14. Protection of controls:

IPX5

15. Device color:

Stainless steel

16. Material:

AISI 304

17. Indicators:

operation and warm-up

18. Worktop type:

Molded - comfortable cleaning maintenance

19. Basin volume [l]:

16

20. Basin dimensions [mm x mm x mm]:

300 x 680 x 100

21. Maximum device temperature [°C]:

300

22. Minimum device temperature [°C]:

50

23. Safety thermostat:

Yes

24. Adjustable feet:

Yes

25. Bottom thickness:

16.00

26. Bottom material:

Stainless steel - suitable for cooking, easy maintenance

27. Type of pan:

Fixed

28. Usable volume [l]:

40

Technical data sheet

Technical parameters



Multi-function fixed braising pan electric 16 l cabinet with door 400 V

Model

SAP Code

00000134

29. Filling:

Mechanical cock

32. Depth of internal part [mm]:

680

30. Drain:

Yes

33. Height of internal part [mm]:

100

31. Width of internal part [mm]:

300