

# Technical data sheet

## Product features



### Pasta cooker drop-in electric 25 l without cabinet 400 V

<b>Model</b>	<b>SAP Code</b>	00007475
--------------	-----------------	----------



- Basin volume [l]: 25
- Water inlet: mechanical tap
- Drain type: Through the substructure with connection to waste
- Drain: Yes
- Material: Stainless steel
- Protection of controls: IPX5
- Maximum device temperature [°C]: 110
- Number of baskets: 0

<b>SAP Code</b>	00007475	<b>Width of internal part [mm]</b>	305
<b>Net Width [mm]</b>	400	<b>Depth of internal part [mm]</b>	510
<b>Net Depth [mm]</b>	600	<b>Height of internal part [mm]</b>	165
<b>Net Height [mm]</b>	510	<b>Number of baskets</b>	0
<b>Net Weight [kg]</b>	32.00	<b>Number of GN / EN</b>	1
<b>Power electric [kW]</b>	7.800	<b>GN / EN size in device</b>	GN 2/3
<b>Loading</b>	400 V / 3N - 50 Hz	<b>GN device depth</b>	220
<b>Basin volume [l]</b>	25		

# Technical data sheet

Technical drawing

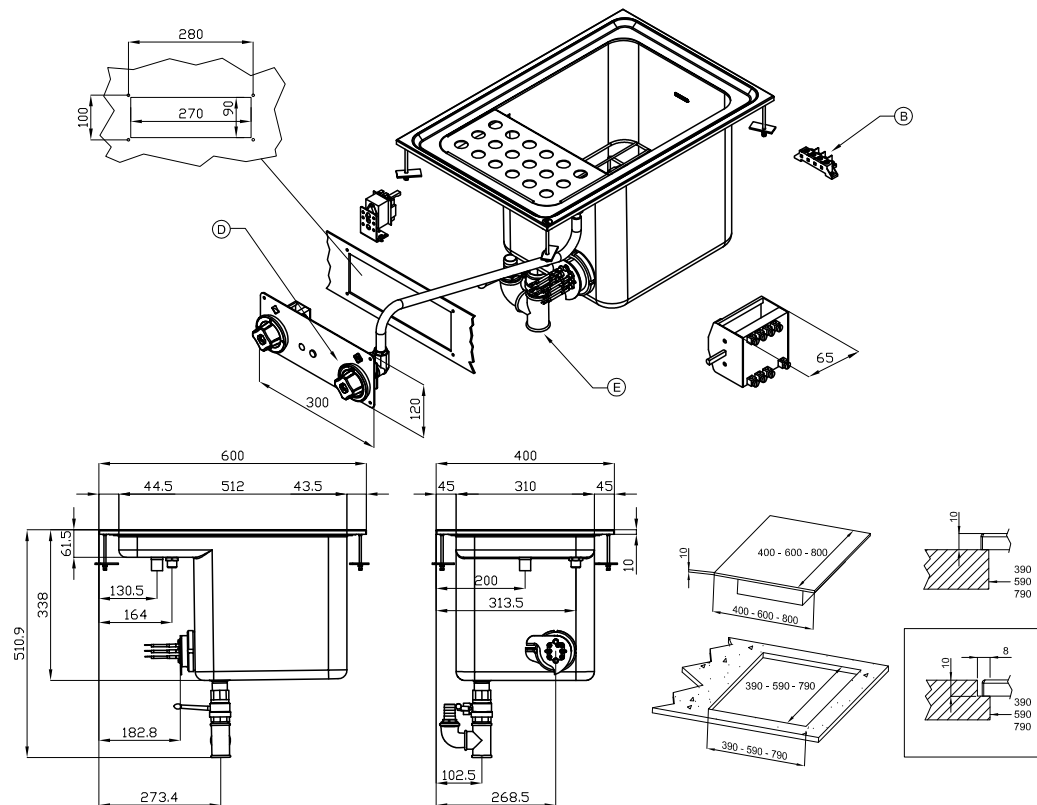


## Pasta cooker drop-in electric 25 l without cabinet 400 V

Model

SAP Code

00007475



A	Data plate		B	Electrical connection	
D	Cold water connection	ISO 7-1 1/2" F	E	Water drainage	ISO 7-1 1" F

# Technical data sheet

## Product benefits



### Pasta cooker drop-in electric 25 l without cabinet 400 V

Model

SAP Code

00007475

1

#### All-stainless steel bathtub

long life  
resistance of AISI 304 stainless steel material  
the material does not cut

- savings on service interventions
- easier and faster operation

2

#### Degree of protection of the control elements IPX5

maintenance-free system  
resistance to splash water  
long life

- savings on service interventions
- easy cleaning and maintenance of equipment

3

#### Outlet to a removable collector in the substructure

outlet of the bath into the prepared container

- easy and safe handling

4

#### Micro switch

microswitch preventing the device from running when there is no water in the bath

- prevents destruction of the equipment by overheating

5

#### Rotating heating element

microswitch preventing the device from running when there is no water in the bath

- effective cleaning when the body is tipped out
- easy access even to corners and time saving

# Technical data sheet

Technical parameters



## Pasta cooker drop-in electric 25 l without cabinet 400 V

Model

SAP Code

00007475

### 1. SAP Code:

00007475

### 2. Net Width [mm]:

400

### 3. Net Depth [mm]:

600

### 4. Net Height [mm]:

510

### 5. Net Weight [kg]:

32.00

### 6. Gross Width [mm]:

630

### 7. Gross depth [mm]:

690

### 8. Gross Height [mm]:

540

### 9. Gross Weight [kg]:

38.00

### 10. Device type:

Electric unit

### 11. Construction type of device:

Drop-in

### 12. Power electric [kW]:

7.800

### 13. Loading:

400 V / 3N - 50 Hz

### 14. Protection of controls:

IPX5

### 15. Material:

Stainless steel

### 16. Indicators:

operation and warm-up

### 17. Drain valve diameter:

1"

### 18. Worktop type:

Molded - comfortable cleaning maintenance

### 19. Basin volume [l]:

25

### 20. Basin dimensions [mm x mm x mm]:

305 x 335 x 327

### 21. Maximum device temperature [°C]:

110

### 22. Minimum device temperature [°C]:

30

### 23. Power control type:

knob control

### 24. Service accessibility:

Trough the frontal panel

### 25. Safety element:

safety thermostat  
microswitch preventing the device from running when there is no water in the bath  
overflow channel

### 26. Safety thermostat:

Yes

# Technical data sheet

Technical parameters



## Pasta cooker drop-in electric 25 l without cabinet 400 V

**Model**

**SAP Code**

00007475

### 27. Additional information:

basket not included - baskets in different sizes can be purchased

### 28. Number of baskets:

0

### 29. Number of basins:

1

### 30. Basin material:

AISI 316 - Stainless steel highly resistant to salt water

### 31. Heating element construction:

Swivel

### 32. Water inlet:

mechanical tap

### 33. Drain type:

Through the substructure with connection to waste

### 34. Drain:

Yes

### 35. Number of GN / EN:

1

### 36. GN / EN size in device:

GN 2/3

### 37. GN device depth:

220

### 38. Drain connection:

Yes

### 39. Heating location:

Inside the tank

### 40. Width of internal part [mm]:

305

### 41. Depth of internal part [mm]:

510

### 42. Height of internal part [mm]:

165