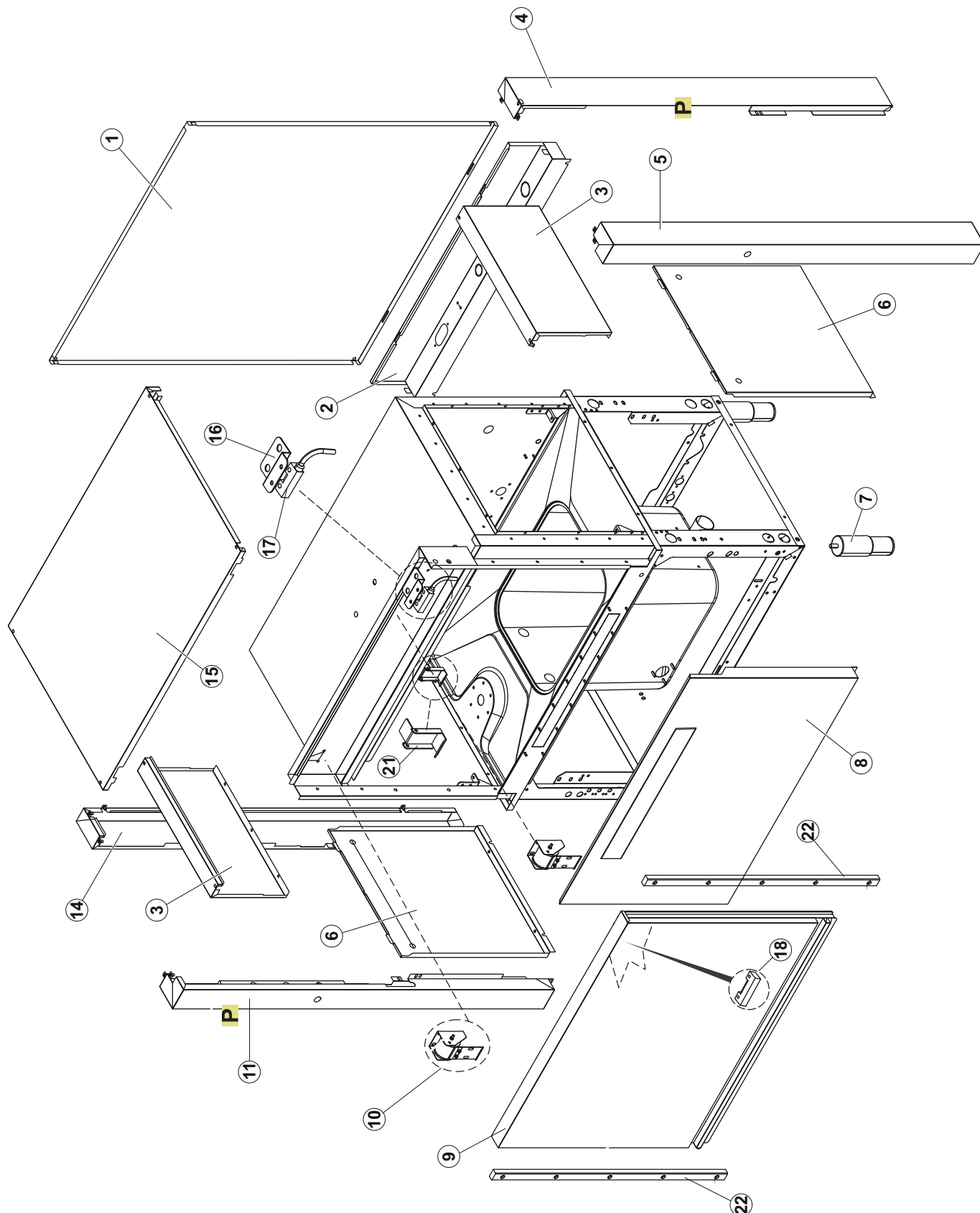
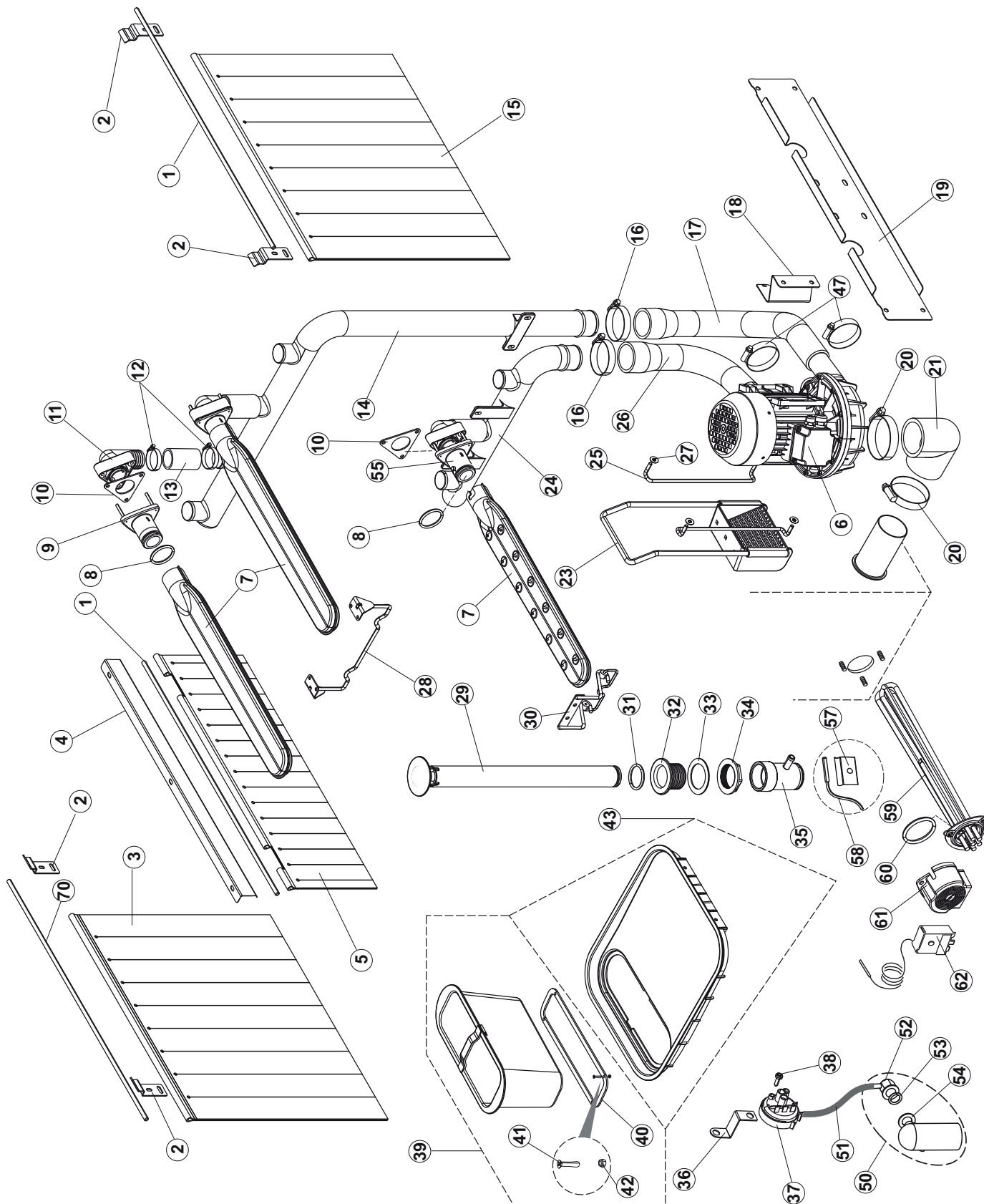


## ROZKRES 1/9

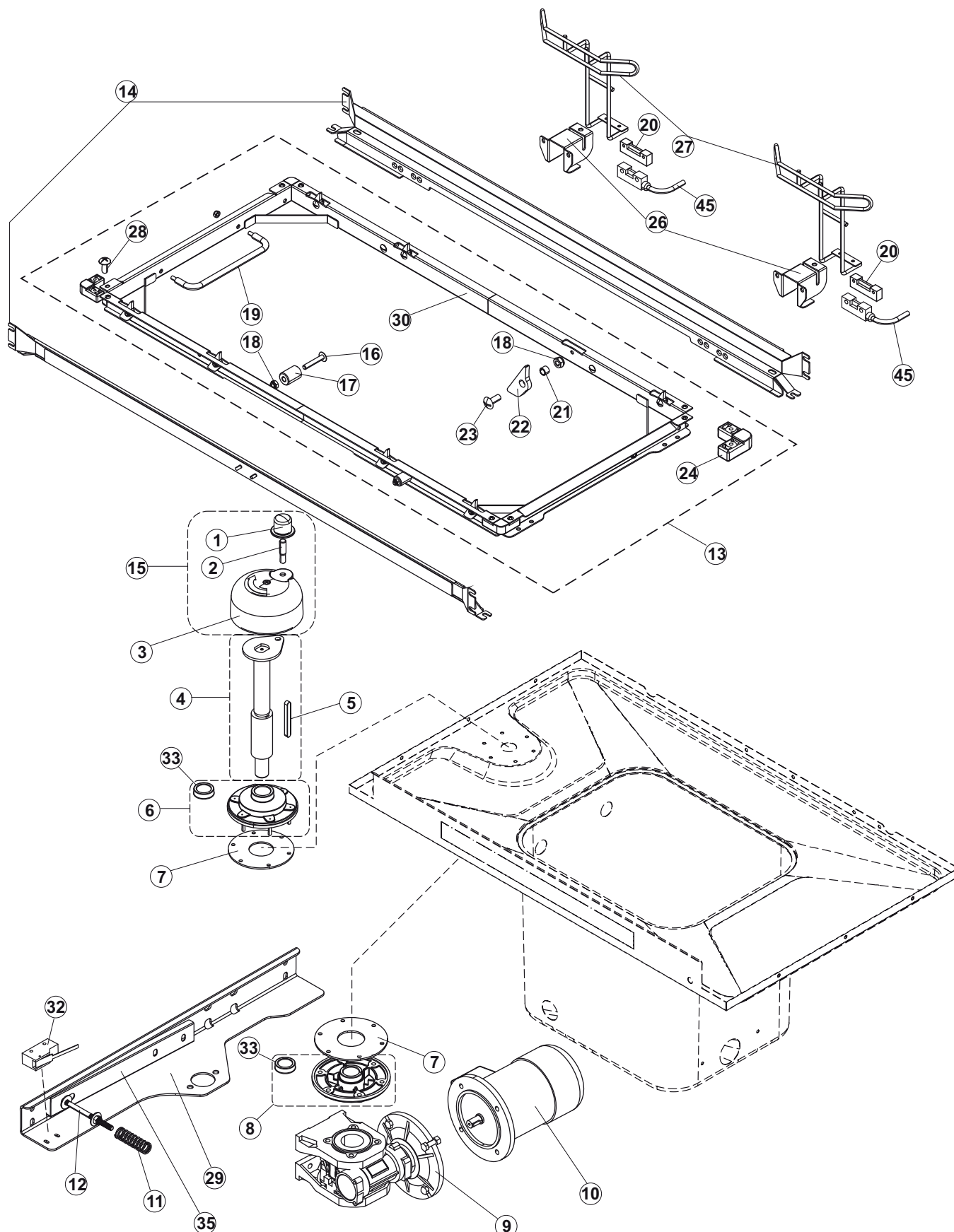


ROZKRES 2/9

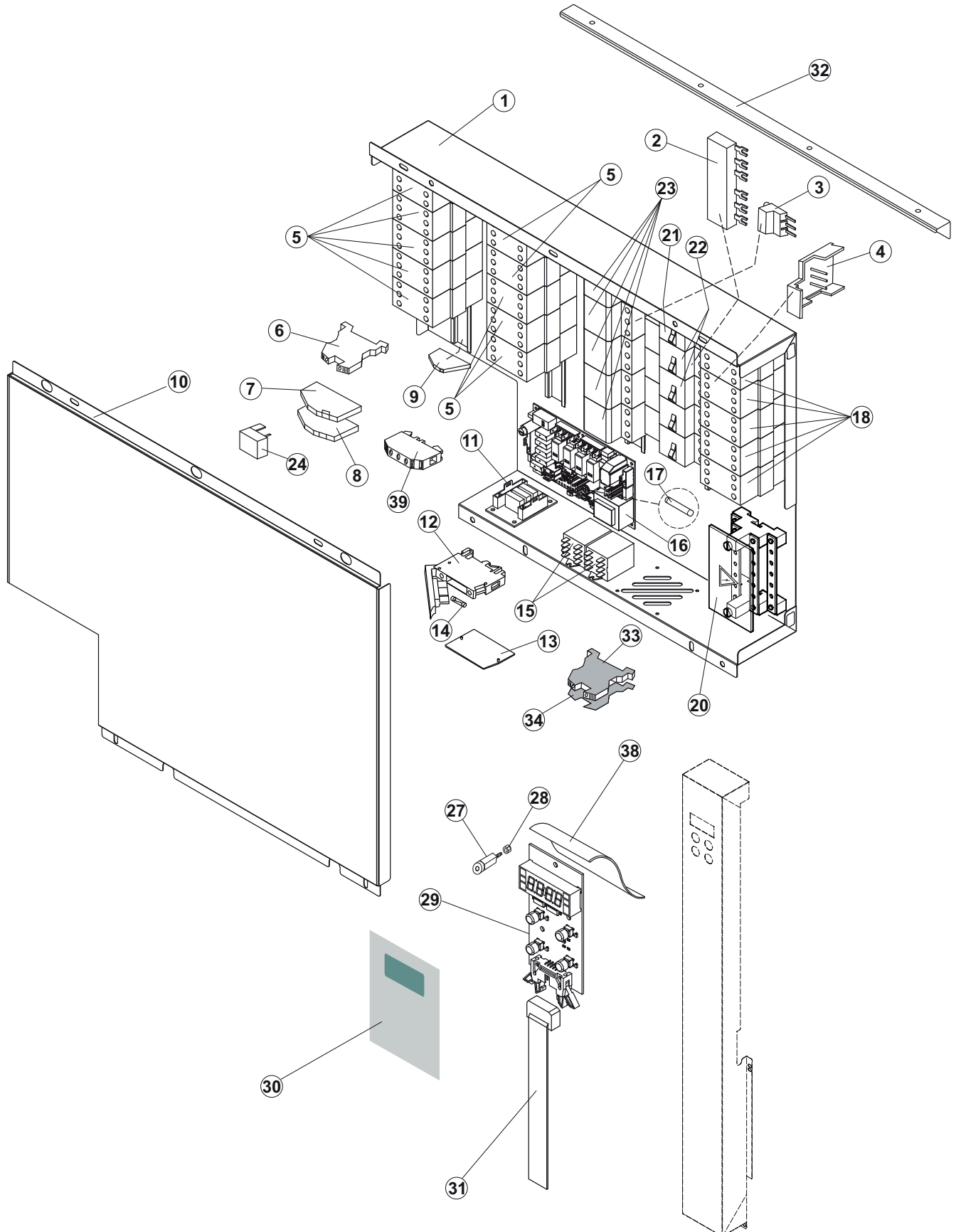




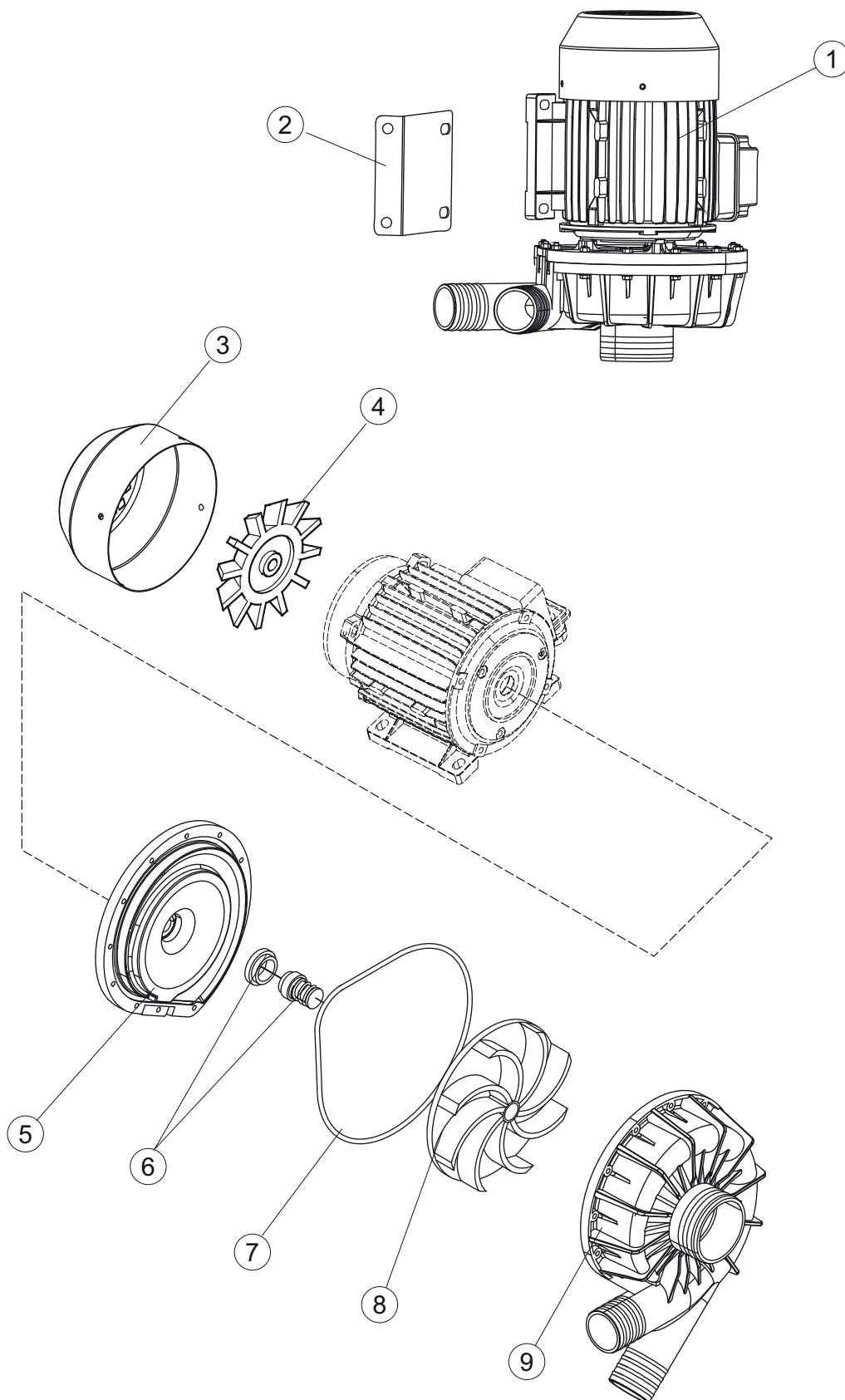
ROZKRES 4/9



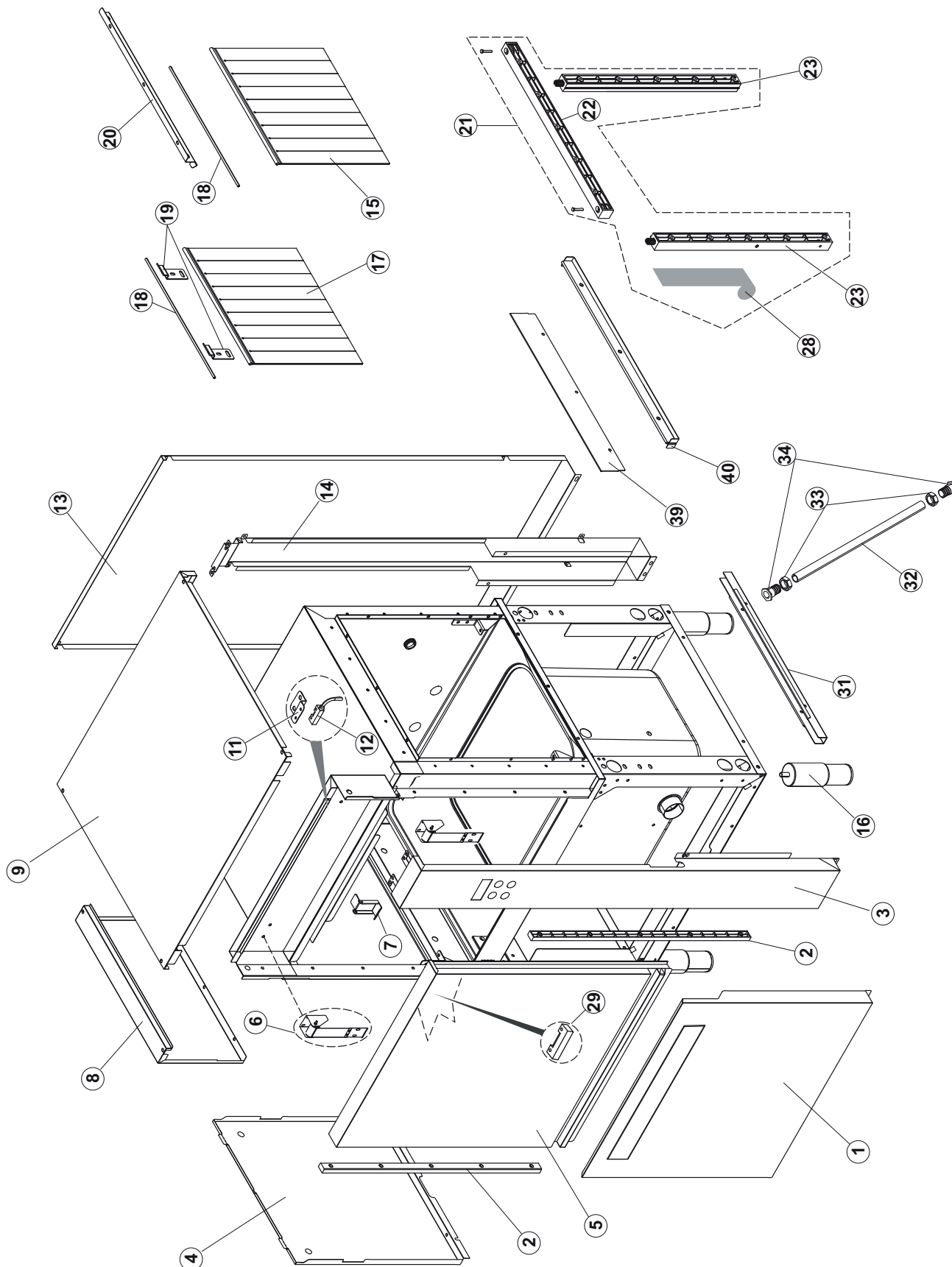
ROZKRES 5/9



ROZKRES 6/9

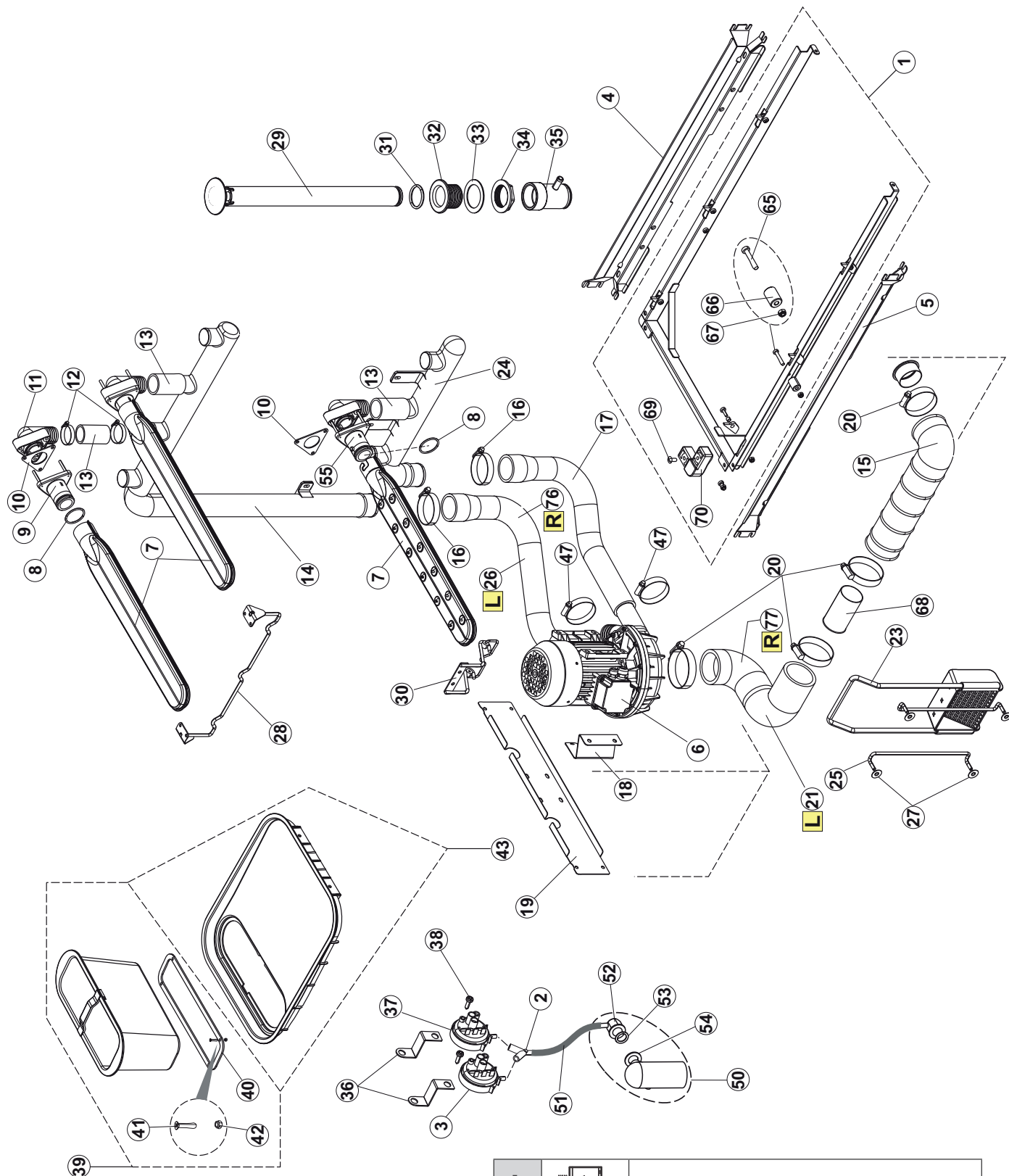


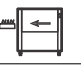

## ROZKRES 7/9





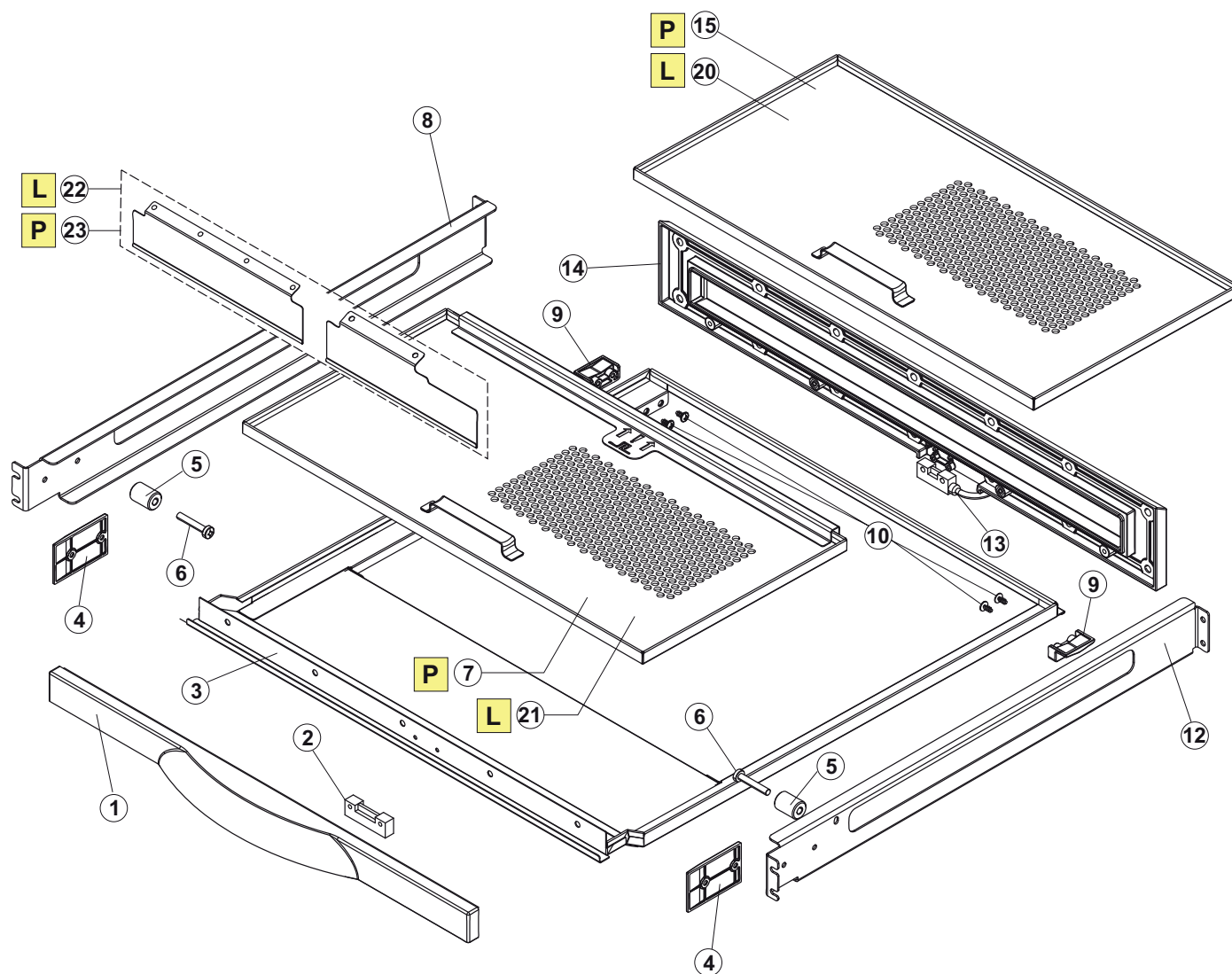
ROZKRES 8/9





<b>L</b>		Výstup vlevo
<b>P</b>		Výstup vpravo



ROZKRES 9/9



<b>P</b>		Předmytí
<b>M</b>		Mytí

ROZKRES	POZICE	POLOŽKA	ČÍSLO
1	1	NOT IN PRICE-LIST	65244
1	2	BACK PANEL	65080
1	3	FRONT PANEL	65035
1	4	CORNER REAR RIGHT PANEL	65258
1	5	SUPPORTING UPRIGHT	65337
1	6	SIDE PANEL	65054
1	7	FOOT	73100
1	8	FRONT PANEL	65287
1	9	KIT DOOR WASH UNIT	K65282
1	10	DOOR SPRING KIT	65654
1	11	CORNER FRONT RIGHT PANEL	65338
1	14	CORNER REAR LEFT PANEL	65259
1	15	TOP PANEL	65050
1	16	BRACKET	65256
1	17	MAGNETIC DOOR SWITCH	80871
1	18	MAGNET FOR HOOD MICROSWITCH	927088
1	21	DOOR SAFETY HOOK FOR RACK-CONVEYOR	75064
1	22	SLIDES CONVEYOR DOOR	75647
2	1	CURTAIN SUPPORT FOR RACK-CONVEYOR DISH-	75124
2	2	SUPPORT BRACKET	65128
2	3	CURTAIN	65210
2	4	CURTAIN SUPPORTING BRACKET	65162
2	5	CURTAIN	65227
2	6	WASHPUMP	70100
2	7	COMPLETE WASH ARM	75616
2	8	O-RING	CGR4131NT
2	9	CONNECTING ARM	75645
2	10	GASKET	437050
2	11	PIPE FITTING	75155
2	12	NOT IN PRICE-LIST	CFS32
2	13	DELIVERY WASH HOSE	75154
2	14	PIPE	65177

ROZKRES	POZICE	POLOŽKA	ČÍSLO
2	15	CURTAIN	65210
2	16	CLAMP, TORRO W1/W2B 50-70/12	CFS2
2	17	PIPE	65624
2	18	SUPPORT BRACKET	65326
2	19	BRACKET	65330
2	20	CLAMP, HOSE-TYPE TORRO W2B 60-80/12	CFS3
2	21	PIPE ELBOW	926056
2	23	PUMP ASPIRATION FILTER	75661
2	24	PIPE + PARZ.77018	K65176
2	25	ASPIRATION FILTER SLIDE	42092
2	26	PIPE	65623
2	27	WASHER	472061
2	28	BRACKET	65293
2	29	OVERFLOW PIPE	75866
2	30	SUPPORT BRACKET WASH ARM	65212
2	31	O-RING	CGR4131NT
2	32	DRAIN CONNECTION	75871
2	33	GASKET	75873
2	34	NUT WASTE DRAIN	75872
2	35	DRAIN FITTING (PLASTIC)	75639
2	36	NOT IN PRICE-LIST	DAS20206
2	37	PRESSURE SWITCH	926049
2	38	SCREW	CVZ4
2	39	COLLECTING FILTER WITH WEIGHT	75429
2	40	WEIGHT FOR BASKET STAINER	75428
2	41	SCREW, INOX 4MAX10 TC/CROSS	CVI1101
2	42	NUT - SELF-LOCK	417091
2	43	TANK FLAT STAINLESS STEEL FILTER	65200
2	47	HOSE CLAMP	CFS1A
2	50	AIR TRAP, ASSY	984005
2	51	LINEN RUBBER PIPE 5X12 - BLACK	143005
2	52	AIR TRAP CONNECTION OF PRESSURE SWITCH	468029

ROZKRES	POZICE	POLOŽKA	ČÍSLO
2	53	O-RING	
2	54	PACKING FOR AIR TRAP OF PRESSURE SWITCH	
2	55	CONNECTING ARM	
2	57	SUPPORT TEMPERATURE PROBE	
2	58	TEMPERATURE PROBE	
2	59	HEATING ELEMENT 10500W 230/400V	
2	60	O-RING	
2	61	BOILER HEATING ELEMENT PROTECTION	
2	62	THERMOSTAT	
2	70	CURTAIN SUPPORT FOR RACK-CONVEYOR DISH-	
3	1	THERMOSTAT	
3	2	PROBE HOLDER	
3	3	TEMPERATURE PROBE	
3	4	BOILER HEATING ELEMENT PROTECTION	
3	5	O-RING	
3	6	CLOSED FLANGE CAP (170880543)	
3	7	HEATING ELEMENT 6KW	
3	8	KIT HEATING ELEMENTS REB230020 (8KW)	
3	9	READY-TO-ASSEMBLE KIT FOR HEATING	
3	10	BOILER	
3	11	PIPE	
3	13	PIPE FITTING	
3	14	COVER INSULATION	
3	15	RUBBER PIPE 12X19,5	
3	16	BRACKET	
3	17	SUPPORT BRACKET RINSE ARM	
3	18	RINSE ARM	
3	19	STAINLESS STEEL RINSE SPRAY NOZZLE	
3	20	O-RING 2050 12.42X1.78 EPDM 70SH A	
3	21	INTERNAL RINSE PIPE FITTING AISI303	
3	22	PIPE FITTING	
3	23	JUNCTION "Y"	

ROZKRES	POZICE	POLOŽKA	ČÍSLO
3	24	BREAK TANK	65388
3	25	COVER	65390
3	26	FLOW REDUCER	65609
3	27	RINSE DELIVERY TUBE(CRP)	41525
3	28	GASKET	437041
3	29	INLET HOSE	143277
3	31	HOSE CLAMP	927322
3	33	PIPE	143131
3	34	AIR TRAP, ASSY	984005
3	35	SPLASH PROTECTION	41059
3	36	ELECTROPUMP	929167
3	37	RING NUT	429036
3	38	PACKING FOR DRAIN UNIT RING NUT (S6666)	437025
3	39	NUT - CHROMIUM PLATED	CDO134CR
3	40	NOT IN PRICE-LIST	75621
3	41	PRESSURE SWITCH	224031
3	43	PIPE CONNECTION	927326
3	44	SOLENOID VALVE	240016
3	45	FLOW REDUCER	75976
3	47	NOT IN PRICE-LIST	CFS32
3	50	RINSE ARM	65545
3	59	GASKET ES/AM VERDE 33X21X1,5	65749
3	75	RINSE PIPE L 200 RACC 90	65747-A
3	76	RINSE PIPE L 380 RACC 90	65747-B
4	1	WASHER	75058
4	2	PIVOT	75234
4	3	SPLASH PROTECTION	75649
4	4	GEAR SHAFT CONVEYOR	65235
4	5	GEARED MOTOR KEY	65235C
4	6	UPPER FLANGE SHAFT CONVEYOR	K75141
4	7	GASKET	75168
4	8	LOWER BUSH & SEAL	K75057

ROZKRES	POZICE	POLOŽKA	ČÍSLO
4	9	GEARMOTOR SW050PA MEC71B5 I=30	65921
4	10	MOTOR 180W V 400	927105
4	11	SPRING	CMT13
4	12	SCREW	60354
4	13	RACK CONVEYOR	75869
4	14	RACK SLIDE RACKCONVEYOR ONLY SPARE PART	K65024
4	15	KIT PROTECTIVE PLATE OF SPLASHING WATER	K75649
4	16	SCREW	75310
4	17	BUFFER FOR DRIVE STOP	75076
4	18	NUT - SELF-LOCK	CDI206AU
4	19	RACK CONVEYOR HANDLE	75073
4	20	MAGNET FOR HOOD MICROSWITCH	927088
4	21	BUSH	75077
4	22	RACK CONVEYOR COG	75071
4	23	SCREW, INOX SPEC.6MAX16 T.1/2 T. POELIER	CVI172
4	24	SLED CART TOWING	75075
4	25	NOT IN PRICE-LIST	65022
4	26	BRACKET ECONOMIZER	75110
4	27	OPERATED RINSING LEVER	65695
4	28	STAINLESS STEEL SCREW 4MAX10 TBCR-SP	486169
4	29	NOT IN PRICE-LIST	65217
4	30	TOWING RACK	75868
4	32	MICROSWITCH	927246
4	33	SEAL RING MIM 30X40X7 (MIM 30407)	927095
4	35	SUPPORT BRACKET	75218
4	45	MAGNETIC DOOR SWITCH	80871
5	1	PANEL FOR ELECTRICAL COMPONENTS	65680
5	2	BAR ELECTRICAL CONNECTION	80829
5	3	POWER CONNECTOR	80826
5	4	CONNECTOR	73830
5	5	CONTACTOR	73351
5	6	TERMINAL BLOCK	927115



ROZKRES	POZICE	POLOŽKA	ČÍSLO
5	7	NOT IN PRICE-LIST	74938
5	8	NOT IN PRICE-LIST	74939
5	9	ELECTRICAL CONNECTOR FOR U-SHAPED BAR	75817
5	10	COVER	65683
5	11	MAIN BOARD	74903
5	12	FUSE-HOLDER	74935
5	13	PLUG	H.228048
5	14	FUSE	228014
5	15	RELAY 16A 230V	929115
5	16	MAIN BOARD 215042+ FIRMWARE26(FW_0_XXA.Q014)	215042-2
5	17	FUSE	228010
5	18	CONTACTOR	73350
5	20	TERMINAL BLOCK	75983
5	21	AUTOMATIC SWITCH	DEI40N
5	22	AUTOMATIC SWITCH	DEI36N
5	23	FUSE-HOLDER - TRIPOLAR GK1-DF	927038
5	24	NOT IN PRICE-LIST	74940
5	27	INTERFACE BOARD DISTANCE KEEPERS	419036
5	28	NUT	417119
5	29	CONTROL KEYBOARD	74901
5	30	CONTROL ADHESIVE INTERFACE CT160ABT, CT270ABT RM	66719
5	31	FLAT CABLE WITH PROTECTIVE SHEATH	74933
5	32	BRACKET	65491
5	33	NOT IN PRICE-LIST	74936
5	34	PLUG	65981
5	38	PVC CURTAIN FOR ELECTRIC PROTECTION	214088
5	39	TERMINAL BLOCK	927114
6	1	WASHPUMP	70100
6	2	BRACKET	70105
6	3	ELECTROPUMP FAN COVER	70940
6	4	WASHPUMP FUN	70939
6	5	FLANGE	70941

ROZKRES	POZICE	POLOŽKA	ČÍSLO
6	6	WASHPUMP SHAFT SEAL	70942
6	7	O-RING	70943
6	8	ELECTROPUMP IMPELLER	70944
6	9	ELECTROPUMP HOUSING	70945
7	1	FRONT PANEL	65482
7	2	SLIDES CONVEYOR DOOR	75647
7	3	CONTROL PANEL C4-2	65409
7	4	SIDE PANEL	65054
7	5	CONVEYOR DOOR	65534
7	6	DOOR SPRING KIT	77560
7	7	DOOR SAFETY HOOK FOR RACK-CONVEYOR	75064
7	8	FRONT PANEL	65035
7	9	TOP PANEL	65742
7	11	BRACKET	65256
7	12	MAGNETIC DOOR SWITCH	80871
7	13	NOT IN PRICE-LIST	65540
7	14	SUPPORTING UPRIGHT	65619
7	15	MEDIUM CURTAIN 3 CUTS	65216
7	16	FOOT	73100
7	17	CURTAIN	65210
7	18	CURTAIN SUPPORT FOR RACK-CONVEYOR DISH-	75124
7	19	SUPPORT BRACKET	65128
7	20	CURTAIN SUPPORTING BRACKET	65640
7	21	KIT GROUP FRAME JUNCTION TOWING MODULE	K65049
7	22	HORIZONTAL BAR	65047
7	23	VERTICAL L BAR	65045
7	28	GASKET	65997
7	29	MAGNET FOR HOOD MICROSWITCH	927088
7	31	BOTTOM STEEL BAR	77527
7	32	NOT IN PRICE-LIST	K66915
7	33	NUT	77524
7	34	DRAIN CONNECTION	77525

ROZKRES	POZICE	POLOŽKA	ČÍSLO
7	39	SEPARATOR UNIT WASHING - PREWASHING	65645
7	40	BRACKET UNION TANKS	65055
8	1	RACK CONVEYOR	77830
8	2	PIPE CONNECTION	70996
8	3	PRESSURE SWITCH 115/15	224006
8	4	NOT IN PRICE-LIST	K65531
8	5	NOT IN PRICE-LIST	K65531
8	6	WASHPUMP	70100
8	7	COMPLETE WASH ARM	75616
8	8	O-RING	CGR4131NT
8	9	CONNECTING ARM	75645
8	10	GASKET	437050
8	11	PIPE FITTING	75155
8	12	NOT IN PRICE-LIST	CFS32
8	13	DELIVERY WASH HOSE	75154
8	14	PIPE	65177
8	15	SUCTION PIPE	80186
8	16	CLAMP, TORRO W1/W2B 50-70/12	CFS2
8	17	PIPE	65623
8	18	SUPPORT BRACKET	65326
8	19	BRACKET	65330
8	20	CLAMP, HOSE-TYPE TORRO W2B 60-80/12	CFS3
8	21	PUMP INLET HOSE	65189
8	23	PUMP ASPIRATION FILTER	75661
8	24	PIPE + PARZ.77018	K65176
8	25	ASPIRATION FILTER SLIDE	42092
8	26	PIPE	65624
8	27	WASHER	472061
8	28	BRACKET	65293
8	29	OVERFLOW PIPE	77846
8	30	SUPPORT BRACKET WASH ARM	65212
8	31	O-RING	CGR4131NT

ROZKRES	POZICE	POLOŽKA	ČÍSLO
8	32	DRAIN CONNECTION	75871
8	33	GASKET	75873
8	34	NUT WASTE DRAIN	75872
8	35	DRAIN FITTING (PLASTIC)	75639
8	36	NOT IN PRICE-LIST	DAS20206
8	37	PRESSURE SWITCH	926049
8	38	SCREW	CVZ4
8	39	COLLECTING FILTER WITH WEIGHT	75429
8	40	WEIGHT FOR BASKET STAINER	75428
8	41	SCREW, INOX 4MAX10 TC/CROSS	CVI1101
8	42	NUT - SELF-LOCK	417091
8	43	TANK FLAT STAINLESS STEEL FILTER	65200
8	47	HOSE CLAMP	CFS1A
8	50	AIR TRAP, ASSY	984005
8	51	LINEN RUBBER PIPE 5X12 - BLACK	143005
8	52	AIR TRAP CONNECTION OF PRESSURE SWITCH	468029
8	53	O-RING	456020
8	54	PACKING FOR AIR TRAP OF PRESSURE SWITCH	437019
8	55	CONNECTING ARM	75648
8	65	SCREW	75310
8	66	BUFFER FOR DRIVE STOP	75076
8	67	NUT - SELF-LOCK	CDI206AU
8	68	NOT IN PRICE-LIST	929165T
8	69	STAINLESS STEEL SCREW 4MAX10 TBCR-SP	486169
8	70	SLED CART TOWING	75075
8	76	PIPE	65622
8	77	PUMP INLET HOSE	65269
9	1	HANDLE FOR THE FILTER	65501
9	2	MAGNET FOR HOOD MICROSWITCH	927088
9	3	STRAINER FRAME	65556
9	4	SIDE SLIDE FOR FILTER	65503
9	5	BUFFER FOR DRIVE STOP	75076

ROZKRES	POZICE	POLOŽKA	ČÍSLO
9	6	SCREW	75311
9	7	FRONT DRAWER STRAINER FOR PRE-WASH TANK	65477
9	8	NOT IN PRICE-LIST	65871
9	9	SLIDING BLOCK	65508
9	10	SCREW	65999
9	12	NOT IN PRICE-LIST	65872
9	13	MAGNETIC DOOR SWITCH	80871
9	14	KIT STAINER FRAME	K65502
9	15	FRONT DRAWER STRAINER FOR PRE-WASH TANK	65478
9	20	BACK DRAWER STRAINER FOR WASH TANK	65468
9	21	FRONT DRAWER STRAINER FOR WASH TANK	65464
9	22	KIT SPLASHGUARD WASH DOOR	K65565
9	23	KIT SPLASHGUARD PRE-WASH DOOR	K65479

Číslo produktu	Model produktu	Název produktu
00010032	CT 270 ABT LX	Myčka tunelová 270 košů za hodinu na horkou vodu, výstup vlevo
00014490	CT 270 ABT RX	Myčka tunelová 270 košů za hodinu na horkou vodu, výstup vpravo
00013729	CT 270 W ABT LX	Myčka tunelová 270 košů za hodinu na studenou vodu, výstup vlevo
00014487	CT 270 W ABT RX	Myčka tunelová 270 košů za hodinu na studenou vodu, výstup vpravo