

# Technical data sheet



## Product features

### Cooking range electric with 4 solid top plates on open cabinet

<b>Model</b>	<b>SAP Code</b>	00014652
--------------	-----------------	----------



- Device type: Electric unit
- Power consumption of the zone 1 [kW]: 4x square hotplates 2.5 kW size 300 x 300 mm
- Power consumption of the zone 2 [kW]: 2,5
- Power consumption of the zone 3 [kW]: 2,5
- Power consumption of the zone 4 [kW]: 2,5
- Protection of controls: IPX4
- Material: AISI 304 top plate, AISI 430 cladding

<b>SAP Code</b>	00014652	<b>Loading</b>	400 V / 3N - 50 Hz
<b>Net Width [mm]</b>	800	<b>Number of zones</b>	4
<b>Net Depth [mm]</b>	700	<b>Power consumption of the zone 1 [kW]</b>	4x square hotplates 2.5 kW size 300 x 300 mm
<b>Net Height [mm]</b>	910	<b>Power consumption of the zone 2 [kW]</b>	2,5
<b>Net Weight [kg]</b>	89.80	<b>Power consumption of the zone 3 [kW]</b>	2,5
<b>Power electric [kW]</b>	10.000	<b>Power consumption of the zone 4 [kW]</b>	2,5

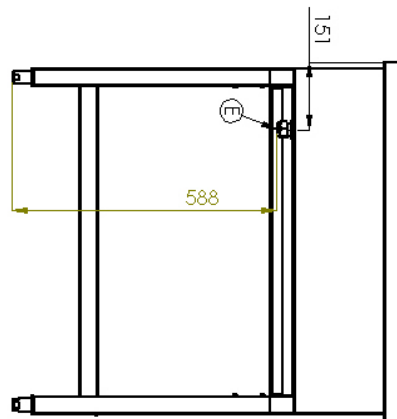
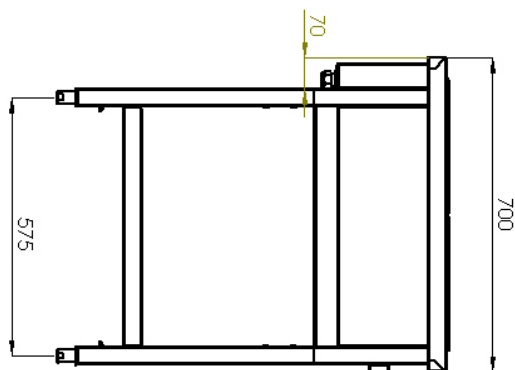
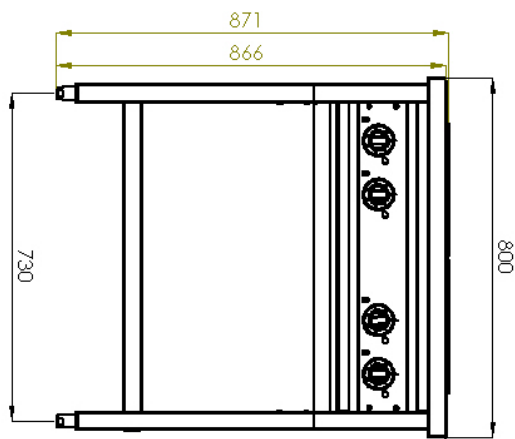
# Technical data sheet



Technical drawing

Cooking range electric with 4 solid top plates on open cabinet

<b>Model</b>	<b>SAP Code</b>	00014652
--------------	-----------------	----------



# Technical data sheet



## Technical parameters

### Cooking range electric with 4 solid top plates on open cabinet

<b>Model</b>	<b>SAP Code</b>	00014652
--------------	-----------------	----------

**1. SAP Code:**

00014652

**2. Article group:**

RF-Line 700

**3. Net Width [mm]:**

800

**4. Net Depth [mm]:**

700

**5. Net Height [mm]:**

910

**6. Net Weight [kg]:**

89.80

**7. Gross Width [mm]:**

840

**8. Gross depth [mm]:**

800

**9. Gross Height [mm]:**

975

**10. Gross Weight [kg]:**

105.00

**11. Device type:**

Electric unit

**12. Construction type of device:**

With substructure

**13. Power electric [kW]:**

10.000

**14. Loading:**

400 V / 3N - 50 Hz

**15. Protection of controls:**

IPX4

**16. Material:**

AISI 304 top plate, AISI 430 cladding

**17. Worktop material:**

AISI 304

**18. Worktop Thickness [mm]:**

1.20

**19. Number of zones:**

4

**20. Power consumption of the zone 1 [kW]:**

4x square hotplates 2.5 kW size 300 x 300 mm

**21. Power consumption of the zone 2 [kW]:**

2,5

**22. Power consumption of the zone 3 [kW]:**

2,5

**23. Power consumption of the zone 4 [kW]:**

2,5

**24. Number of power control stages:**

6

**25. Service accessibility:**

Trough the frontal panel

**26. Safety element:**

internal thermostatic protection against overheating

**27. Safety thermostat up to x ° C:**

360

**28. Adjustable feet:**

Yes

# Technical data sheet



Technical parameters

Cooking range electric with 4 solid top plates on open cabinet

<b>Model</b>	<b>SAP Code</b>	00014652
--------------	-----------------	----------

**29. Additional information:**

drawer for easy removal of dirt stuck under the plates

**31. Type of electric cooking zones:**

Squared

**30. Number of burners/hot plates:**

4