

Technical data sheet

Product features



Fry-top griddle plate 116x51 gas smooth without cabinet

Model	SAP Code	00013861
--------------	-----------------	----------

– Worktop material: Stainless steel



SAP Code	00013861	Net Height [mm]	280
Net Width [mm]	1200	Net Weight [kg]	120.00
Net Depth [mm]	705		

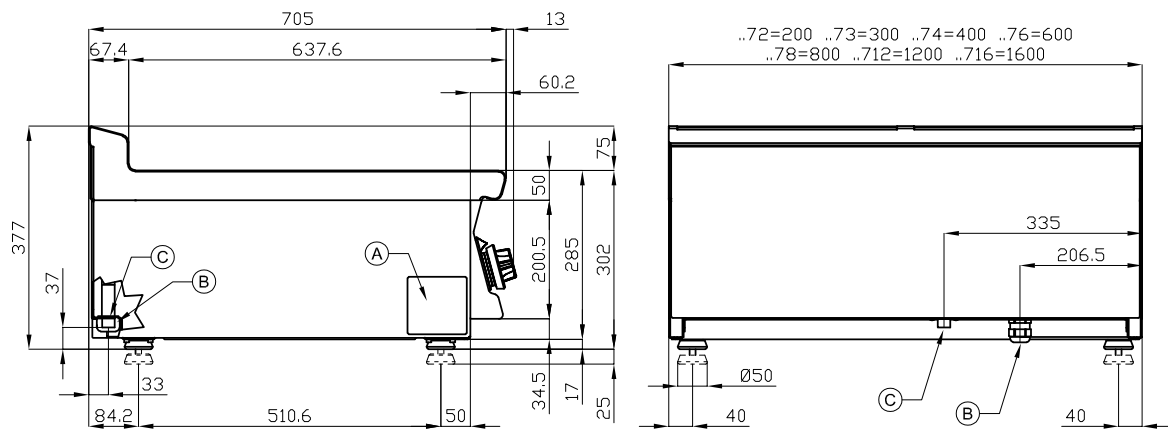
Technical data sheet

Technical drawing



Fry-top griddle plate 116x51 gas smooth without cabinet

Model	SAP Code	00013861
--------------	-----------------	----------



A	Data plate		C	Gas connection	ISO 7-1 1/2" M
---	------------	--	---	----------------	----------------

Technical data sheet

Technical parameters



Fry-top griddle plate 116x51 gas smooth without cabinet

Model

SAP Code

00013861

1. SAP Code:

00013861

7. Gross depth [mm]:

770

2. Net Width [mm]:

1200

8. Gross Height [mm]:

540

3. Net Depth [mm]:

705

9. Gross Weight [kg]:

125.00

4. Net Height [mm]:

280

10. Device color:

Stainless steel

5. Net Weight [kg]:

120.00

11. Worktop material:

Stainless steel

6. Gross Width [mm]:

1230