

Technical data sheet

Product features



Cooking range induction 4/8 zones

| | | |
|--------------|-----------------|----------|
| Model | SAP Code | 00013622 |
|--------------|-----------------|----------|



- Device type: Electric unit
- Power consumption of the zone 1 [kW]: 3,5
- Power consumption of the zone 2 [kW]: 3,5
- Power consumption of the zone 3 [kW]: 3,5
- Power consumption of the zone 4 [kW]: 3,5
- Power consumption of the zone 5 [kW]: 3,5
- Power consumption of the zone 6 [kW]: 3,5
- Material: AISI 304

| | | | |
|----------------------------|--------------------|---|-----|
| SAP Code | 00013622 | Power consumption of the zone 1 [kW] | 3,5 |
| Net Width [mm] | 800 | Power consumption of the zone 2 [kW] | 3,5 |
| Net Depth [mm] | 900 | Power consumption of the zone 3 [kW] | 3,5 |
| Net Height [mm] | 280 | Power consumption of the zone 4 [kW] | 3,5 |
| Net Weight [kg] | 70.00 | Power consumption of the zone 5 [kW] | 3,5 |
| Power electric [kW] | 28.000 | Power consumption of the zone 6 [kW] | 3,5 |
| Loading | 400 V / 3N - 50 Hz | Power consumption of the zone 7 [kW] | 3,5 |
| Number of zones | 8 | Power consumption of the zone 8 [kW] | 3,5 |

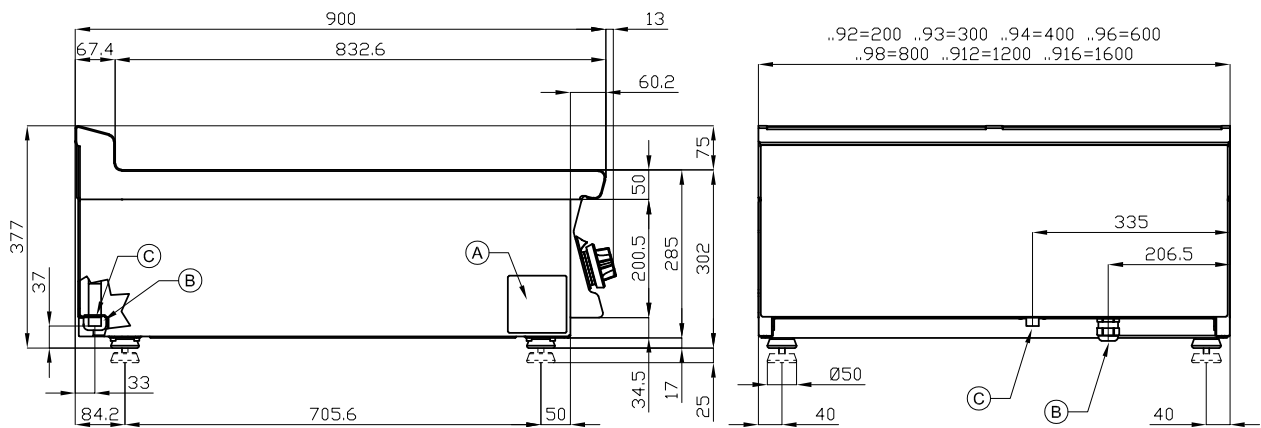
Technical data sheet

Technical drawing



Cooking range induction 4/8 zones

| | | |
|--------------|-----------------|----------|
| Model | SAP Code | 00013622 |
|--------------|-----------------|----------|



| | | | | | |
|---|------------|--|---|-----------------------|--|
| A | Data plate | | B | Electrical connection | |
|---|------------|--|---|-----------------------|--|

Technical data sheet

Technical parameters



Cooking range induction 4/8 zones

Model

SAP Code

00013622

1. SAP Code:

00013622

2. Net Width [mm]:

800

3. Net Depth [mm]:

900

4. Net Height [mm]:

280

5. Net Weight [kg]:

70.00

6. Gross Width [mm]:

830

7. Gross depth [mm]:

970

8. Gross Height [mm]:

540

9. Gross Weight [kg]:

80.00

10. Device type:

Electric unit

11. Construction type of device:

Table top

12. Power electric [kW]:

28.000

13. Loading:

400 V / 3N - 50 Hz

14. Device color:

Stainless steel

15. Material:

AISI 304

16. Worktop type:

Molded - comfortable cleaning maintenance

17. Worktop Thickness [mm]:

2.00

18. Number of zones:

8

19. Power consumption of the zone 1 [kW]:

3,5

20. Power consumption of the zone 2 [kW]:

3,5

21. Power consumption of the zone 3 [kW]:

3,5

22. Power consumption of the zone 4 [kW]:

3,5

23. Power consumption of the zone 5 [kW]:

3,5

24. Power consumption of the zone 6 [kW]:

3,5

25. Power consumption of the zone 7 [kW]:

3,5

26. Power consumption of the zone 8 [kW]:

3,5

27. Service accessibility:

From the front by removing the front panel and waste fluid containers

28. Safety thermostat:

Yes

Technical data sheet

Technical parameters



Cooking range induction 4/8 zones

| | | |
|--------------|-----------------|----------|
| Model | SAP Code | 00013622 |
|--------------|-----------------|----------|

29. Adjustable feet:

Yes

31. Type of electric cooking zones:

Induction

30. Number of burners/hot plates:

8