

# Technical data sheet



## Product features

Combi convection steam oven electric 7x GN 1/1, 12,6 kW, direct steam, touch screen, automatic cleaning, left door

<b>Model</b>	<b>SAP Code</b>	00014272
--------------	-----------------	----------



- Steam type: Injection
- Number of GN / EN: 7
- GN / EN size in device: GN 1/1
- GN device depth: 65
- Control type: Touchscreen + buttons
- Display size: 7"
- Humidity control: Yes, indirect measuring
- Advanced moisture adjustment: No
- Delta T heat preparation: Yes
- Multi level cooking: Drawer program - control of heat treatment for each dish separately
- Door constitution: Vented safety double glass, removable for easy cleaning

<b>SAP Code</b>	00014272	<b>Steam type</b>	Injection
<b>Net Width [mm]</b>	907	<b>Number of GN / EN</b>	7
<b>Net Depth [mm]</b>	752	<b>GN / EN size in device</b>	GN 1/1
<b>Net Height [mm]</b>	837	<b>GN device depth</b>	65
<b>Net Weight [kg]</b>	105.00	<b>Control type</b>	Touchscreen + buttons
<b>Power electric [kW]</b>	12.600	<b>Display size</b>	7"
<b>Loading</b>	400 V / 3N - 50 Hz		

# Technical data sheet



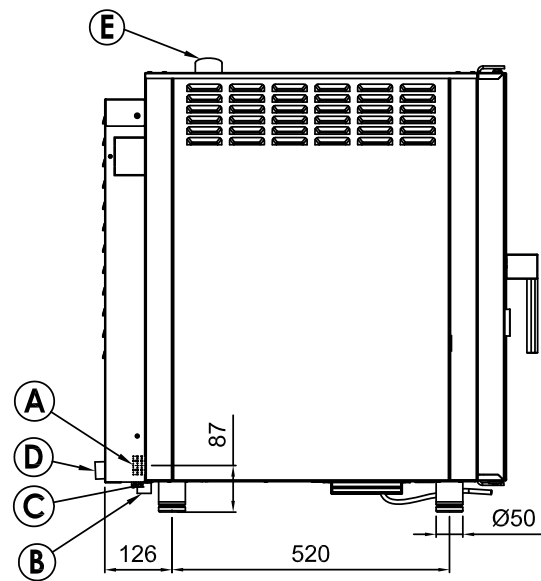
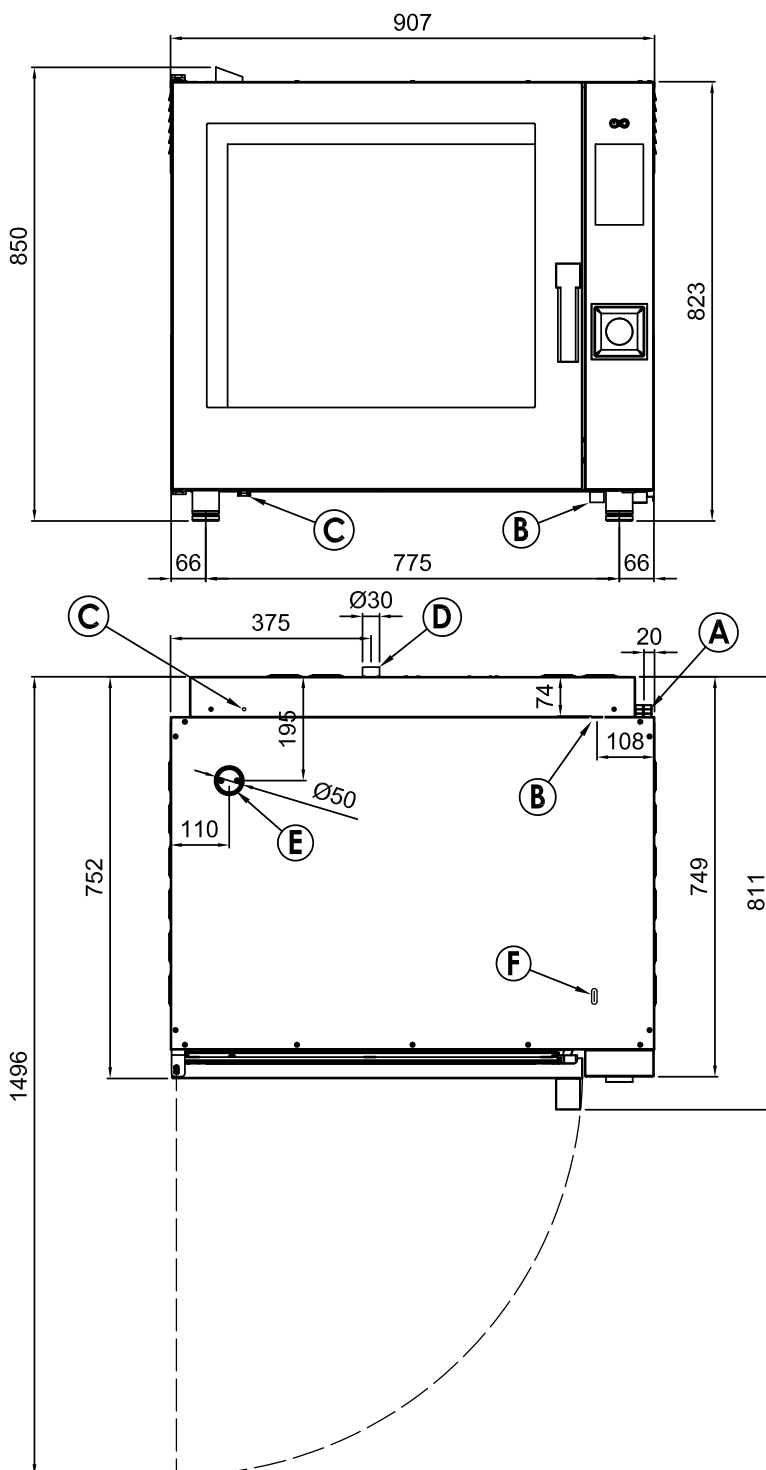
Technical drawing

Combi convection steam oven electric 7x GN 1/1, 12,6 kW, direct steam, touch screen, automatic cleaning, left door

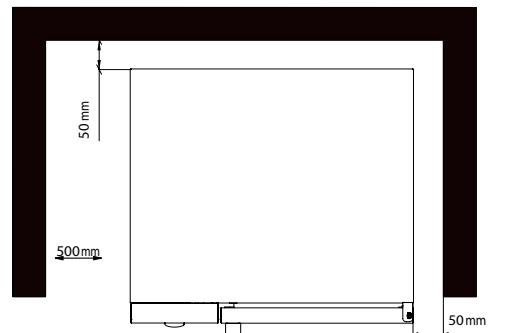
Model

SAP Code

00014272



- A Electrical connection
- B Softened water inlet (G3/4)
- C Equipotential bonding
- D Drain (Ø30)
- E Humidity discharge (Ø50)
- F Detergent hose inlet



\* Clearance requirements

## NOTE

\* Drain line must be vented

# Technical data sheet



## Technical parameters

Combi convection steam oven electric 7x GN 1/1, 12,6 kW, direct steam, touch screen, automatic cleaning, left door

**Model**

**SAP Code**

00014272

**1. SAP Code:**

00014272

**2. Net Width [mm]:**

907

**3. Net Depth [mm]:**

752

**4. Net Height [mm]:**

837

**5. Net Weight [kg]:**

105.00

**6. Gross Width [mm]:**

940

**7. Gross depth [mm]:**

900

**8. Gross Height [mm]:**

970

**9. Gross Weight [kg]:**

125.00

**10. Device type:**

Electric unit

**11. Power electric [kW]:**

12.600

**12. Loading:**

400 V / 3N - 50 Hz

**13. Material:**

AISI 304

**14. Device color:**

Stainless steel

**15. Humidity control:**

Yes, indirect measuring

**16. Stacking availability:**

Yes

**17. Control type:**

Touchscreen + buttons

**18. Additional information:**

possibility of reverse door opening - handle on the right side (must be specified when ordering)

**19. Steam type:**

Injection

**20. Sturdier version:**

Yes

**21. Chimney for moisture extraction:**

Yes

**22. Delayed start:**

Yes

**23. Display size:**

7"

**24. Delta T heat preparation:**

Yes

**25. Unified finishing of meals EasyService:**

Yes

**26. Night cooking:**

Yes

**27. Washing system:**

Open

**28. Detergent type:**

Liquid washing detergent + water rinse

# Technical data sheet



## Technical parameters

Combi convection steam oven electric 7x GN 1/1, 12,6 kW, direct steam, touch screen, automatic cleaning, left door

Model

SAP Code

00014272

### 29. Multi level cooking:

Drawer program - control of heat treatment for each dish separately

### 30. Advanced moisture adjustment:

No

### 31. Slow cooking:

from 50 °C

### 32. Fan stop:

Interruption when door is opened, not braked

### 33. Lighting type:

LED lighting in the door, on one side

### 34. Cavity material and shape:

AISI 304, with rounded corners for easy cleaning

### 35. Reversible fan:

Yes

### 36. Sustance box:

Yes

### 37. Heating element material:

Incoloy

### 38. Probe:

Yes

### 39. Shower:

Manual (optional)

### 40. Distance between the layers [mm]:

74

### 41. Smoke-dry function:

Yes

### 42. Interior lighting:

Yes

### 43. Low temperature heat treatment:

Yes

### 44. Number of fans:

2

### 45. Number of fan speeds:

3

### 46. Number of programs:

1000

### 47. USB port:

Yes, for uploading recipes and updating firmware

### 48. Door constitution:

Vented safety double glass, removable for easy cleaning

### 49. Number of preset programs:

100

### 50. Number of recipe steps:

9

### 51. Minimum device temperature [°C]:

50

### 52. Maximum device temperature [°C]:

300

### 53. Device heating type:

Combination of steam and hot air

### 54. HACCP:

Yes

### 55. Number of GN / EN:

7

### 56. GN / EN size in device:

GN 1/1

# Technical data sheet



Technical parameters

Combi convection steam oven electric 7x GN 1/1, 12,6 kW, direct steam, touch screen, automatic cleaning, left door

<b>Model</b>	<b>SAP Code</b>	00014272
--------------	-----------------	----------

**57. GN device depth:**

65

**58. Food regeneration:**

Yes