

Technical data sheet

Product features



Cooking range solid top electric 4x plate on open cabinet 400 V

Model	SAP Code	00005888
--------------	-----------------	----------



- Device type: Electric unit
- Power consumption of the zone 1 [kW]: 2,5
- Power consumption of the zone 2 [kW]: 2,5
- Power consumption of the zone 3 [kW]: 2,5
- Power consumption of the zone 4 [kW]: 2,5
- Protection of controls: IPX5
- Material: Stainless steel

SAP Code	00005888	Number of zones	4
Net Width [mm]	800	Power consumption of the zone 1 [kW]	2,5
Net Depth [mm]	705	Power consumption of the zone 2 [kW]	2,5
Net Height [mm]	900	Power consumption of the zone 3 [kW]	2,5
Net Weight [kg]	115.00	Power consumption of the zone 4 [kW]	2,5
Power electric [kW]	10.000	Solid top dimensions [mm x mm]	770 x 570
Loading	400 V / 3N - 50 Hz		

Technical data sheet

Technical drawing

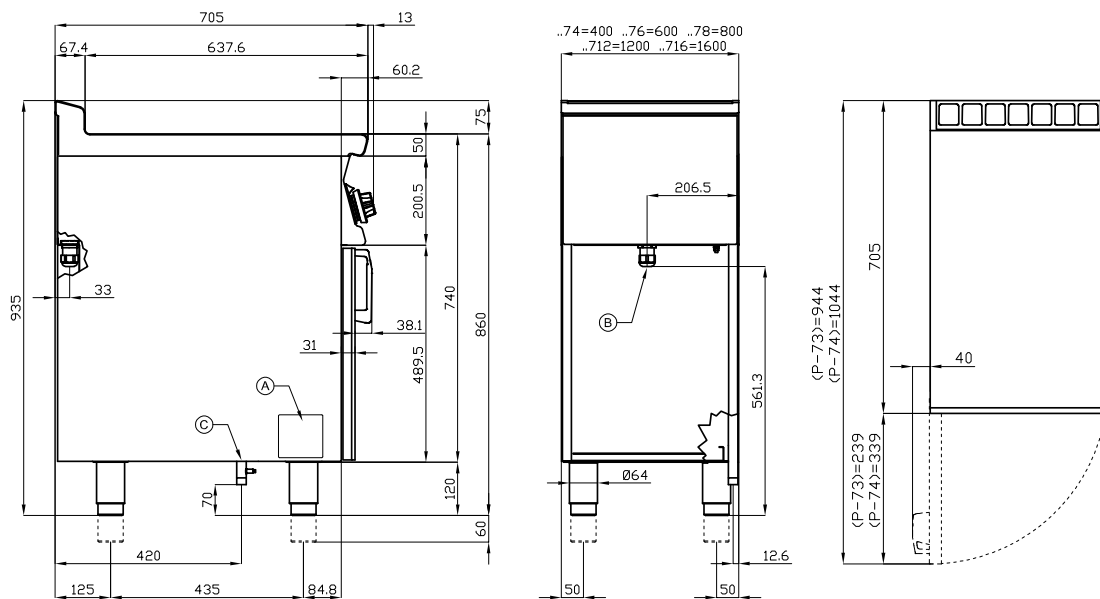


Cooking range solid top electric 4x plate on open cabinet 400 V

Model

SAP Code

00005888



A	Data plate	B	Electrical connection
---	------------	---	-----------------------

Technical data sheet

Product benefits



Cooking range solid top electric 4x plate on open cabinet 400 V

Model

SAP Code

00005888

1

Massive thal

20mm material ensures even distribution of heat and heating of the product (heating several pots at the same time at the same temperature)

material resistance

long life

- saving time
- ease of use
- savings on service interventions

2

Hygienic moldings of the top plate

absence of sharp corners and edges (potential places where dirt could stick)

smooth transitions

- easy quick cleaning

3

Degree of protection of the control elements IPX5

maintenance-free system

resistance to splash water

long life

- savings on service interventions
- easy cleaning and maintenance of equipment

4

All-stainless design

the material does not cut

wear resistance of the material

long life

- savings on service interventions
- easy cleaning and maintenance of equipment

5

Safety element "thermocouple"

safe operation for personnel

there is no overheating and damage to the thallus

long life

- savings on service interventions
- easier and faster operation

Technical data sheet

Technical parameters



Cooking range solid top electric 4x plate on open cabinet 400 V

Model

SAP Code

00005888

1. SAP Code:

00005888

2. Net Width [mm]:

800

3. Net Depth [mm]:

705

4. Net Height [mm]:

900

5. Net Weight [kg]:

115.00

6. Gross Width [mm]:

830

7. Gross depth [mm]:

770

8. Gross Height [mm]:

1110

9. Gross Weight [kg]:

121.00

10. Device type:

Electric unit

11. Construction type of device:

With substructure

12. Power electric [kW]:

10.000

13. Loading:

400 V / 3N - 50 Hz

14. Protection of controls:

IPX5

15. Material:

Stainless steel

16. Worktop type:

Molded - comfortable cleaning maintenance

17. Worktop Thickness [mm]:

2.00

18. Number of zones:

4

19. Power consumption of the zone 1 [kW]:

2,5

20. Power consumption of the zone 2 [kW]:

2,5

21. Power consumption of the zone 3 [kW]:

2,5

22. Power consumption of the zone 4 [kW]:

2,5

23. Maximum device temperature [°C]:

450

24. Minimum device temperature [°C]:

50

25. Number of power control stages:

6

26. Service accessibility:

From the front by removing the front panel and waste fluid containers

27. Safety element:

thermocouple safety feature

28. Safety thermocouple:

Yes

Technical data sheet

Technical parameters



Cooking range solid top electric 4x plate on open cabinet 400 V

Model	SAP Code	00005888
--------------	-----------------	----------

29. Adjustable feet:

Yes

33. Solid top thickness [mm]:

20

30. Additional information:

separate control of individual zones
door not included - available for purchase

34. Solid top dimensions [mm x mm]:

770 x 570

31. Number of burners/hot plates:

4

35. Solid top ignition:

Electric

32. Type of electric cooking zones:

TÄ~lovÄ©