

Technical data sheet



Product features

Plate warmer 120

| | | |
|--------------|-----------------|----------|
| Model | SAP Code | 00002848 |
|--------------|-----------------|----------|

– Material: Stainless steel



| | | | |
|------------------------|----------|--|--------------------|
| SAP Code | 00002848 | Power electric [kW] | 1.500 |
| Net Width [mm] | 800 | Loading | 230 V / 1N - 50 Hz |
| Net Depth [mm] | 422 | Minimum device temperature [°C] | 30 |
| Net Height [mm] | 820 | Maximum device temperature [°C] | 90 |
| Net Weight [kg] | 44.00 | | |

Technical data sheet



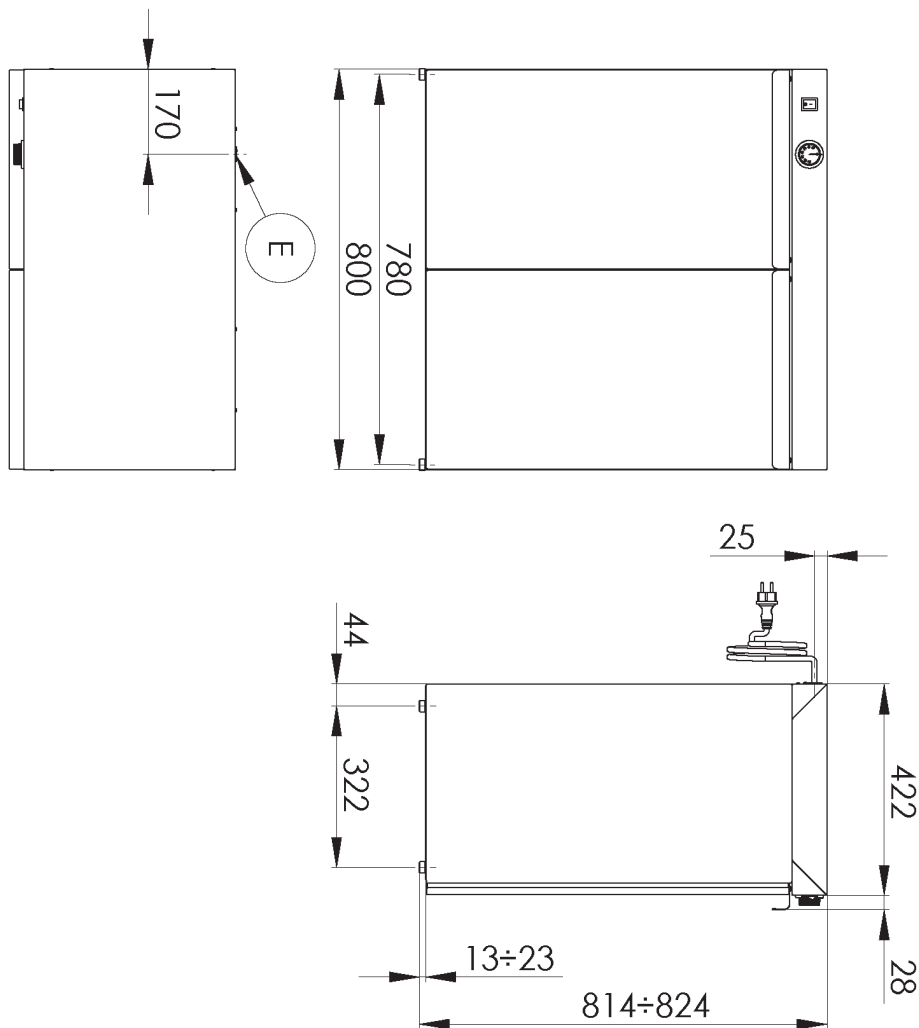
Technical drawing

Plate warmer 120

Model

SAP Code

00002848



Technical data sheet



Technical parameters

Plate warmer 120

Model

SAP Code

00002848

1. SAP Code:

00002848

2. Net Width [mm]:

800

3. Net Depth [mm]:

422

4. Net Height [mm]:

820

5. Net Weight [kg]:

44.00

6. Gross Width [mm]:

541

7. Gross depth [mm]:

860

8. Gross Height [mm]:

940

9. Gross Weight [kg]:

45.00

10. Power electric [kW]:

1.500

11. Loading:

230 V / 1N - 50 Hz

12. Minimum device temperature [°C]:

30

13. Maximum device temperature [°C]:

90

14. Device type:

Electric unit

15. Device color:

Stainless steel

16. Material:

Stainless steel

17. Device properties:

Warmed

18. Opening of device:

Two-sided