

# Technical data sheet



## Product features

### Cooking range electric 4x plate without cabinet 400 V

|              |                 |          |
|--------------|-----------------|----------|
| <b>Model</b> | <b>SAP Code</b> | 00004089 |
|--------------|-----------------|----------|



- Device type: Electric unit
- Power consumption of the zone 1 [kW]: 2
- Power consumption of the zone 2 [kW]: 2
- Power consumption of the zone 3 [kW]: 2
- Power consumption of the zone 4 [kW]: 2
- Protection of controls: IPX4
- Material: AISI 304 top plate, AISI 430 cladding

|                            |          |   |                    |
|----------------------------|----------|---|--------------------|
| <b>SAP Code</b>            | 00004089 | <b>Loading</b>                              | 400 V / 3N - 50 Hz |
| <b>Net Width [mm]</b>      | 658      | <b>Number of zones</b>                      | 4                  |
| <b>Net Depth [mm]</b>      | 609      | <b>Power consumption of the zone 1 [kW]</b> | 2                  |
| <b>Net Height [mm]</b>     | 290      | <b>Power consumption of the zone 2 [kW]</b> | 2                  |
| <b>Net Weight [kg]</b>     | 25.00    | <b>Power consumption of the zone 3 [kW]</b> | 2                  |
| <b>Power electric [kW]</b> | 8.000    | <b>Power consumption of the zone 4 [kW]</b> | 2                  |

# Technical data sheet



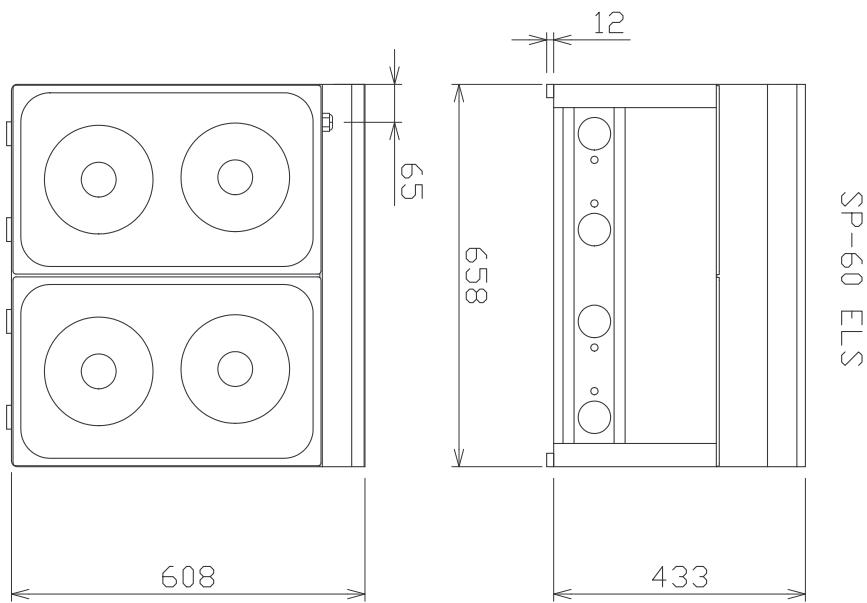
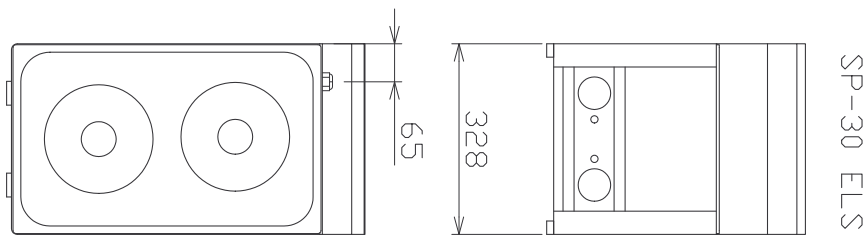
Technical drawing

Cooking range electric 4x plate without cabinet 400 V

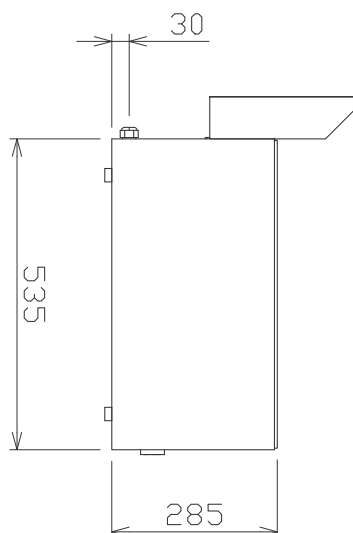
Model

SAP Code

00004089



SP-30,60 ELS



# Technical data sheet



## Product benefits

### Cooking range electric 4x plate without cabinet 400 V

|              |                 |          |
|--------------|-----------------|----------|
| <b>Model</b> | <b>SAP Code</b> | 00004089 |
|--------------|-----------------|----------|

1

#### Internal thermostatic plate protection

longer service life of the plates  
– no overheating of the plates and no cracking

2

#### Degree of protection of the control elements IPX4

maintenance-free system  
resistance to splash water  
long life  
– savings on service interventions  
– greater job security for staff

3

#### All stainless steel design

long life  
resistance of AISI 304 stainless steel material  
the material does not cut  
– savings on service interventions  
– easy cleaning and maintenance of equipment

4

#### Hygienic moldings of the top plate

absence of sharp corners and edges (potential places where dirt could stick)  
smooth transitions  
– easy quick cleaning

5

#### Cooking unit for use on a table or on a base

absence of sharp corners and edges (potential places where dirt could stick)  
smooth transitions  
– easy handling  
– cost savings on substructure

# Technical data sheet



## Technical parameters

### Cooking range electric 4x plate without cabinet 400 V

**Model**

**SAP Code**

00004089

**1. SAP Code:**

00004089

**2. Net Width [mm]:**

658

**3. Net Depth [mm]:**

609

**4. Net Height [mm]:**

290

**5. Net Weight [kg]:**

25.00

**6. Gross Width [mm]:**

725

**7. Gross depth [mm]:**

710

**8. Gross Height [mm]:**

540

**9. Gross Weight [kg]:**

26.00

**10. Device type:**

Electric unit

**11. Construction type of device:**

Table top

**12. Power electric [kW]:**

8.000

**13. Loading:**

400 V / 3N - 50 Hz

**14. Protection of controls:**

IPX4

**15. Material:**

AISI 304 top plate, AISI 430 cladding

**16. Indicators:**

operation

**17. Worktop material:**

AISI 304

**18. Worktop Thickness [mm]:**

0.80

**19. Number of zones:**

4

**20. Power consumption of the zone 1 [kW]:**

2

**21. Power consumption of the zone 2 [kW]:**

2

**22. Power consumption of the zone 3 [kW]:**

2

**23. Power consumption of the zone 4 [kW]:**

2

**24. Maximum device temperature [°C]:**

400

**25. Minimum device temperature [°C]:**

50

**26. Number of power control stages:**

6

**27. Adjustable feet:**

Yes

**28. Number of burners/hot plates:**

4

# Technical data sheet



Technical parameters

Cooking range electric 4x plate without cabinet 400 V

Model

SAP Code

00004089

## 29. Type of electric cooking zones:

Oval