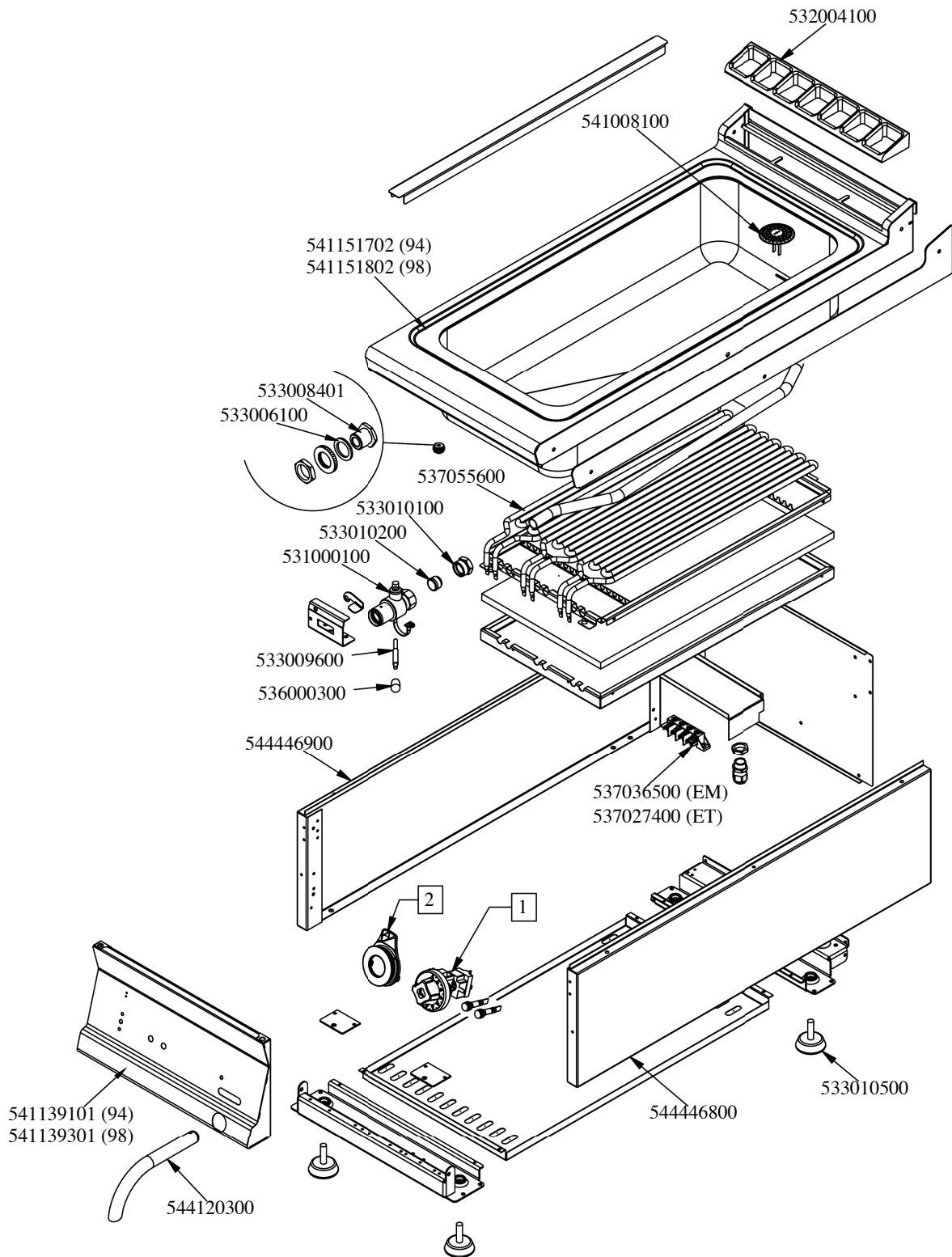


BMT-98ET

2021_11

1





BMT-98ET

2021_11

1

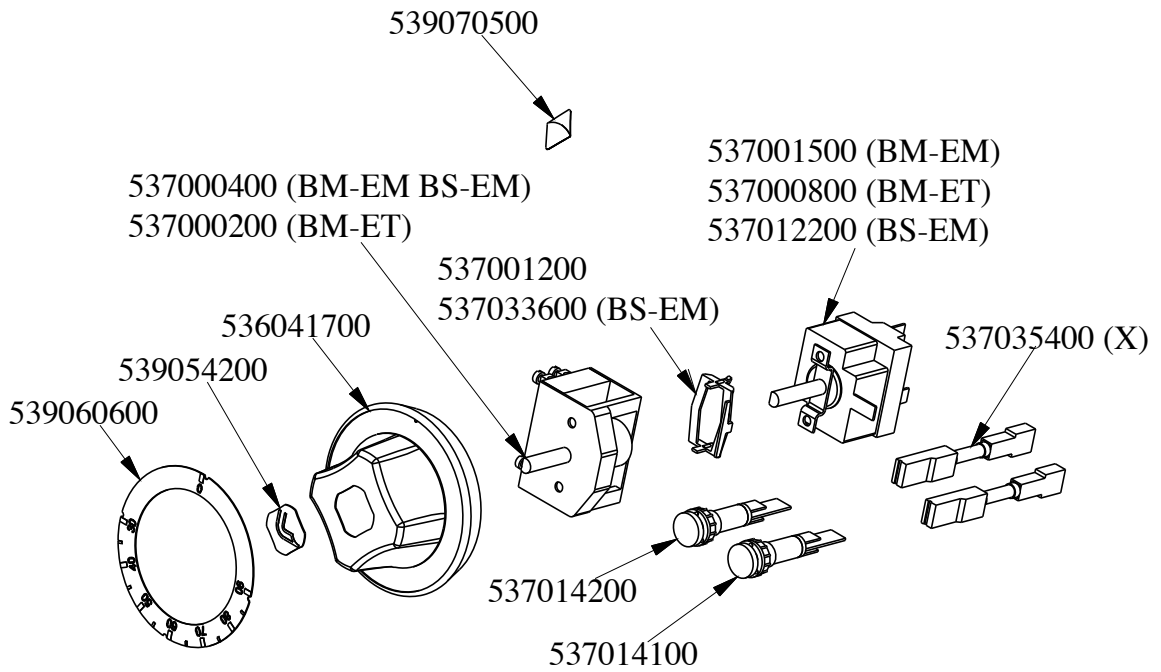
Kod	Nazev
541151802	ASS.PIANO S90 BMT-98E (RIC)
537055600	HEATING ELEMENT * BM90 0950W 1-230V
531000100	DRAIN COCK 3/4"
533009600	DRAIN COCK HANDLE
536000300	FIXED GRIP D.15*25*M6
544446900	LHD SIDE FOR 90T APPLIANCES
533010200	BICONE 18S
533010100	3/4 D. 18 PIPE UNION
541139301	ASS.CRUSC.S607090 BMT-78/98E
532004100	FLUE GRID L=370 90LINE (RAF)
541008100	DRAIN FILTER TANK CP 700LINE
544120300	DRAIN PIPE 22 FOR COCK 3/4"G
537027400	TERMINAL BLOCK THREEPHASE 40A
533006100	GASKET D.20
533008401	RACC.PASSAC.M09 FISS.M14 H16
533010500	LEG M10*25 D.40
544446800	FIANCO APP.S90T DX



BMT-98ET

2021_11

2





BMT-98ET

2021_11

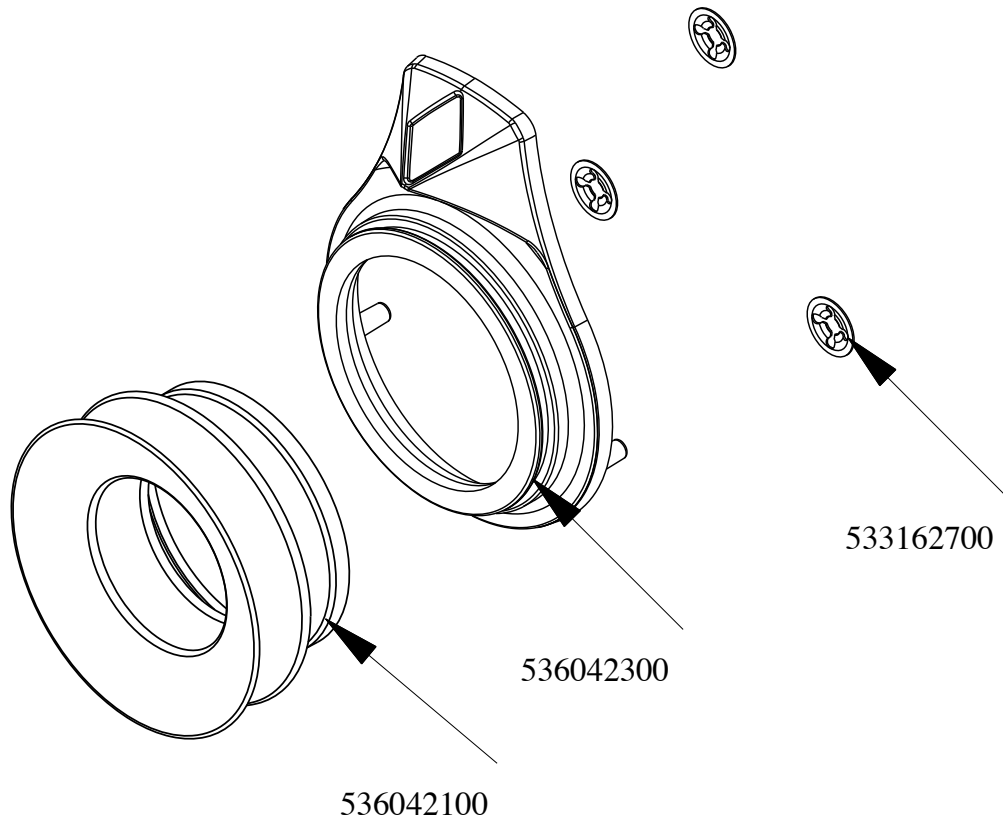
2

Kod	Nazev
539060600	RED STICKING DISK 72 (030,090°)
539054200	STAMP Ø20,5 CR."L" LOTUS R.
536041700	SILVER CHROM. KNOB Ø77 4P.G.Ø06X4,6
537000400	COMMUTATOR 1POS.SINGLEPHASE S49 16A
537000200	COMMUTATOR 1 POS. 3PHASE S.49 16A
539070500	ADHES.LABEL FOR RING RED SIGN.
537014200	GREEN WARNING LIGHT 250V
537014100	WHITE WARNING LIGHT 250V
537001200	FIXING BRACKET FOR THERMOSTAT/COMM.
537033600	FIXING BRACKET FOR THERMOSTAT/COMM.
537001500	THERMOSTAT 30-90°C SINGLEPHASE
537000800	THERMOSTAT 30-90°C THREEPHASE
537012200	THERMOSTAT 30/110°C SINGLEPHASE
537035400	HEATING ELEMENT 00003W 330KOHM W/F

BMT-98ET

2021_11

3





BMT-98ET

2021_11

3

Kod	Nazev
536042300	SILVER CHROM. RING FOR KNOB Ø77 4 P
536042100	SEAL CASING FOR KNOB Ø77 4 P
533162700	PROCESSING CODE