

# Technical data sheet

## Product features



### Cooking range electric 4x plate without cabinet 400 V

<b>Model</b>	<b>SAP Code</b>	00002989
--------------	-----------------	----------



- Device type: Electric unit
- Power consumption of the zone 1 [kW]: 2,6
- Power consumption of the zone 2 [kW]: 2,6
- Power consumption of the zone 3 [kW]: 2,6
- Power consumption of the zone 4 [kW]: 2,6
- Protection of controls: IPX5
- Material: Stainless steel

<b>SAP Code</b>	00002989	<b>Number of zones</b>	4
<b>Net Width [mm]</b>	800	<b>Power consumption of the zone 1 [kW]</b>	2,6
<b>Net Depth [mm]</b>	705	<b>Power consumption of the zone 2 [kW]</b>	2,6
<b>Net Height [mm]</b>	280	<b>Power consumption of the zone 3 [kW]</b>	2,6
<b>Net Weight [kg]</b>	60.00	<b>Power consumption of the zone 4 [kW]</b>	2,6
<b>Power electric [kW]</b>	10.400	<b>Diameter of device [mm]</b>	220
<b>Loading</b>	400 V / 3N - 50 Hz		

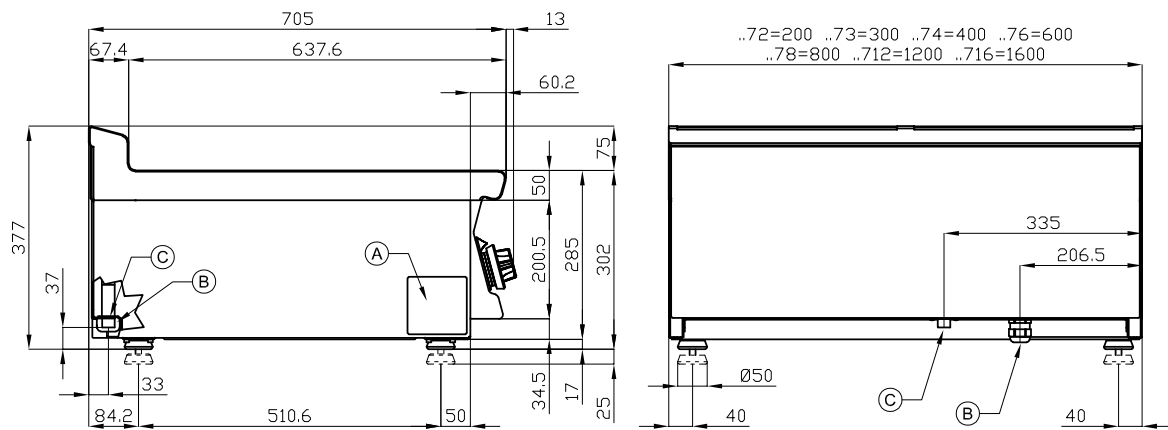
# Technical data sheet

Technical drawing



## Cooking range electric 4x plate without cabinet 400 V

<b>Model</b>	<b>SAP Code</b>	00002989
--------------	-----------------	----------



A	Data plate		B	Electrical connection	
---	------------	--	---	-----------------------	--

# Technical data sheet

## Product benefits



### Cooking range electric 4x plate without cabinet 400 V

Model

SAP Code

00002989

1

#### Internal thermostatic plate protection

longer service life of the plates

- no overheating of the plates and no cracking

2

#### Degree of protection of the control elements IPX5

maintenance-free system

resistance to splash water

long life

- savings on service interventions
- easy cleaning and maintenance of equipment

3

#### All-stainless design

the material does not cut

wear resistance of the material

long life

- savings on service interventions
- easy cleaning and maintenance of equipment

4

#### Hygienic moldings of the top plate

absence of sharp corners and edges (potential places where dirt could stick)

smooth transitions

- easy quick cleaning

5

#### Cooking unit for use on a table or on a base

variability

- easy handling
- cost savings on substructure

# Technical data sheet

Technical parameters



## Cooking range electric 4x plate without cabinet 400 V

Model

SAP Code

00002989

### 1. SAP Code:

00002989

### 2. Net Width [mm]:

800

### 3. Net Depth [mm]:

705

### 4. Net Height [mm]:

280

### 5. Net Weight [kg]:

60.00

### 6. Gross Width [mm]:

830

### 7. Gross depth [mm]:

770

### 8. Gross Height [mm]:

540

### 9. Gross Weight [kg]:

63.00

### 10. Device type:

Electric unit

### 11. Construction type of device:

Table top

### 12. Power electric [kW]:

10.400

### 13. Loading:

400 V / 3N - 50 Hz

### 14. Protection of controls:

IPX5

### 15. Material:

Stainless steel

### 16. Worktop material:

AISI 304

### 17. Worktop Thickness [mm]:

2.00

### 18. Number of zones:

4

### 19. Power consumption of the zone 1 [kW]:

2,6

### 20. Power consumption of the zone 2 [kW]:

2,6

### 21. Power consumption of the zone 3 [kW]:

2,6

### 22. Power consumption of the zone 4 [kW]:

2,6

### 23. Maximum device temperature [°C]:

300

### 24. Minimum device temperature [°C]:

50

### 25. Number of power control stages:

7

### 26. Service accessibility:

From the front by removing the front panel and waste fluid containers

# Technical data sheet

Technical parameters



## Cooking range electric 4x plate without cabinet 400 V

<b>Model</b>	<b>SAP Code</b>	00002989
--------------	-----------------	----------

### 27. Safety element:

internal thermostatic protection of the hotplate against overheating

### 30. Diameter of device [mm]:

220

### 28. Safety thermostat:

Yes

### 31. Type of electric cooking zones:

Oval

### 29. Number of burners/hot plates:

4