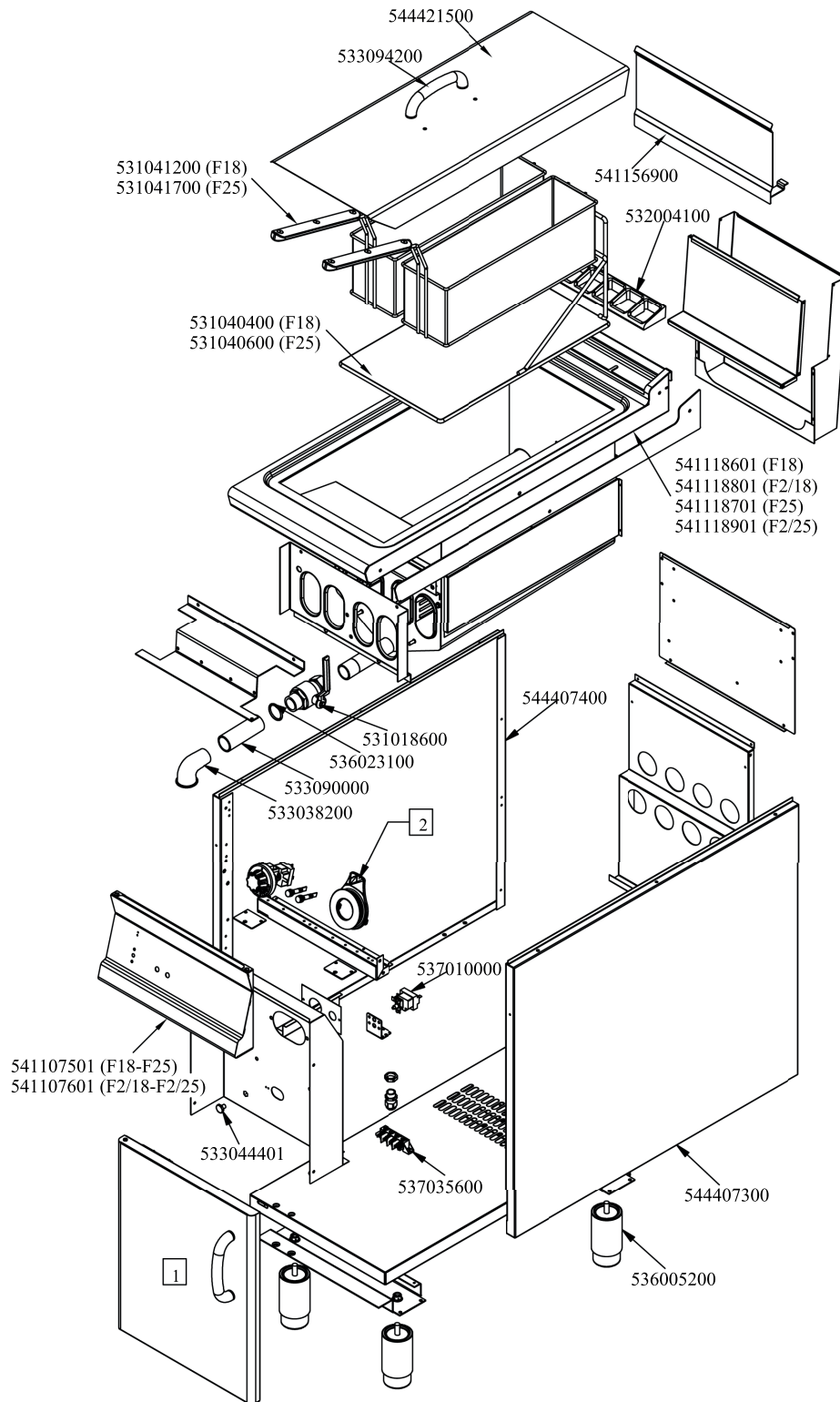
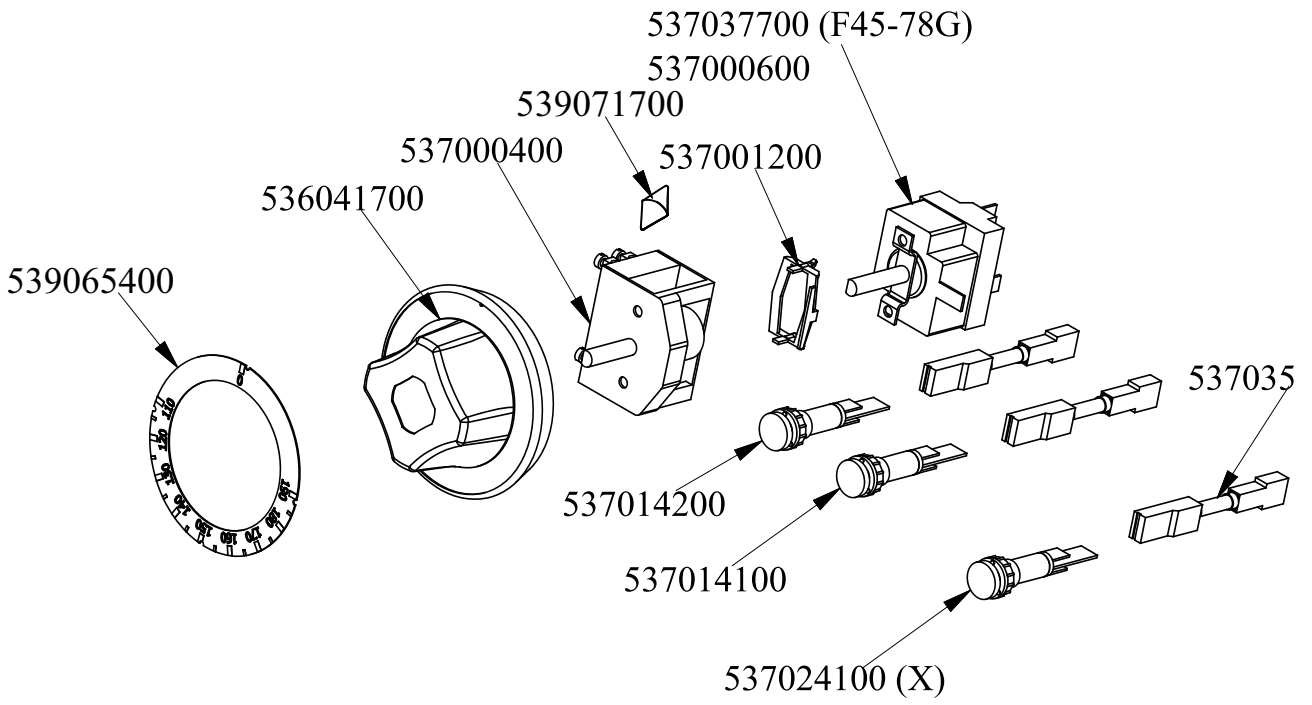


RM 900
 Platný od 1.5. 2019
 F25-94G





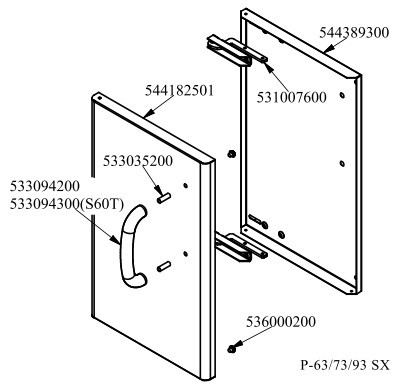
Objednací kód	Popis v ENG
533094200	S/S HANDLE FOR 70/90 SERIES
541107501	FRONTAL PANEL S607090 F 13 -74E
541118601	
531040400	TANK FILTER/BASKET SUPPORT F18-94G
531041200	BASKET FOR F18-94G 280X450X150
537010000	SAFETY THERMOSTAT 220°C SINGLEPHASE
531018600	BALL VALVE 1"G M-F CPM-62G
536023100	O-RING GASKET 31,34X3,53 VITON
533090000	
544407400	LEFT SIDE PANEL 70 LINE
533044401	M8 THREADED CAP FOR SEC.THERMOSTAT
544421500	LID FOR FRYER 90 LINE
532004100	FLUE GRID L=370 90LINE (RAF)
533038200	1" G M-F ELBOW FITTING
544407300	RIGHT SIDE PANEL 90 LINE
536005200	INOX LEG 2" 120-180 M10
541156900	DISCHARGE PROTECTION S70
537035600	OVEN COMMUTATOR * EL. 60+65LINES
-	-
-	-
-	-



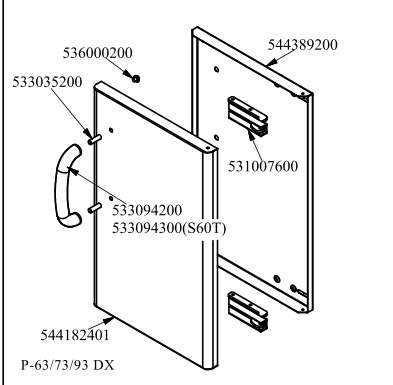
560100201M00P00



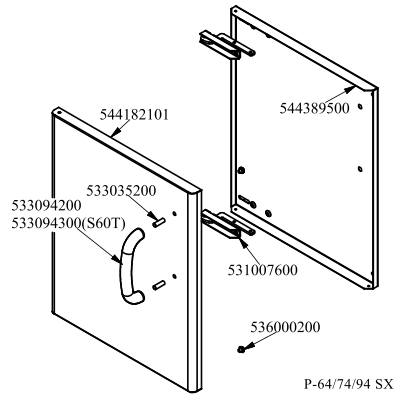
Objednací kód	Popis v ENG
539065400	BLACK STICKING DISK 72 (110,190°)
536041700	SILVER CHROM. KNOB Ø77 4P.G.Ø06X4,6
537000400	COMMUTATOR 1POS.SINGLEPHASE S49 16A
539071700	ADHES.LABEL FOR RING GREEN SIGN.
537001200	FIXING BRACKET FOR THERMOSTAT/COMM.
537037700	THERMOSTAT MONOPHASE 104-192°C
537000600	THERMOSTAT 90-180°C SINGLEPHASE
537014200	GREEN WARNING LIGHT 250V
537014100	WHITE WARNING LIGHT 250V
537024100	RED WARNING LIGHT LOW BUD 110V
537035400	HEATING ELEMENT 00003W 330KOHM W/F



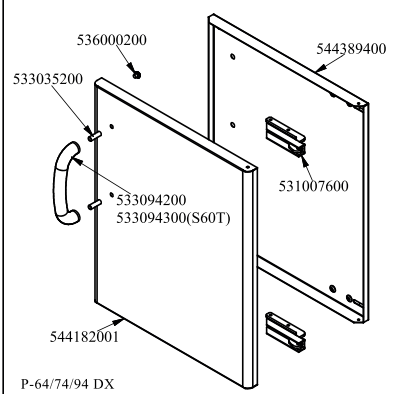
P-63/73/93 SX



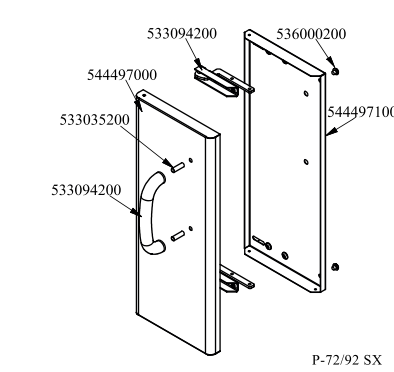
P-63/73/93 DX



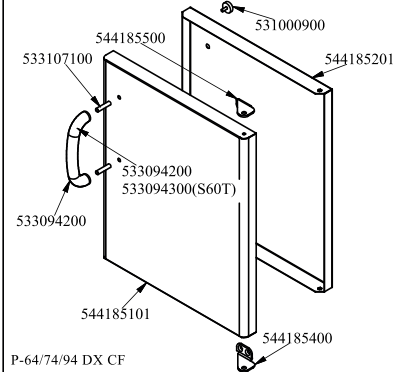
P-64/74/94 SX



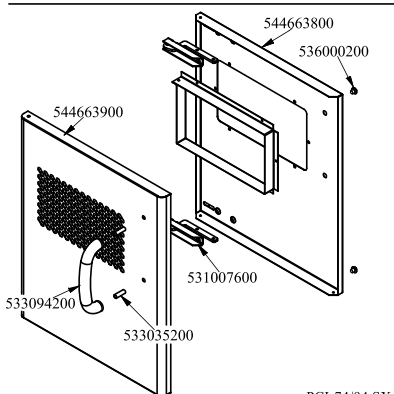
P-64/74/94 DX



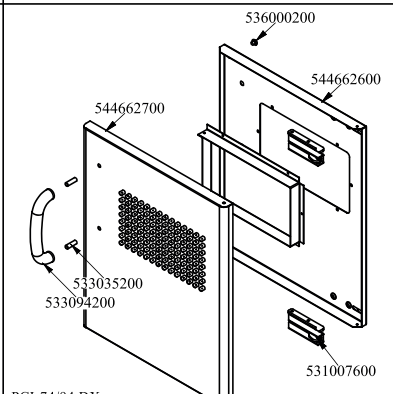
P-72/92 SX



P-64/74/94 DX CF



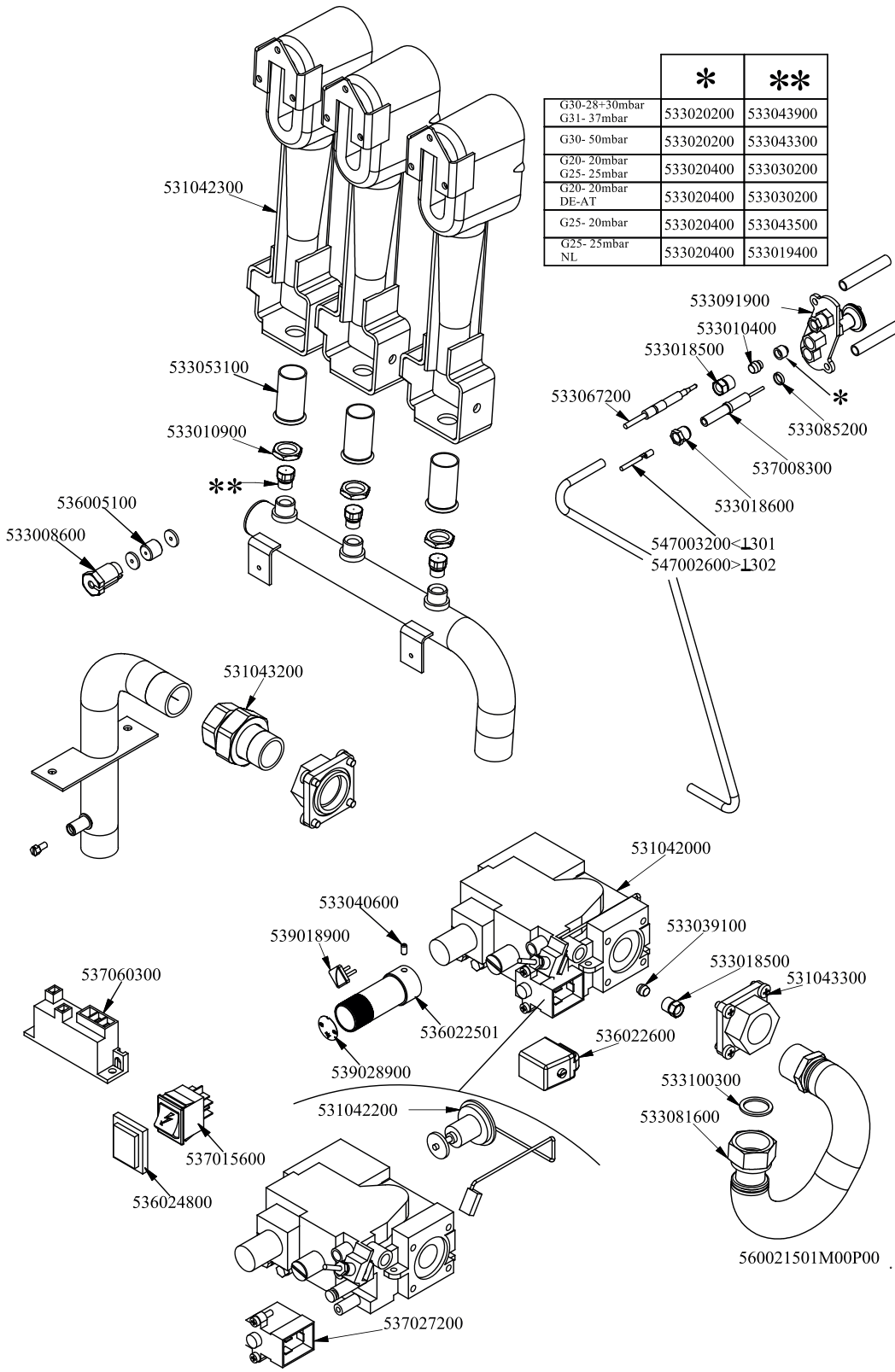
PCI-74/94 SX



PCI-74/94 DX



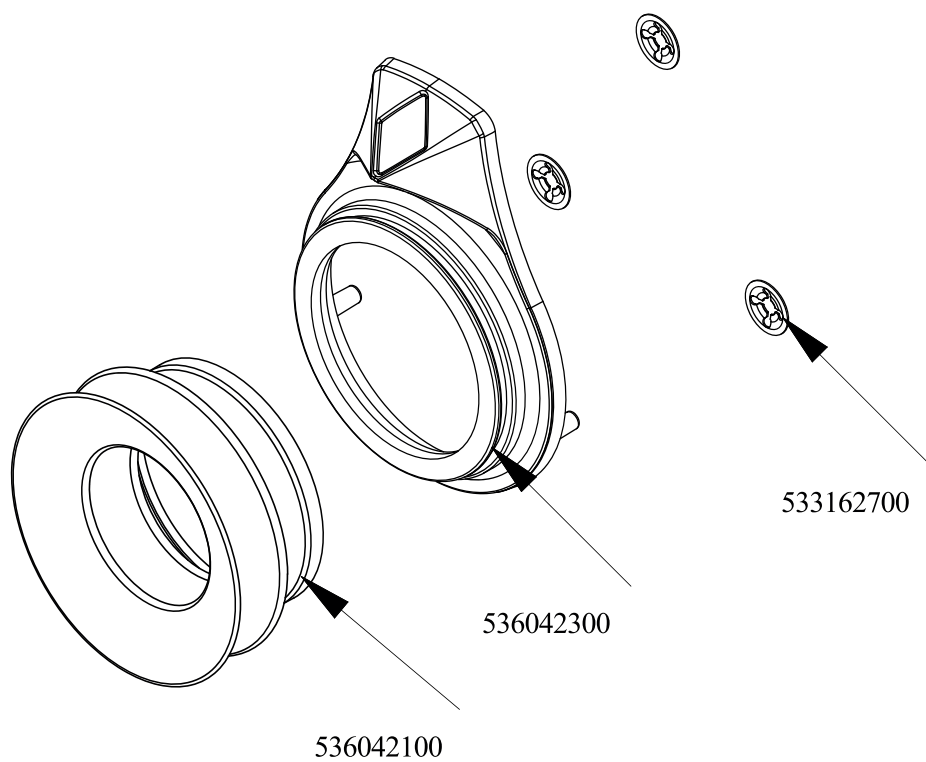
Objednačí kód	Popis v ENG
544185101	RIGHT DOOR 74 CF
533107100	HANDLE SPACER OF CF-70
533094200	S/S HANDLE FOR 70/90 SERIES
544185400	LOWER DOOR HINGE FOR COMPARTME CF70
544185500	UPPER DOOR HINGE FOR COMPARTME CF70
544185201	INNER DOOR * 74DX
531000900	MAGNET §22 KG.3 WITH DISK
536000200	D.12 H.4 BUMPER
544182001	RIGHT DOOR 74
531007600	DOOR HINGE
544389400	
533035200	HANDLE SPACER
544182101	LEFT DOOR 74
544389500	INNER-DOOR OF LHD 74
544182401	RIGHT DOOR 73
544389200	
544389300	
544182501	LEFT DOOR 73
544497000	
544497100	
544663900	LHD 74 DOOR FOR PCI
544663800	74 LHD OVEN INNER DOOR FOUR PCI
544662700	DOOR 74 DX PCI
544662600	
533094300	S/S HANDLE FOR 600T.LINE



	*	**
G30-28+30mbar G31- 37mbar	533020200	533043900
G30- 50mbar	533020200	533043300
G20- 20mbar G25- 25mbar	533020400	533030200
G20- 20mbar DE-AT	533020400	533030200
G25- 20mbar	533020400	533043500
G25- 25mbar NL	533020400	533019400



Objednačí kód	Popis v ENG
533010900	NUT M14*1 H.4
531043200	FEMALE/MALE FITTING 3PCS.3/4G
539018900	INDEX FOR KNOB W/RED SIGN
531043300	3/4 STRAIGHT FITTING W/SCREWS+ORING
531042300	FRYER BURNER 90.LINE
536022600	BOBINE LID FOR 820 NOVA VALVE
531042000	NOVA VALVE 820
533039100	BICONE §6
533018500	FITTING FOR BICONE D.6 M10*1
537027200	BOBINE FOR 820 NOVA VALVE
531042200	MAGNET FOR VALVE 820 NOVA/MILLIVOLT
533020200	PILOT JETS 0160 FOR LPG §30
533020400	NOZZLE 0160 (NATURAL GAS) 51
533043900	NOZZLE §115 CH12*14 F-CW4
533043300	NOZZLE §103 CH12*14 F-PC4 UR
533030200	NOZZLE §170 CH12*14 MH-FG L-FP/CW
533043500	NOZZLE §190 CH12*14 G25 PC4R
533019400	NOZZLE §180 CH12*14 L-FQ5
533081600	EXTENSIBLE STAINL.TUBEL.200-400 3/4
533091900	PILOT NOZZLE S.0160 3F + TC FITTING
533067200	THERMOCOUPLE 220+500 M9*1 CUT-OFF
533010400	BICONE D.6
533085200	SPACER FOR PILOT PLUG
537008300	ROUND PLUG §2,4- LONG ELECTRODE
533018600	PLUG FITTING
533100300	GASKET §23,8X§18,4X1,5
533053100	AIR ADJUSTMENT BUSHING §20
547003200	HIGH-VOLTAGE CABLE TUBE.§2 L=500
547002600	HIGH-VOLTAGE CABLE L=500
533040600	HEADLESS SCREW M4*8
536022501	HANDLE EXTENSION FOR 820NOVA VALVE
539028900	ADESIVE DISK FOR EXTENSION HANDLE
533008600	STUFFING BOX M9*1
536005100	GRAPHITE §07,4 GASKET
537015600	BIPOLAR SWITCH
536024800	HOOD WITH SWITCH FRAME
537060300	IGNITION CONTROL BOX 2F. V30



560125700M00P00



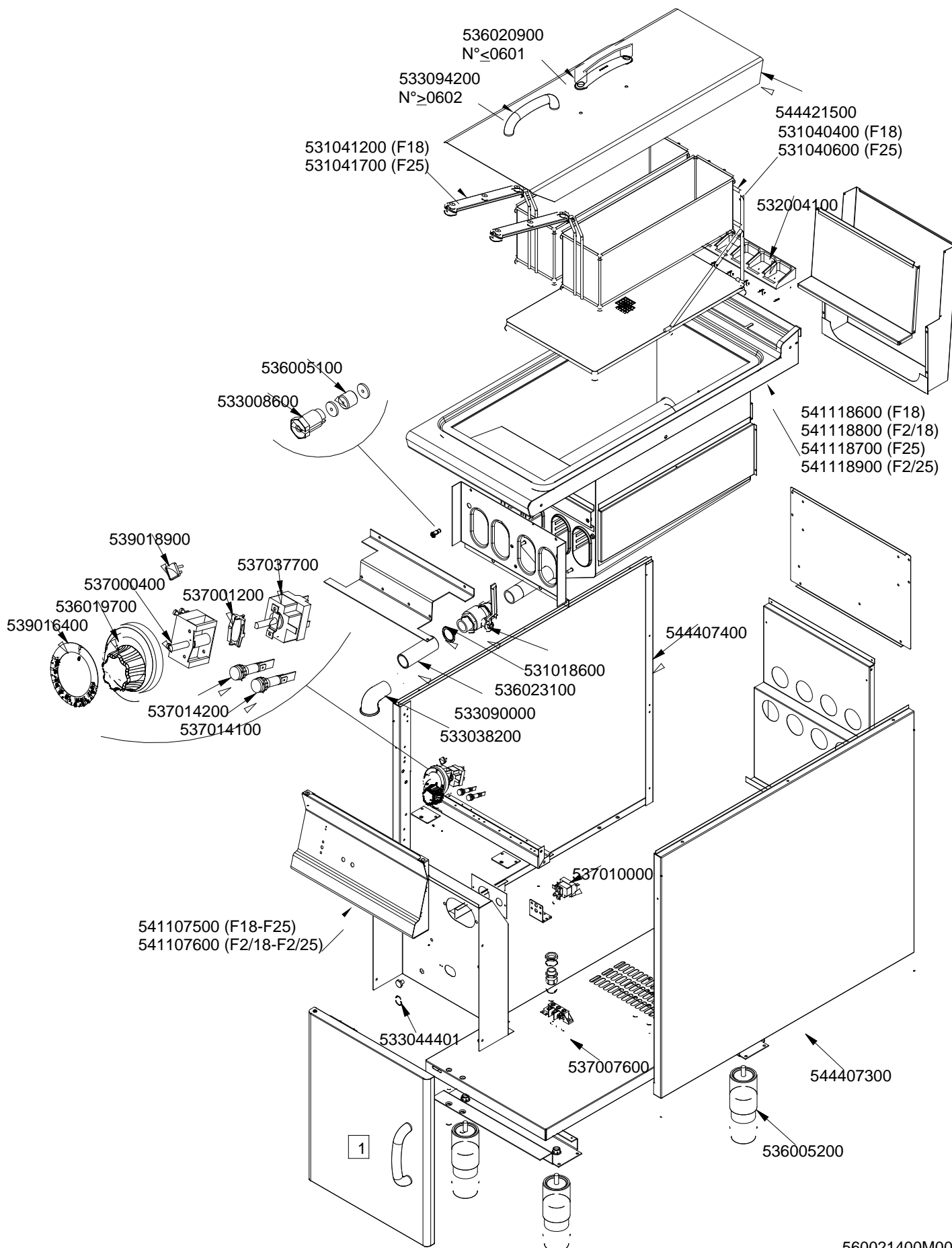
Objednací kód	Popis v ENG
536042300	SILVER CHROM. RING FOR KNOB Ø77 4 P
536042100	SEAL CASING FOR KNOB Ø77 4 P
533162700	PROCESSING CODE



F18 - 94 G, F2/18 - 98 G, F25 - 94 G, F2/25 - 98 G

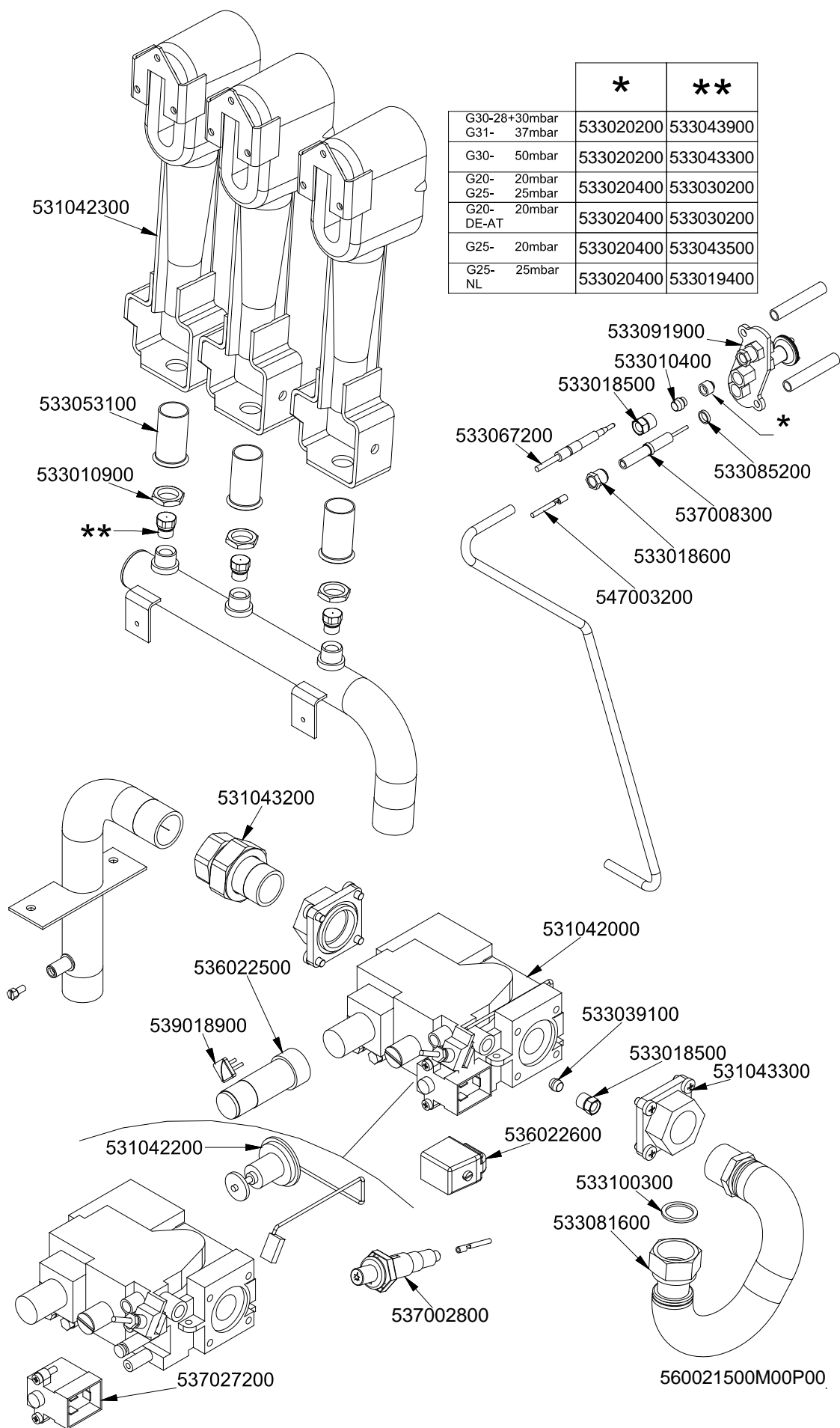
Platný od 1.5.2016

do 30.4.2019





F18 - 94 G, F2/18 - 98 G, F25 - 94 G, F2/25 - 98 G

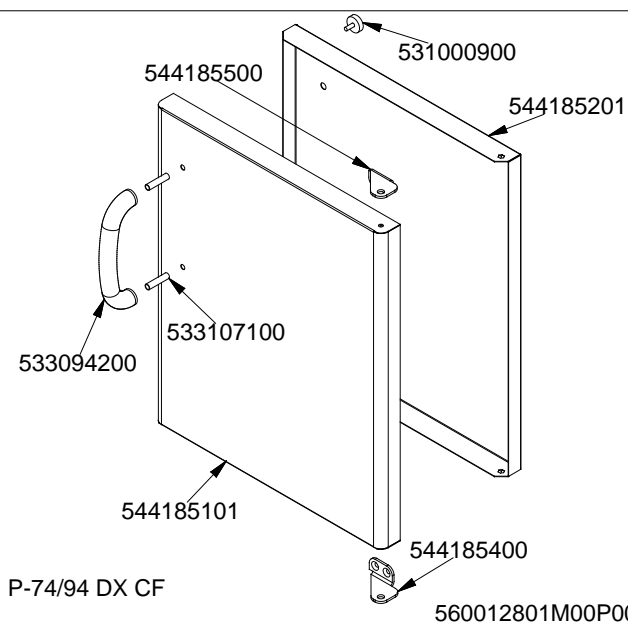
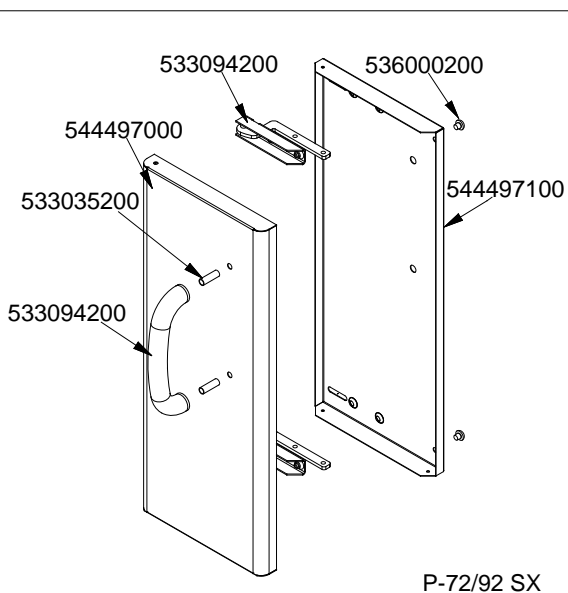
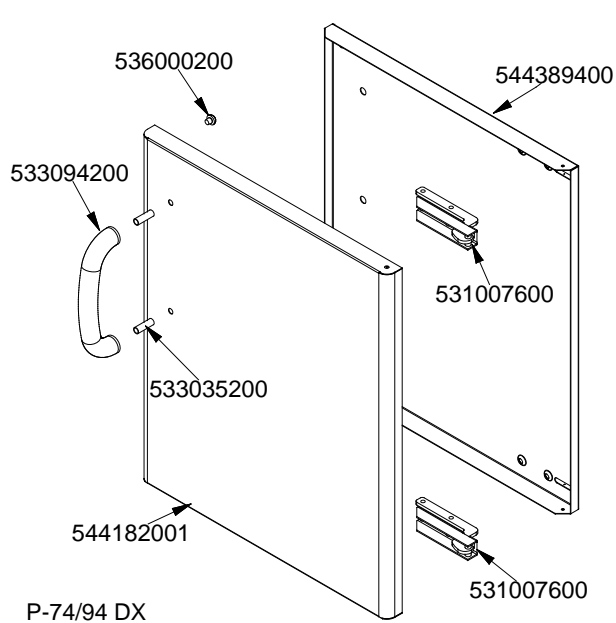
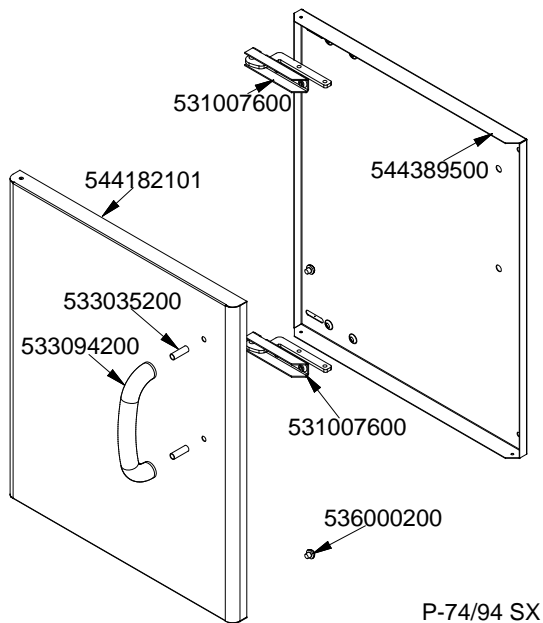
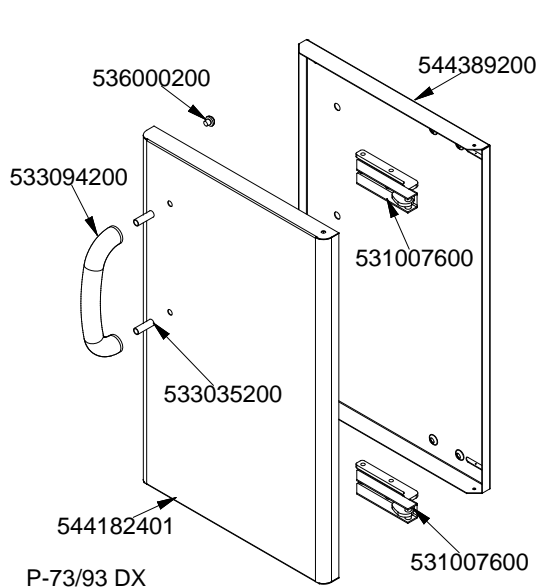
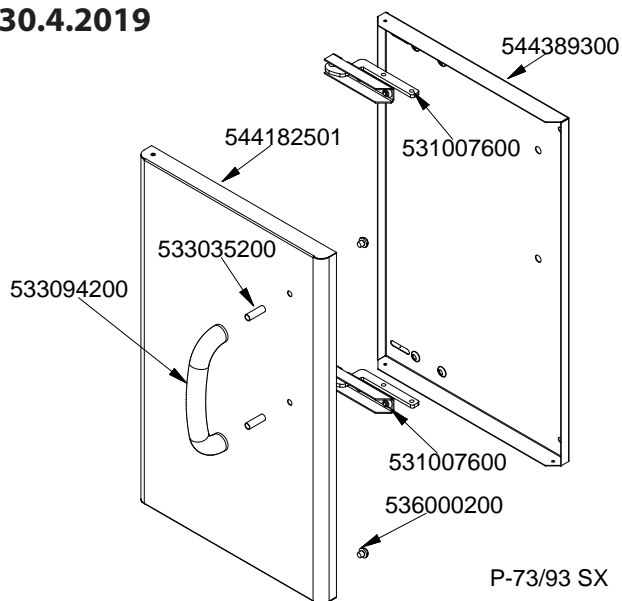


F18 - 94 G, F2/18 - 98 G, F25 - 94 G, F2/25 - 98 G

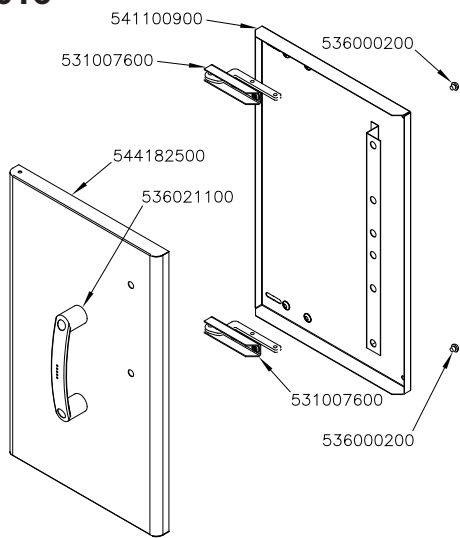
dveře N° od 0602

Platný od 1.5.2016

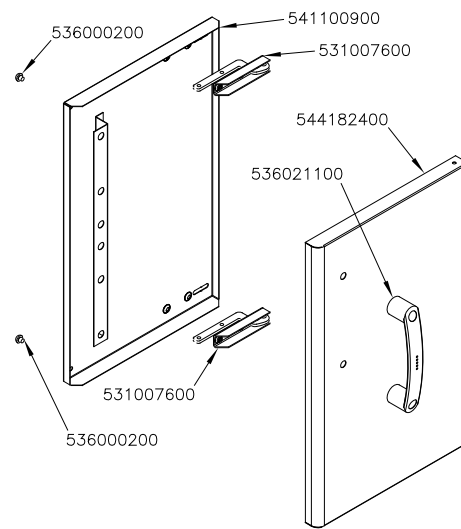
do 30.4.2019



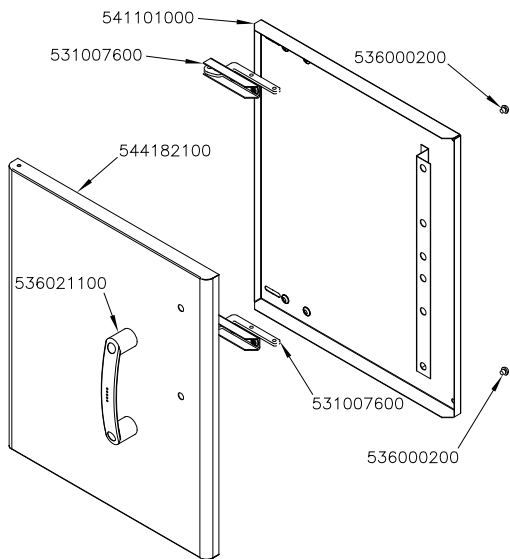
F18 - 94 G, F2/18 - 98 G, F25 - 94 G, F2/25 - 98 G
dveře N° do 0601
Platný od 1.5.2016
do 30.4.2019



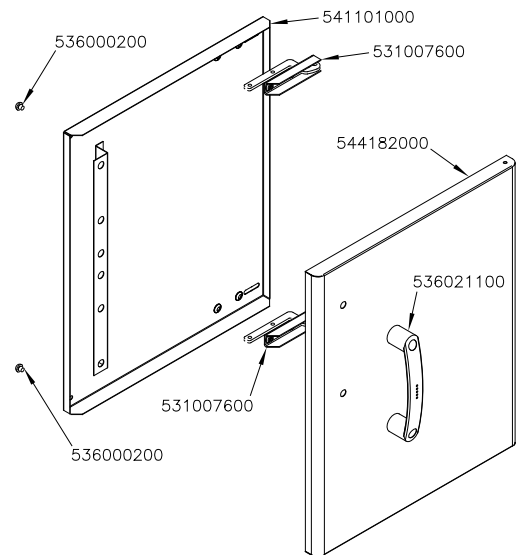
P-73/93 SX



P-73/93 DX

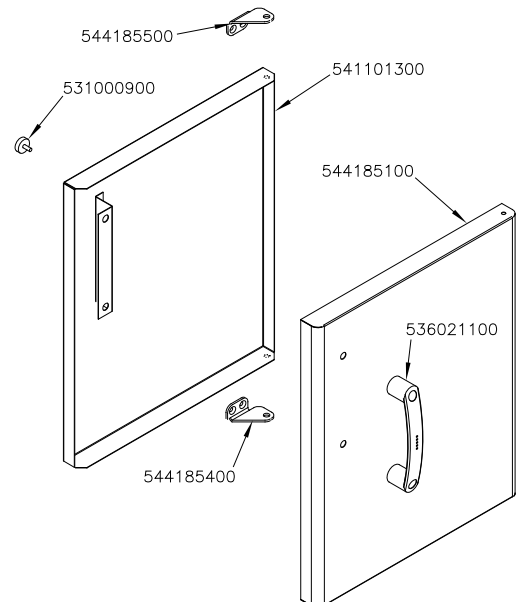


P-74/94 SX



P-74/94 DX

560012800M00P00



P-74/94 DX CF