

# Technical data sheet

## Product features



### Cooking range induction electric 4x plate on open cabinet 400 V

<b>Model</b>	<b>SAP Code</b>	00002972
--------------	-----------------	----------



- Device type: Electric unit
- Power consumption of the zone 1 [kW]: 5
- Power consumption of the zone 2 [kW]: 5
- Power consumption of the zone 3 [kW]: 5
- Power consumption of the zone 4 [kW]: 5
- Protection of controls: IPX5
- Material: Stainless steel

<b>SAP Code</b>	00002972	<b>Number of zones</b>	4
<b>Net Width [mm]</b>	800	<b>Power consumption of the zone 1 [kW]</b>	5
<b>Net Depth [mm]</b>	705	<b>Power consumption of the zone 2 [kW]</b>	5
<b>Net Height [mm]</b>	900	<b>Power consumption of the zone 3 [kW]</b>	5
<b>Net Weight [kg]</b>	65.00	<b>Power consumption of the zone 4 [kW]</b>	5
<b>Power electric [kW]</b>	20.000	<b>Ceramic glass dimensions [mm x mm]</b>	750 x 570
<b>Loading</b>	400 V / 3N - 50 Hz		

# Technical data sheet

Technical drawing

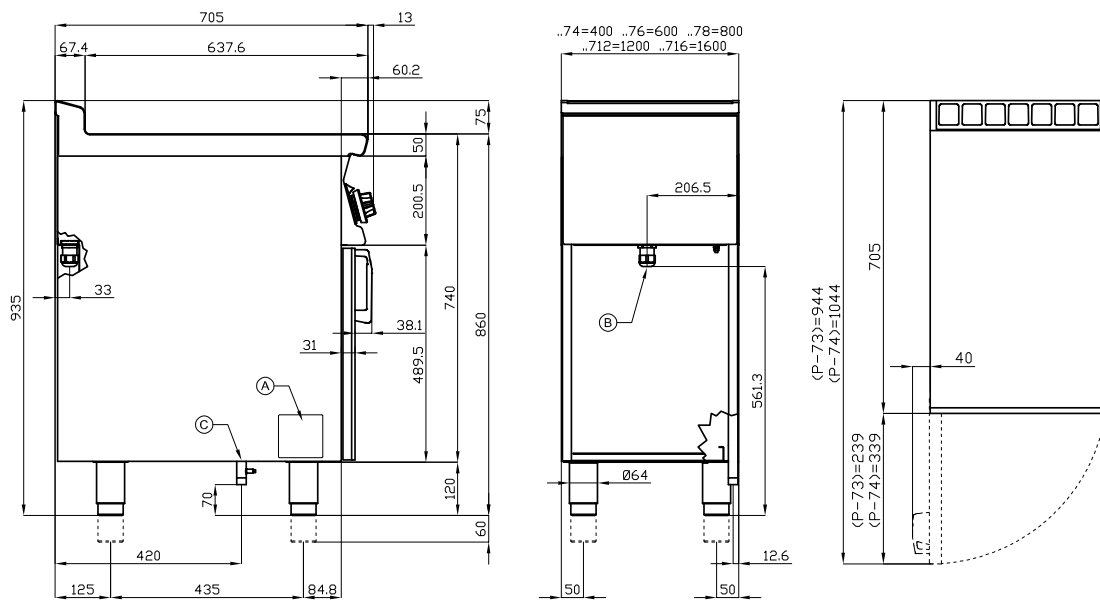


## Cooking range induction electric 4x plate on open cabinet 400 V

Model

SAP Code

00002972



A	Data plate	B	Electrical connection
---	------------	---	-----------------------

# Technical data sheet

## Product benefits



### Cooking range induction electric 4x plate on open cabinet 400 V

Model

SAP Code

00002972

1

#### Induction surface

fastest heating of the cooking zone  
precise heating only at the place where the container is placed

- time-saving for food preparation
- no reheating and long cooking times

2

#### Internal thermostatic plate protection

longer service life of the plates

- no overheating of the plates and no cracking

3

#### Degree of protection of the control elements IPX5

maintenance-free system  
resistance to splash water  
long life

- savings on service interventions
- easy cleaning and maintenance of equipment

4

#### All-stainless design

the material does not cut  
wear resistance of the material  
long life

- savings on service interventions
- easy cleaning and maintenance of equipment

5

#### Hygienic moldings of the top plate

absence of sharp corners and edges (potential places where dirt could stick)  
smooth transitions

- easy quick cleaning

# Technical data sheet

## Technical parameters



### Cooking range induction electric 4x plate on open cabinet 400 V

**Model**

**SAP Code**

00002972

**1. SAP Code:**

00002972

**2. Net Width [mm]:**

800

**3. Net Depth [mm]:**

705

**4. Net Height [mm]:**

900

**5. Net Weight [kg]:**

65.00

**6. Gross Width [mm]:**

830

**7. Gross depth [mm]:**

770

**8. Gross Height [mm]:**

1110

**9. Gross Weight [kg]:**

70.00

**10. Device type:**

Electric unit

**11. Construction type of device:**

With substructure

**12. Power electric [kW]:**

20.000

**13. Loading:**

400 V / 3N - 50 Hz

**14. Protection of controls:**

IPX5

**15. Material:**

Stainless steel

**16. Worktop type:**

Molded - comfortable cleaning maintenance

**17. Worktop material:**

Glass ceramics

**18. Worktop Thickness [mm]:**

2.00

**19. Standard equipment for device:**

with a door

**20. Number of zones:**

4

**21. Power consumption of the zone 1 [kW]:**

5

**22. Power consumption of the zone 2 [kW]:**

5

**23. Power consumption of the zone 3 [kW]:**

5

**24. Power consumption of the zone 4 [kW]:**

5

**25. Number of power control stages:**

7

**26. Service accessibility:**

From the front by removing the front panel and waste fluid containers

**27. Adjustable feet:**

Yes

**28. Additional information:**

contact ceramic plate - transfers energy directly to the food

# Technical data sheet

Technical parameters



**Cooking range induction electric 4x plate on open cabinet 400 V**

<b>Model</b>	<b>SAP Code</b>	00002972
--------------	-----------------	----------

**29. Number of burners/hot plates:**

4

**31. Ceramic glass dimensions [mm x mm]:**

750 x 570

**30. Type of electric cooking zones:**

Induction