

Technical data sheet

Product features



Electric fryer 13,5 kW

Model	SAP Code	00008526
--------------	-----------------	----------



- Basin volume [l]: 17
- Drain type: Trough the cabinet
- Maximum device temperature [°C]: 190
- Minimum device temperature [°C]: 50
- Material: AISI 304 top plate and cladding
- Heating location: Inside the tank
- Number of baskets: 1
- Basket dimensions [mm x mm x mm]: 280 x 300 x 120

SAP Code	00008526	Loading	400 V / 3N - 50 Hz
Net Width [mm]	400	Basin volume [l]	17
Net Depth [mm]	730	Number of basins	1
Net Height [mm]	900	Number of baskets	1
Net Weight [kg]	45.20	Basket dimensions [mm x mm x mm]	280 x 300 x 120
Power electric [kW]	13.500	Ratio power/volume [kW/l]	0.80

Technical data sheet

Technical drawing

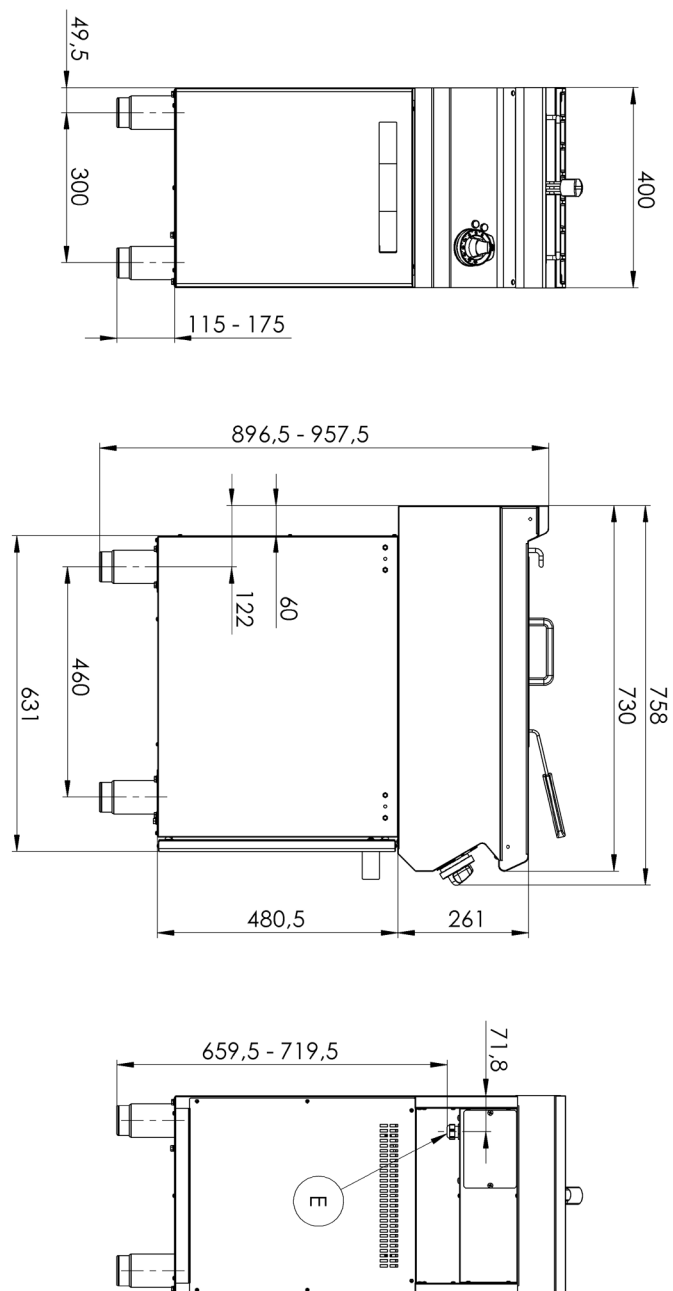


Electric fryer 13,5 kW

Model

SAP Code

00008526



Technical data sheet

Technical parameters



Electric fryer 13,5 kW

Model

SAP Code

00008526

1. SAP Code:

00008526

2. Net Width [mm]:

400

3. Net Depth [mm]:

730

4. Net Height [mm]:

900

5. Net Weight [kg]:

45.20

6. Gross Width [mm]:

440

7. Gross depth [mm]:

800

8. Gross Height [mm]:

1080

9. Gross Weight [kg]:

51.50

10. Device type:

Electric unit

11. Construction type of device:

With substructure

12. Power electric [kW]:

13.500

13. Loading:

400 V / 3N - 50 Hz

14. Protection of controls:

IPX4

15. Device color:

Stainless steel

16. Material:

AISI 304 top plate and cladding

17. Indicators:

operation and warm-up

18. Worktop type:

Molded - comfortable cleaning maintenance

19. Worktop material:

AISI 304

20. Worktop Thickness [mm]:

1.50

21. Device heating type:

Direct

22. Standard equipment for device:

lid and basket

23. Basin volume [l]:

17

24. Basin dimensions [mm x mm x mm]:

311 x 346 x 200

25. Maximum device temperature [°C]:

190

26. Minimum device temperature [°C]:

50

27. Service accessibility:

Trough the frontal panel

28. Safety thermostat:

Yes

Technical data sheet

Technical parameters



Electric fryer 13,5 kW

Model

SAP Code

00008526

29. Safety thermostat up to x ° C:

235

34. Basket dimensions [mm x mm x mm]:

280 x 300 x 120

30. Adjustable feet:

Yes

35. Basin material:

AISI 304 - High quality stainless steel

31. Heating element material:

AISI 304

36. Ratio power/volume [kW/l]:

0.80

32. Number of baskets:

1

37. Drain type:

Trough the cabinet

33. Number of basins:

1

38. Heating location:

Inside the tank