

# Technical data sheet

## Product features



### Cooking range electric with static electric oven GN 2/1 - 4x plate 400 V

<b>Model</b>	<b>SAP Code</b>	00000334
--------------	-----------------	----------



- Device type: Electric unit
- Power consumption of the zone 1 [kW]: 4
- Power consumption of the zone 2 [kW]: 4
- Power consumption of the zone 3 [kW]: 4
- Power consumption of the zone 4 [kW]: 4
- Type of internal part of the appliance 1 (eg oven): Electric
- Type of internal part of the appliance 2 (eg oven): Static
- Protection of controls: IPX5
- Material: AISI 304

<b>SAP Code</b>	00000334	<b>Power consumption of the zone 2 [kW]</b>	4
<b>Net Width [mm]</b>	800	<b>Power consumption of the zone 3 [kW]</b>	4
<b>Net Depth [mm]</b>	900	<b>Power consumption of the zone 4 [kW]</b>	4
<b>Net Height [mm]</b>	900	<b>Type of internal part of the appliance 1 (eg oven)</b>	Electric
<b>Net Weight [kg]</b>	134.00	<b>Type of internal part of the appliance 2 (eg oven)</b>	Static
<b>Power electric [kW]</b>	22.700	<b>Width of internal part [mm]</b>	680
<b>Loading</b>	400 V / 3N - 50 Hz	<b>Depth of internal part [mm]</b>	730
<b>Number of zones</b>	4	<b>Height of internal part [mm]</b>	340
<b>Power consumption of the zone 1 [kW]</b>	4		

# Technical data sheet

Technical drawing

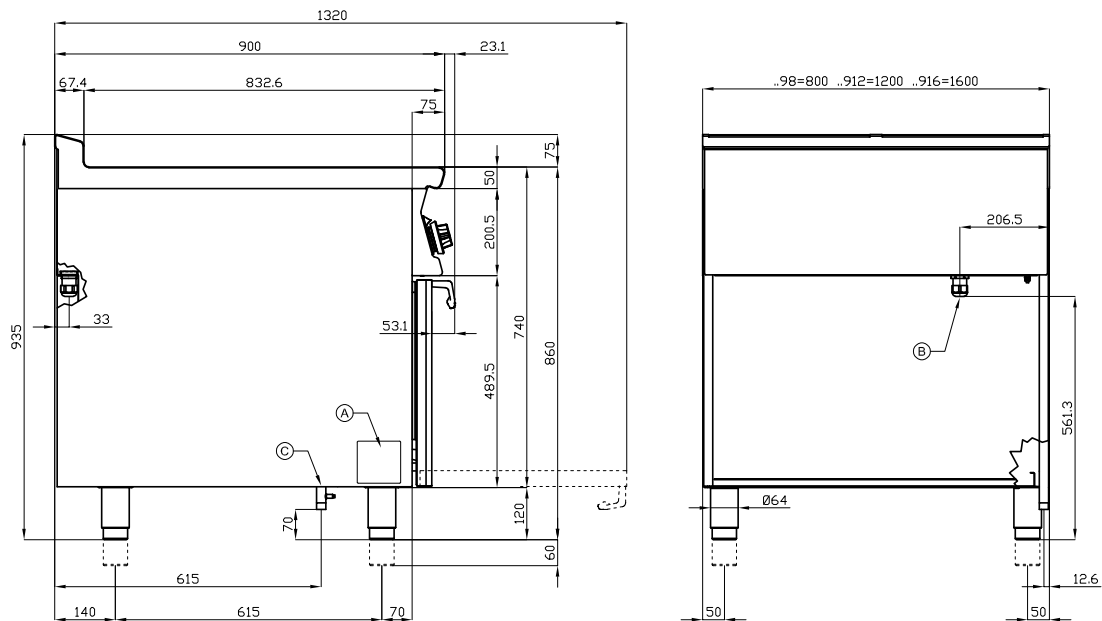


Cooking range electric with static electric oven GN 2/1 - 4x plate 400 V

Model

SAP Code

00000334



A	Data plate		B	Electrical connection	
---	------------	--	---	-----------------------	--

# Technical data sheet

## Product benefits



### Cooking range electric with static electric oven GN 2/1 - 4x plate 400 V

Model

SAP Code

00000334

1

#### Internal thermostatic plate protection

longer service life of the plates

- no overheating of the plates and no cracking

2

#### Degree of protection of the control elements IPX5

maintenance-free system

resistance to splash water

long life

- savings on service interventions
- easy cleaning and maintenance of equipment

3

#### All-stainless design

the material does not cut

wear resistance of the material

long life

- savings on service interventions
- easy cleaning and maintenance of equipment

4

#### Hygienic moldings of the top plate

absence of sharp corners and edges (potential places where dirt could stick)

smooth transitions

- easy quick cleaning

5

#### Large oven with four rack positions with static cooking

static baking

high capacity and variability

all-stainless design

- suitable for yeast dishes and desserts
- long service life
- easy to clean

# Technical data sheet

Technical parameters



## Cooking range electric with static electric oven GN 2/1 - 4x plate 400 V

**Model**

**SAP Code**

00000334

**1. SAP Code:**

00000334

**2. Net Width [mm]:**

800

**3. Net Depth [mm]:**

900

**4. Net Height [mm]:**

900

**5. Net Weight [kg]:**

134.00

**6. Gross Width [mm]:**

830

**7. Gross depth [mm]:**

970

**8. Gross Height [mm]:**

1110

**9. Gross Weight [kg]:**

150.00

**10. Device type:**

Electric unit

**11. Construction type of device:**

With substructure

**12. Power electric [kW]:**

22.700

**13. Loading:**

400 V / 3N - 50 Hz

**14. Protection of controls:**

IPX5

**15. Device color:**

Stainless steel

**16. Material:**

AISI 304

**17. Worktop type:**

Molded - comfortable cleaning maintenance

**18. Worktop material:**

AISI 304

**19. Worktop Thickness [mm]:**

2.00

**20. Device heating type:**

Static baking

**21. Number of zones:**

4

**22. Power consumption of the zone 1 [kW]:**

4

**23. Power consumption of the zone 2 [kW]:**

4

**24. Power consumption of the zone 3 [kW]:**

4

**25. Power consumption of the zone 4 [kW]:**

4

**26. Maximum device temperature [°C]:**

300

**27. Minimum device temperature [°C]:**

50

**28. Number of power control stages:**

6

# Technical data sheet

Technical parameters



## Cooking range electric with static electric oven GN 2/1 - 4x plate 400 V

**Model**

**SAP Code**

00000334

**29. Service accessibility:**

From the front by removing the front panel and waste fluid containers

**30. Safety thermostat:**

Yes

**31. Safety thermostat up to x ° C:**

360

**32. Adjustable feet:**

Yes

**33. Number of burners/hot plates:**

4

**34. Type of electric cooking zones:**

Squared

**35. Oven Type:**

electrical static

**36. Oven size:**

GN 2/1

**37. Oven material:**

Stainless steel

**38. Type of internal part of the appliance 1 (eg oven):**

Electric

**39. Type of internal part of the appliance 2 (eg oven):**

Static

**40. Width of internal part [mm]:**

680

**41. Depth of internal part [mm]:**

730

**42. Height of internal part [mm]:**

340

**43. Gasket:**

Yes

**44. Maximum temperature of the inner chamber [°C]:**

300

**45. Minimum temperature of the inner chamber [°C]:**

50

**46. Number of internal parts:**

4