

Technical data sheet

Product features



Fry-top griddle plate 36x68 gas chromed smooth on open cabinet

Model	SAP Code	00001030
--------------	-----------------	----------



- Top type: Smooth
- Griddle dimensions [mm x mm]: 360 x 680
- Griddle thickness [mm]: 15.00
- Worktop material: Super chrom
- Container for liquid fat: Yes
- Maximum device temperature [°C]: 300
- Removable rim: Yes
- Ignition: Piezo+večný plamen

SAP Code	00001030	Power gas [kW]	9.000
Net Width [mm]	400	Type of gas	Natural gas, propane butane
Net Depth [mm]	900	Griddle dimensions [mm x mm]	360 x 680
Net Height [mm]	900	Top type	Smooth
Net Weight [kg]	69.00	Worktop type	Molded - comfortable cleaning maintenance

Technical data sheet

Technical drawing

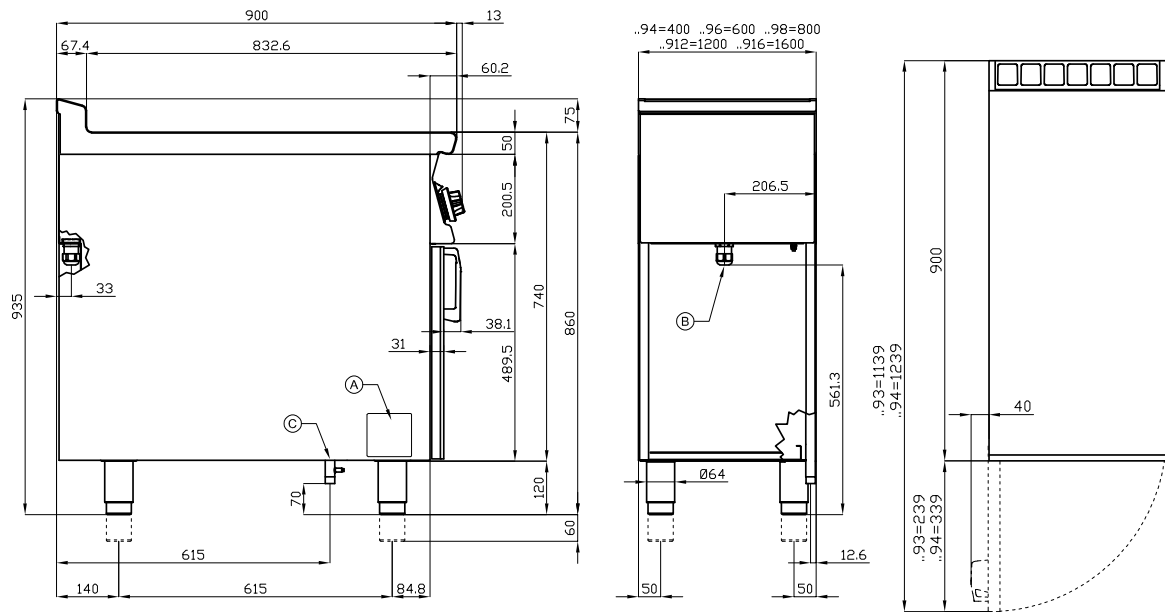


Fry-top griddle plate 36x68 gas chromed smooth on open cabinet

Model

SAP Code

00001030



A	Data plate		C	Gas connection	ISO 7-1 1/2" M
---	------------	--	---	----------------	----------------

Technical data sheet

Product benefits



Fry-top griddle plate 36x68 gas chromed smooth on open cabinet

Model

SAP Code

00001030

1

Safety element – thermocouple

safe service for staff
there is no unnecessary gas leakage
long life

- savings on service interventions
- easier and faster operation

2

All-stainless design

long life
resistance of AISI 304 stainless steel material
the material does not cut

- savings on service interventions
- easy cleaning and maintenance of equipment

3

Degree of protection of the control elements IPX5

maintenance-free system
resistance to splash water
long life

- savings on service interventions
- easy cleaning and maintenance of equipment

4

Outlet for waste liquids

ensures that oil drips into the socket

- easy maintenance
- easy cleaning

5

High detachable hem

better hygienic conditions
preventing grease from splashing onto
ancillary equipment

- easy maintenance
- easy cleaning

6

Smooth steel plate

good heat transfer and the surface does not get scratched
enables preparation on smooth or grooved plates

- time-saving for food preparation
- no reheating and long cooking times

7

Outlet for waste liquids

ensures that oil drips into the socket

- easy maintenance
- easy cleaning

8

Surface treatment “Superchrom”

a thicker layer of protective chrome applied with
new technology

- the top is more scratch resistant
- more convenient and faster handling of food
on the plate
- the possibility of preparing more delicate
types of food
- the plate does not get dirty, does not swell

Technical data sheet

Technical parameters



Fry-top griddle plate 36x68 gas chromed smooth on open cabinet

Model	SAP Code
	00001030

1. SAP Code:

00001030

2. Net Width [mm]:

400

3. Net Depth [mm]:

900

4. Net Height [mm]:

900

5. Net Weight [kg]:

69.00

6. Gross Width [mm]:

430

7. Gross depth [mm]:

970

8. Gross Height [mm]:

1110

9. Gross Weight [kg]:

81.00

10. Device type:

Gas unit

11. Construction type of device:

Stationary

12. Power gas [kW]:

9.000

13. Ignition:

Piezo+večný plamen

14. Type of gas:

Natural gas, propane butane

15. Protection of controls:

IPX5

16. Device color:

Stainless steel

17. Material:

AISI 304

18. Indicators:

operation and warm-up

19. Worktop type:

Molded - comfortable cleaning maintenance

20. Worktop material:

Super chrom

21. Maximum device temperature [°C]:

300

22. Minimum device temperature [°C]:

50

23. Safety thermostat:

Yes

24. Adjustable feet:

Yes

25. Griddle dimensions [mm x mm]:

360 x 680

26. Griddle thickness [mm]:

15.00

27. Container for liquid fat:

Yes

28. Removable device container:

Yes

Technical data sheet

Technical parameters



Fry-top griddle plate 36x68 gas chromed smooth on open cabinet

Model	SAP Code	00001030
--------------	-----------------	----------

29. Removable rim:

Yes

31. Top type:

Smooth

30. Uniform heating:

Yes