

Technical data sheet

Product features



Bain marie trolley electric GN 3-1/1 heated cupboard controllers on shorter side

Model	SAP Code	00008659
--------------	-----------------	----------



- Drain: Yes
- Material: AISI 304 top plate, AISI 430 cladding
- Protection of controls: IPX4
- Maximum device temperature [°C]: 90

SAP Code	00008659	Power electric [kW]	3.600
Net Width [mm]	598	Loading	230 V / 1N - 50 Hz
Net Depth [mm]	1254	Number of GN / EN	3
Net Height [mm]	905	GN / EN size in device	GN 1/1
Net Weight [kg]	103.00	GN device depth	200

Technical data sheet

Technical drawing

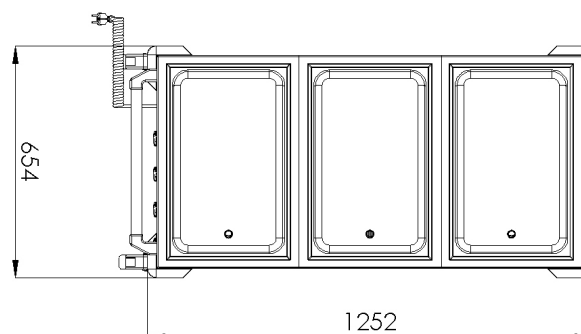
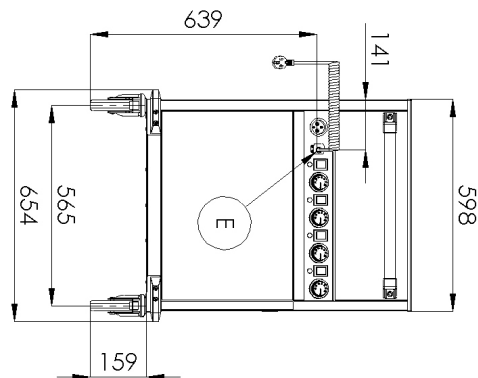
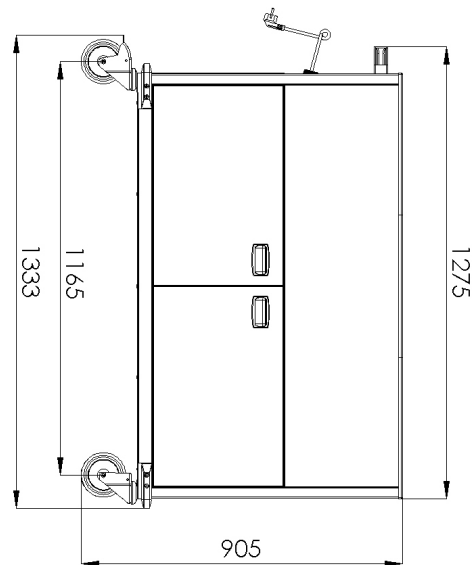


Bain marie trolley electric GN 3-1/1 heated cupboard controllers on shorter side

Model

SAP Code

00008659



Technical data sheet

Product benefits



Bain marie trolley electric GN 3-1/1 heated cupboard controllers on shorter side

Model	SAP Code	00008659
--------------	-----------------	----------

1

Deep-draft bathtubs

basins without sharp transitions, edges and corners

- easy maintenance
- perfect sanitation

2

Controlling each bath separately

variability of use

- possibility to keep different foods at different temperatures

3

All-stainless steel construction

harmless to health for contact with food
robustness

- perfect sanitation
- long service life

4

Heated substructure

possibility to store and heat plates

- space saving
- no need for an extra rack

5

Drain valve under the bathtub

safer placement of the drain valve

- valve positioning prevents unintentional contact and possible scalding

6

Handrail

handle made of robust stainless steel tube
possibility of placement on the shorter or longer side

- easy handling of the dispensing tub

7

Braked wheels

easier handling

- more comfort for the operator
- safety
- stability

Technical data sheet

Technical parameters



Bain marie trolley electric GN 3-1/1 heated cupboard controllers on shorter side

Model

SAP Code

00008659

1. SAP Code:

00008659

2. Article group:

Bain Maries

3. Net Width [mm]:

598

4. Net Depth [mm]:

1254

5. Net Height [mm]:

905

6. Net Weight [kg]:

103.00

7. Gross Width [mm]:

755

8. Gross depth [mm]:

1310

9. Gross Height [mm]:

1010

10. Gross Weight [kg]:

112.00

11. Device type:

Electric unit

12. Construction type of device:

On wheels

13. Power electric [kW]:

3.600

14. Loading:

230 V / 1N - 50 Hz

15. Protection of controls:

IPX4

16. Device color:

Stainless steel

17. Material:

AISI 304 top plate, AISI 430 cladding

18. Maximum device temperature [°C]:

90

19. Minimum device temperature [°C]:

30

20. Adjustable feet:

No

21. Drain:

Yes

22. Number of GN / EN:

3

23. GN / EN size in device:

GN 1/1

24. GN device depth:

200