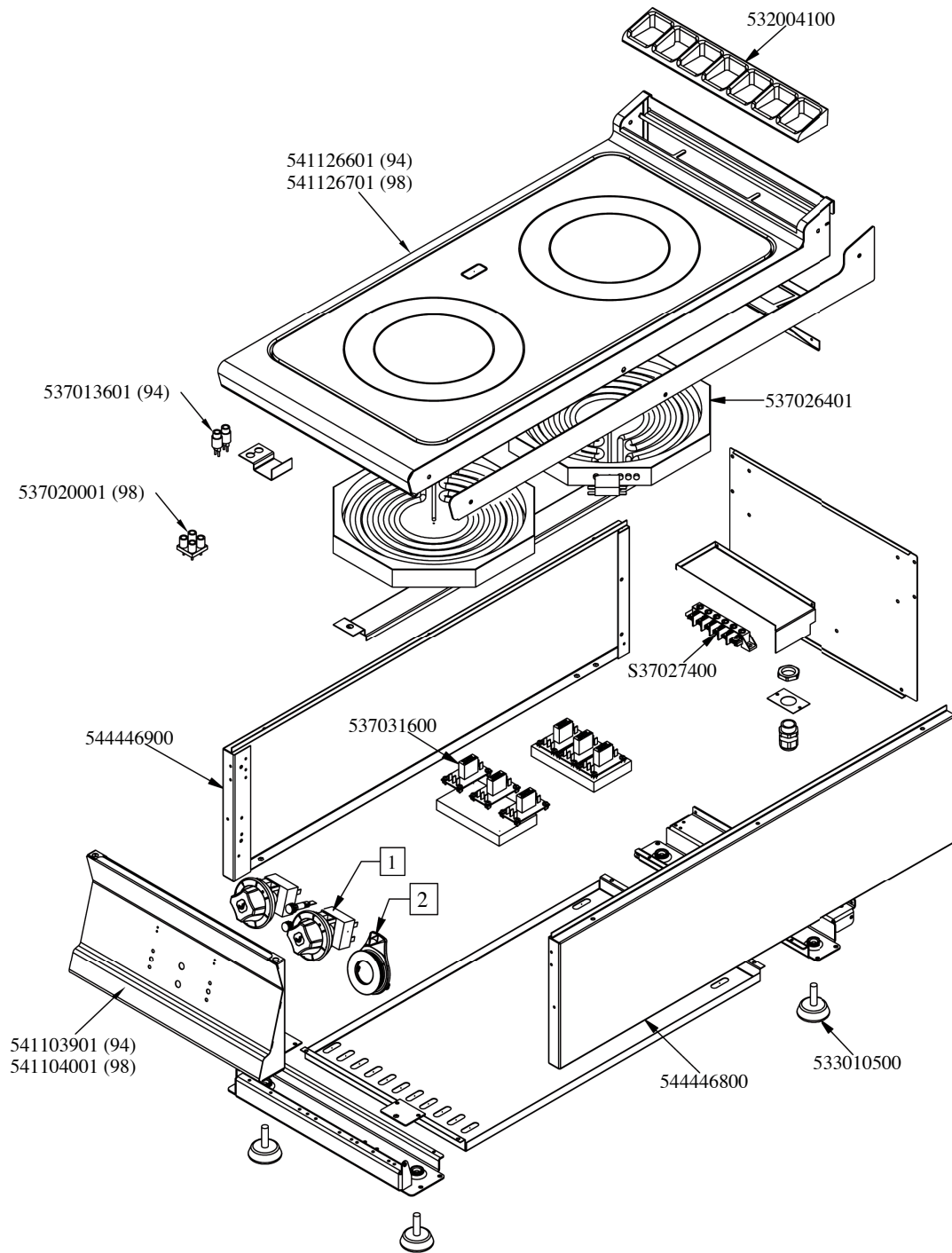


PCCT-98ET

2021_11

1





PCCT-98ET

2021_11

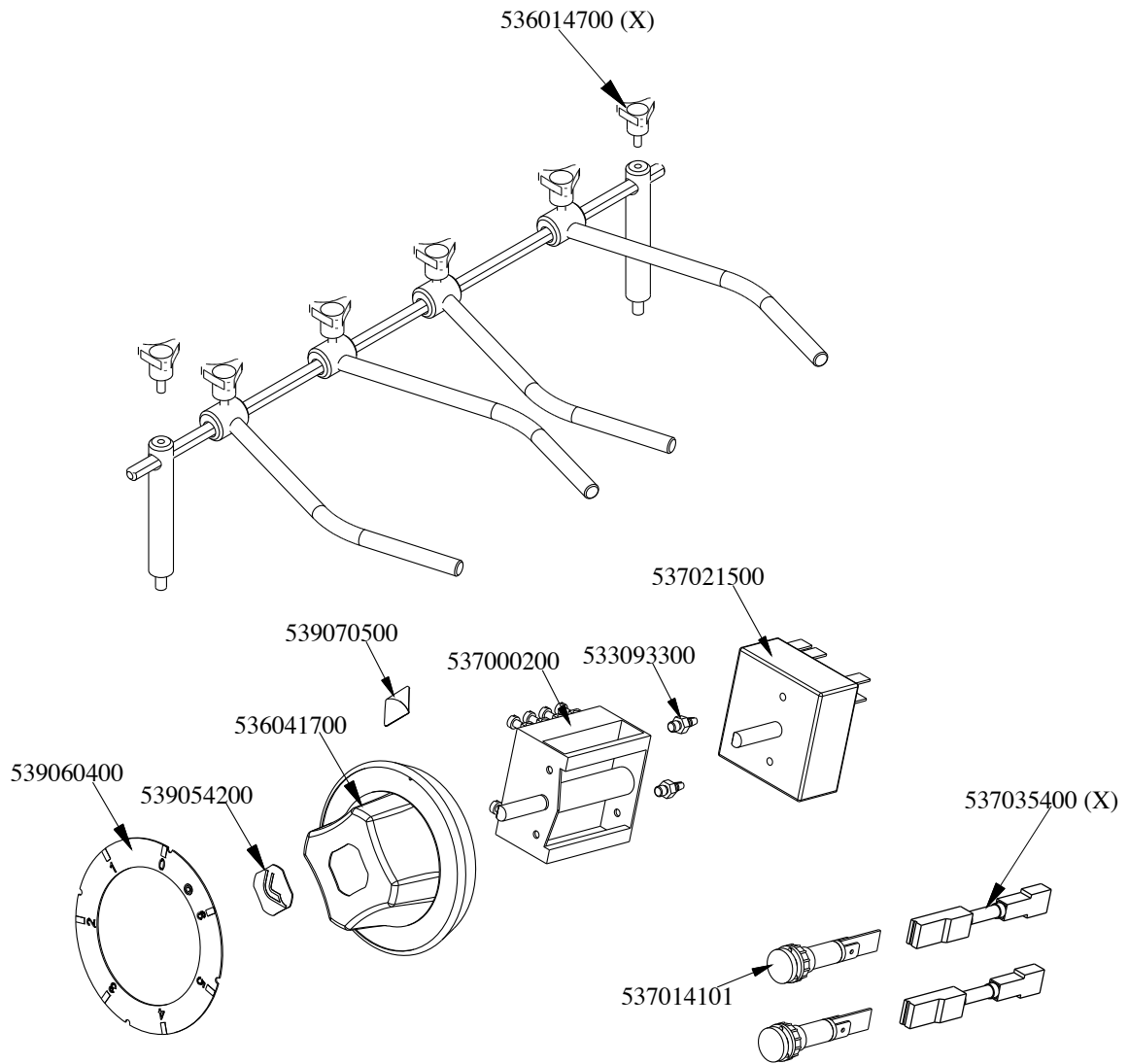
1

Kod	Nazev
541104001	FRONTAL PANEL * S607090 PC-9 8E
541126701	ASS.PIANO S90 PCC-98E VC
537020001	REMAINING HEAT 4 PILOT LIGHTS UNIT
532004100	FLUE GRID L=370 90LINE (RAF)
537026401	RADIATION HEATER Ø300 230V
S37027400	PROCESSING CODE
533010500	LEG M10*25 D.40
544446800	FIANCO APP.S90T DX
544446900	LHD SIDE FOR 90T APPLIANCES
537031600	ELECTRO BOARD 1 RELAI

PCCT-98ET

2021_11

2





PCCT-98ET

2021_11

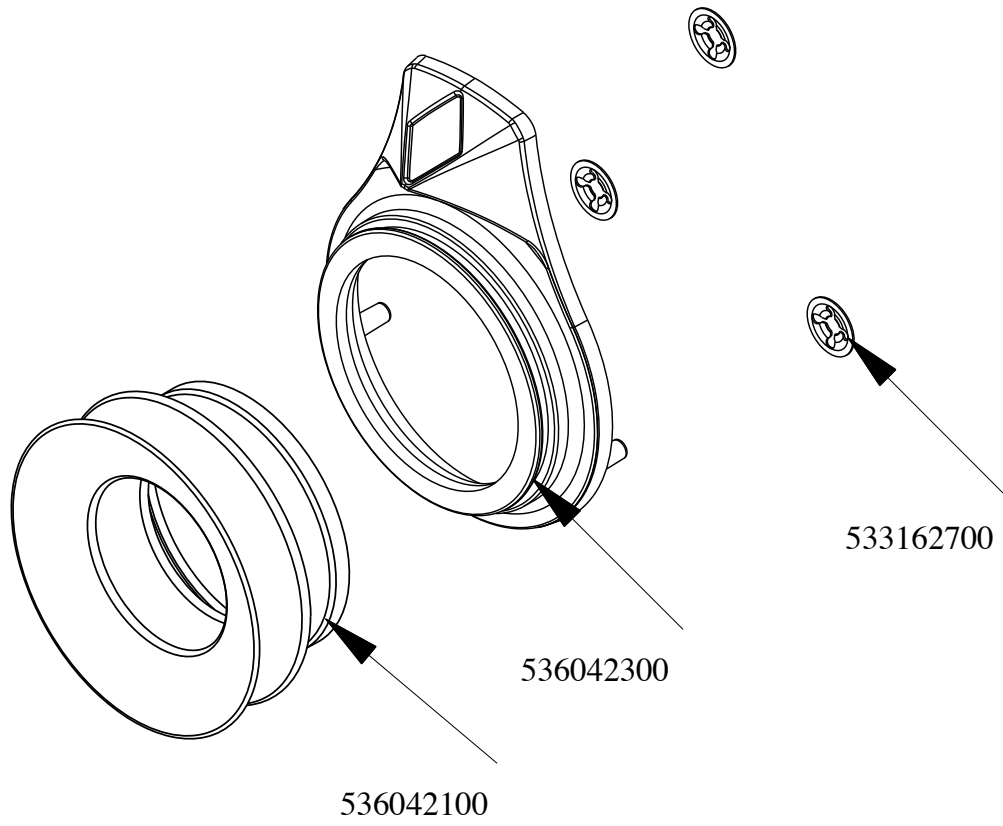
2

Kod	Nazev
537014101	WHITE WARNING LIGHT 250V
539054200	STAMP Ø20,5 CR."L" LOTUS R.
536041700	SILVER CHROM. KNOB Ø77 4P.G.Ø06X4,6
539060400	RED ADESIVE DISK FOR PCC-E
537021500	REGULATOR FOR EL.PLATE 2CIRC.230V
539070500	ADHES.LABEL FOR RING RED SIGN.
537000200	COMMUTATOR 1 POS. 3PHASE S.49 16A
533093300	LOCKING PIN SWITCH S.43 THERMOST
537035400	HEATING ELEMENT 00003W 330KOHM W/F
536014700	3 DRILL WHEELS

PCCT-98ET

2021_11

3





PCCT-98ET

2021_11

3

Kod	Nazev
536042300	SILVER CHROM. RING FOR KNOB Ø77 4 P
536042100	SEAL CASING FOR KNOB Ø77 4 P
533162700	PROCESSING CODE