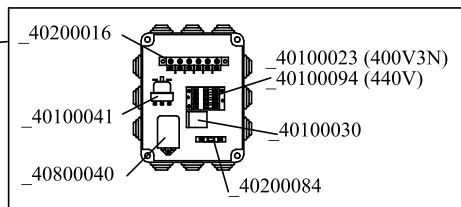
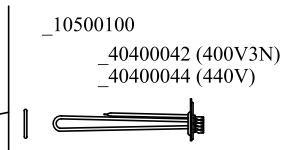
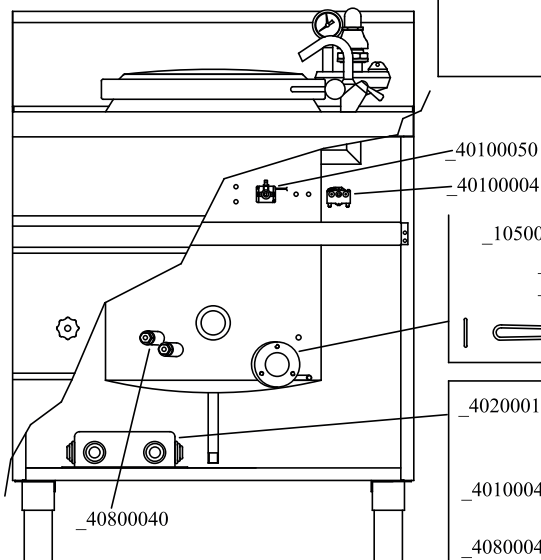
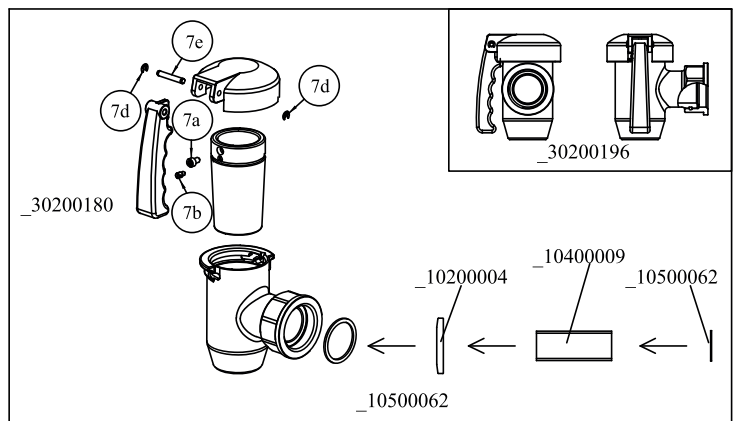
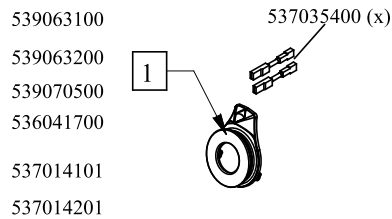
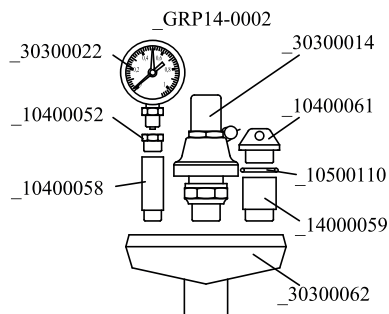
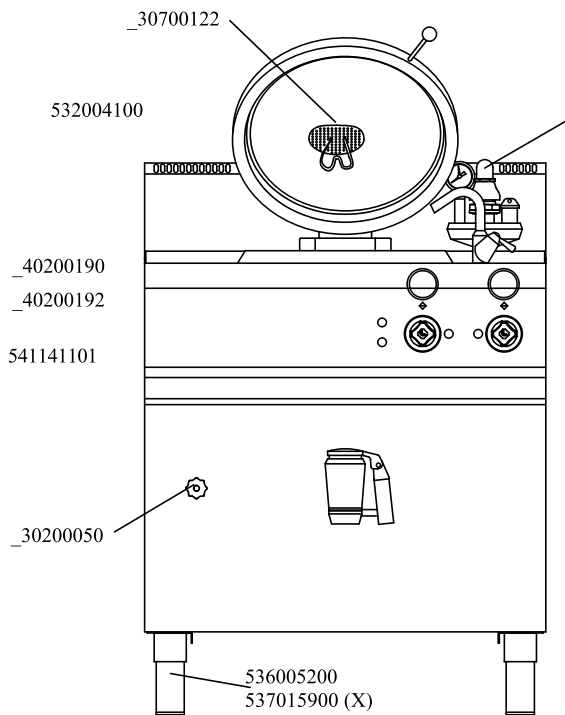
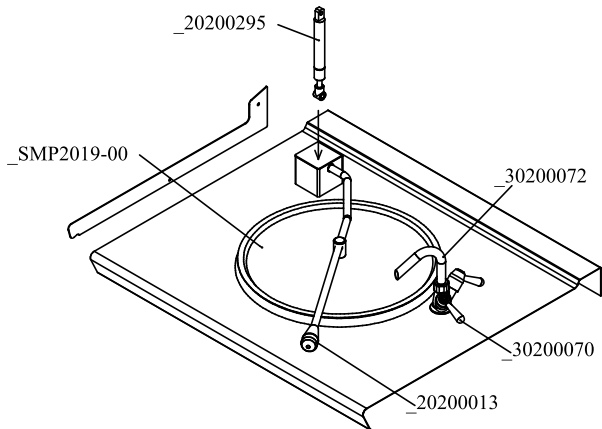


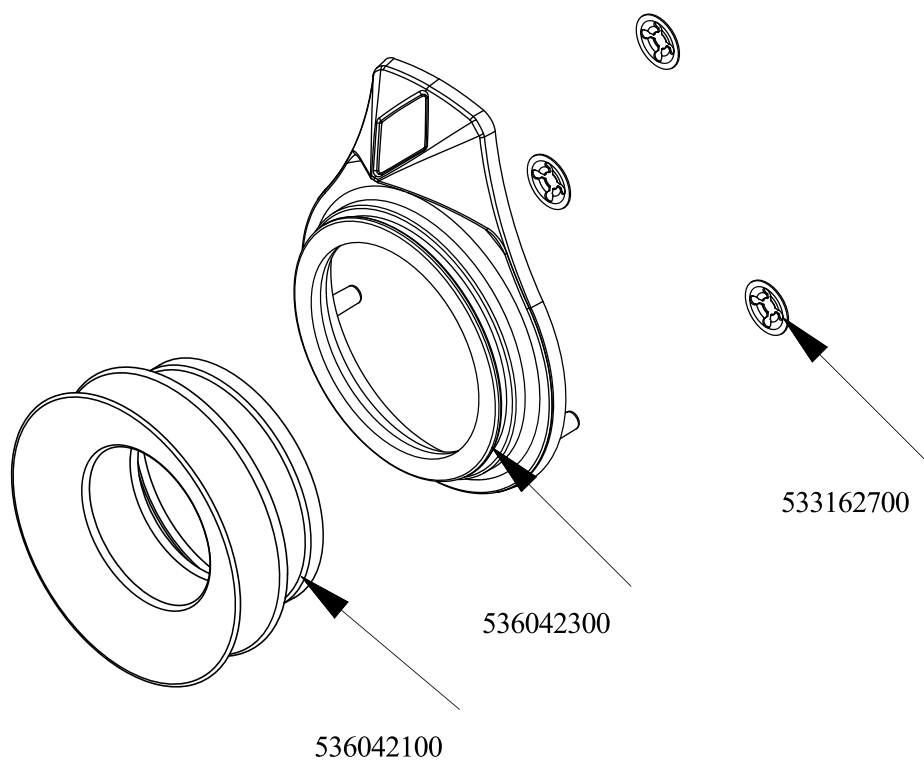


RM 700  
 Platný od 1.5. 2019  
 PI50-78ET





Objednací kód	Popis v ENG
536005200	INOX LEG 2" 120-180 M10
_40800040	
_SMP2019-00	PROCESSING CODE
_20200013	GRIP
_20200295	PROCESSING CODE
_30200070	TAP FOR 90LINE
_30200072	JOINTED TUBE DIAM.18 L=110MM
_30700122	TANK FILTER FOR BOILING PAN 100/150
_GRP14-0002	SAFETY VALVE COMPLET GROUP OF PAN
_30300062	VALVE GR.SIC.VERT. 3/4"
_14000059	PROCESSING CODE
_10500110	OR DI.28,17X3,53 RIF. 4112 NBR
_10400061	CAP FOR VALVE 3/4"
_30300014	SAFETY VALVE 0.50 BAR 3/4"
_30300022	MANOMETER
_10400052	REDUCTION OTT. CROM. 3/8"M-1/4"F
_10400058	EXTENSION 3/8" CHROM.L=50MM
537014101	WHITE WARNING LIGHT 250V
537014201	GREEN WARNING LIGHT 250V
536041700	SILVER CHROM. KNOB Ø77 4P.G.Ø06X4,6
539070500	ADHES.LABEL FOR RING RED SIGN.
539063200	ADESIVE DISK FOR SWITCH OVEN P-E
539063100	RED STICKING DISK 72 (040,100°)
_30200050	LEVEL TAP
_30200180	PROCESSING CODE
_10500062	GREEN GASKET 1"1/2
_10400009	PROCESSING CODE
_10200004	1/2" DRAIN COCK STUD
_30200196	TAP FOR WATER OUTLET * PI50
_40200190	PROCESSING CODE
_40200192	PROCESSING CODE
_40100004	COMMUTATOR
_40100050	THERMOSTAT 30/100°C SINGLEPHASE
_40400042	HEATING ELEMENT 3PH.9KW 230V A=420
_10500100	O-RING D.47X5,34 RIF.6187 NBR
_40200016	TERMINAL BOX
_40100041	SAFETY THERMOSTAT 180°C THREEPHASE
_40100023	REMOTE CONTROL SWITCH 4P A9/25A
_40100030	RALAY 3P
_40200084	DELAYED ACTION FUSE 5X20 3,15A
541141101	
532004100	FLUE GRID L=370 90LINE (RAF)



560125700M00P00



Objednací kód	Popis v ENG
536042300	SILVER CHROM. RING FOR KNOB Ø77 4 P
536042100	SEAL CASING FOR KNOB Ø77 4 P
533162700	PROCESSING CODE