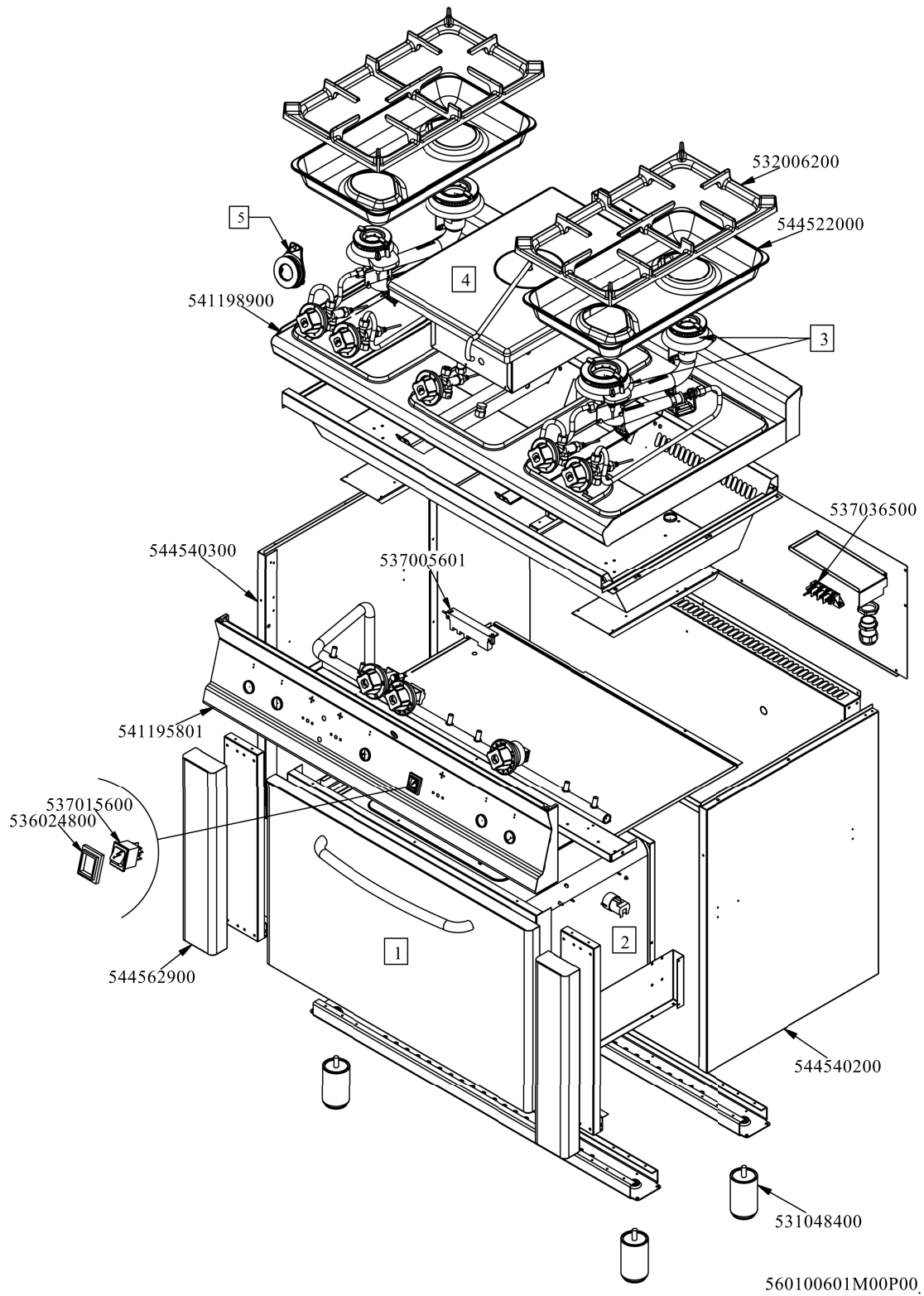
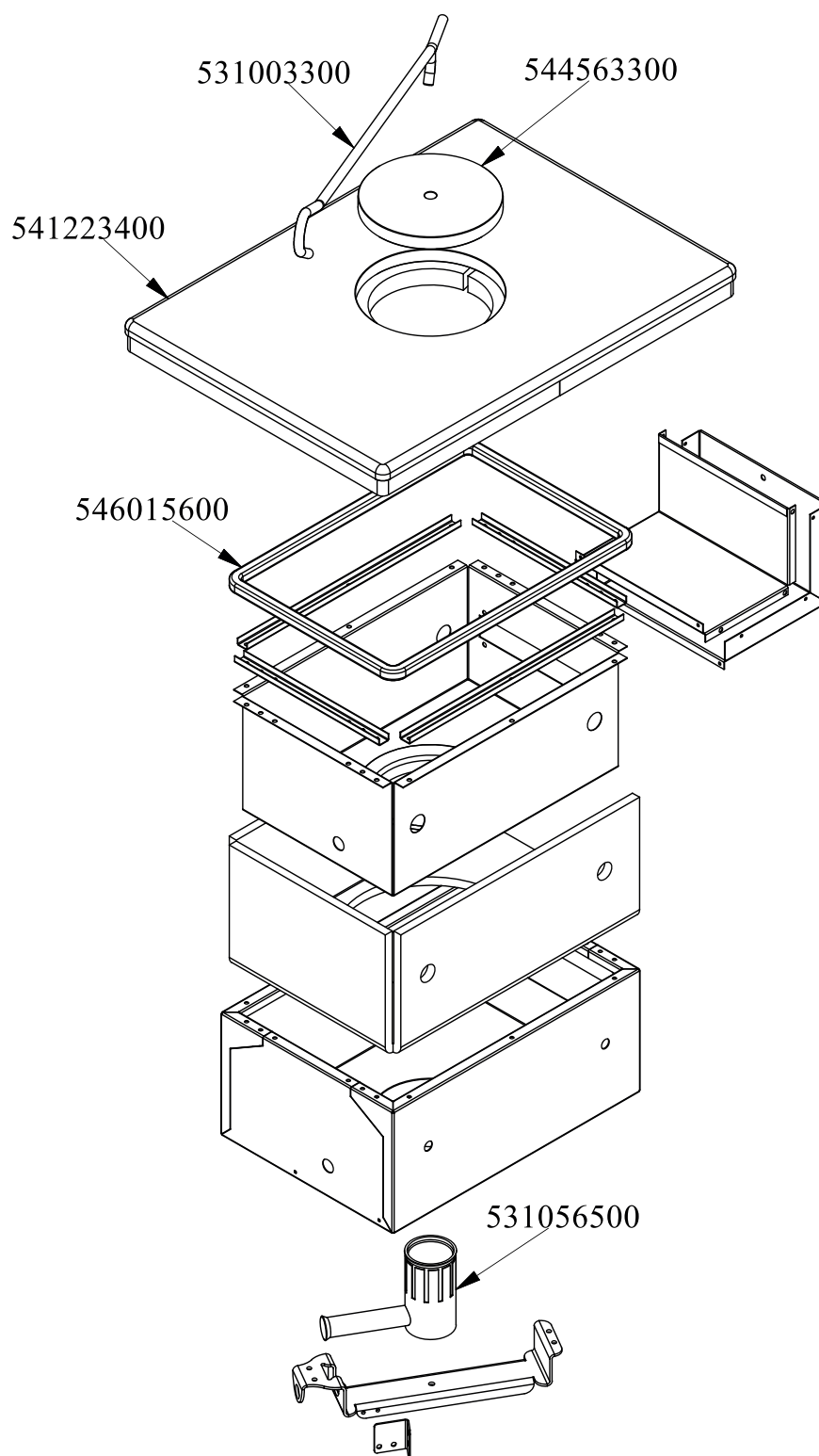


RM 600
 Platný od 1.5. 2019
 TPF4-610G





| Objednací kód | Popis v ENG |
|---------------|-------------------------------------|
| 537005601 | 6 FLAME IGNITION CONTROL BOX V230 |
| 544540200 | |
| 544562900 | SIDE PANEL OF OVEN DOOR CF 610 |
| 541195801 | |
| 544540300 | |
| 532006200 | 2 BURNERS GRID 289X504 60T RAF |
| 544522000 | BURNER DRIP PAN OF PCT-60 |
| 537036500 | TERMINAL BLOCK 4POLES 40A SCREW-SCR |
| 541198900 | UPPER PLATE CF 6-610G |
| 536024800 | HOOD WITH SWITCH FRAME |
| 537015600 | BIPOLAR SWITCH |
| 531048400 | INOX LEG Ø1"3/4 100-165 M10 |
| - | - |
| - | - |
| - | - |
| - | - |
| - | - |



560078401M00P00



| Objednací kód | Popis v ENG |
|---------------|-------------------------------|
| 531056500 | CIRCULAR BURNER TPT-64G 5,8KW |
| 546015600 | |
| 541223400 | PLATE OF TPT-64G |
| 531003300 | TP-PLATE LIFTING HOOK |
| 544563300 | PLATE RING FOR TPT-64G |



531059201<15071191
531059202>15071192

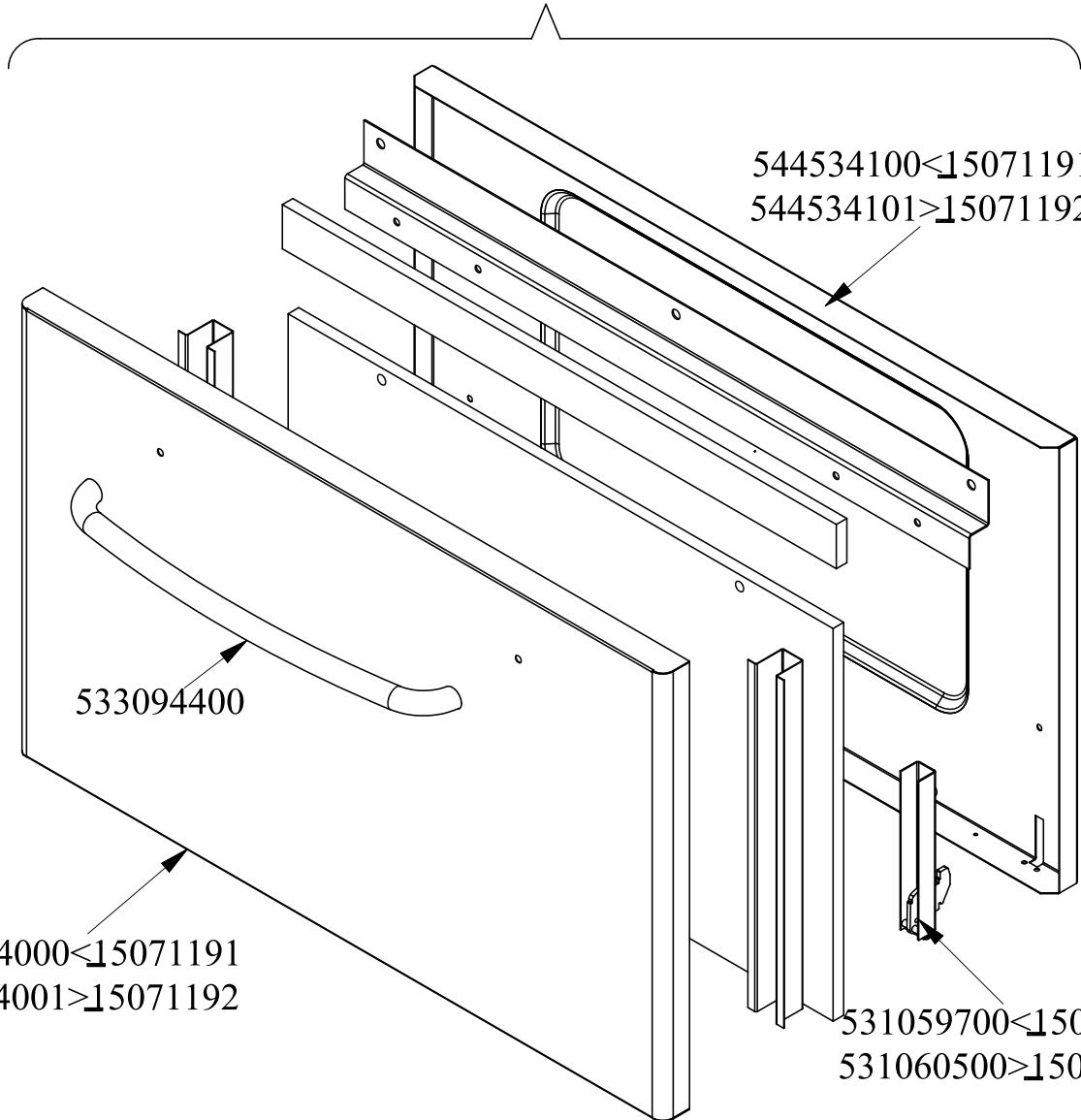
544534100<15071191
544534101>15071192

533094400

544534000<15071191
544534001>15071192

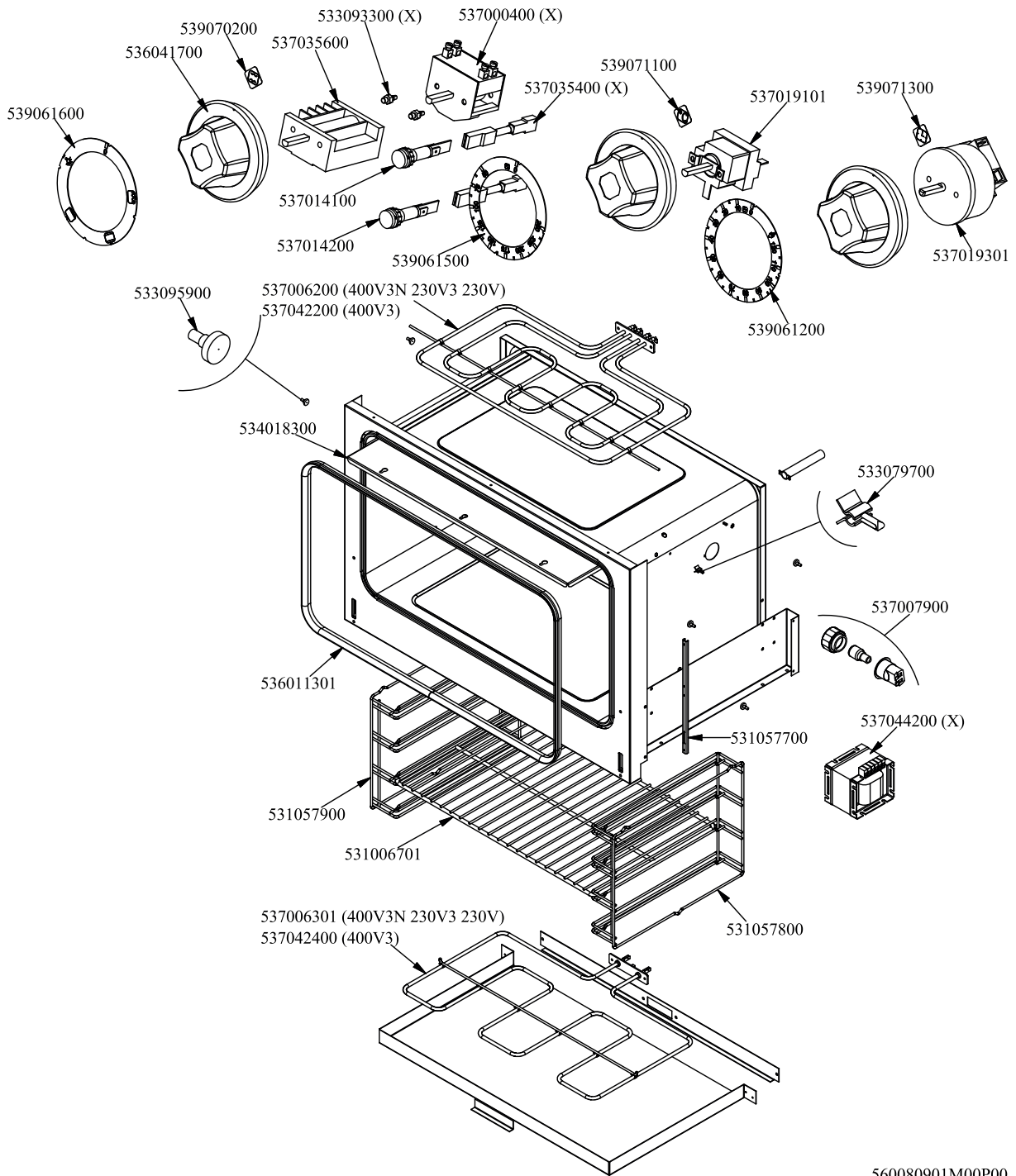
531059700<15071191
531060500>15071192

560081101M01P00



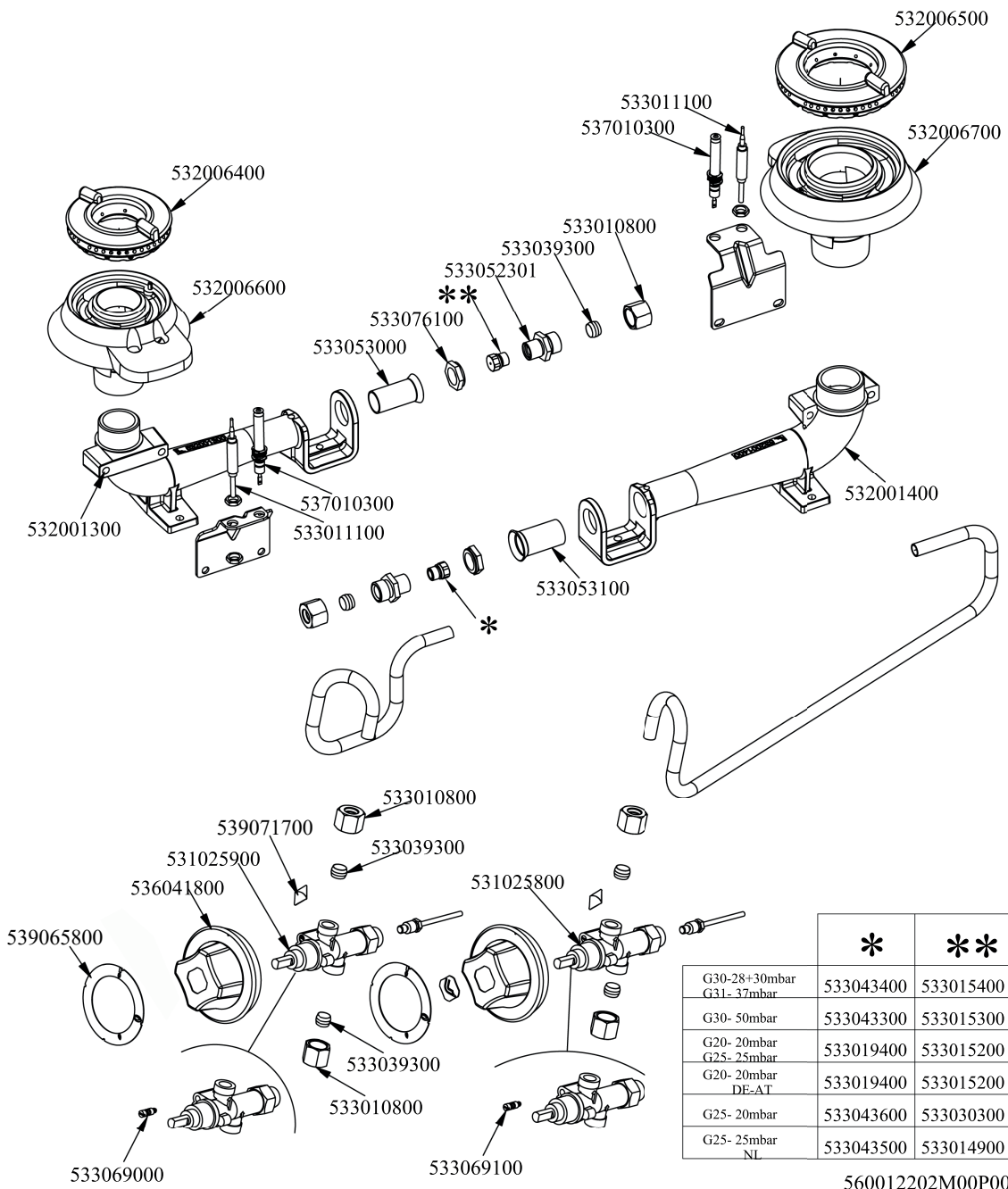


| Objednací kód | Popis v ENG |
|---------------|-------------------------------------|
| 533094400 | S/S OVEN DOOR HANDLE FOR 60T-LINE |
| 531059201 | COMPLETE S/S DOOR FOR MAXI 600 OVEN |
| 531059202 | COMPLETE S/S DOOR FOR MAXI 600 OVEN |
| 544534100 | INNER DOOR OF MAXI OVEN OF 60T-LINE |
| 544534101 | |
| 544534000 | S/S DOOR FOR MAXI OVEN OF 60T LINE |
| 544534001 | |
| 531059700 | DOOR HINGE FOR MAXI OVEN 60.LINE |
| 531060500 | DOOR HINGE FOR OVEN 60.LINE |





| Objednací kód | Popis v ENG |
|---------------|-------------------------------------|
| 539070200 | |
| 537035600 | OVEN COMMUTATOR * EL. 60+65LINES |
| 537014100 | WHITE WARNING LIGHT 250V |
| 537014200 | GREEN WARNING LIGHT 250V |
| 539061500 | ADESIVE DISK OVEN THERMOSTAT S60 |
| 539071100 | |
| 537019101 | THERMOSTAT MONOPHAS.050-320°C F.MF |
| 537019301 | TIMER ELECT.120' 4 T.F. MF |
| 539071300 | |
| 536011301 | GASKET FOR MAXI 60T-OVEN L=1980 |
| 534018300 | KNOB PROTECTION FOR MAXI CF 60T |
| 531057900 | LHD GRIDS HOLDER FOR MAXI-OVEN |
| 531006701 | MAXI OVEN GRID FOR S60/65 |
| 531057700 | DOOR WHEEL HOLDER F.MAXI OVEN 60T |
| 533079700 | LOCK SPRING FOR BULB §3/§4 |
| 533095900 | PIN FOR GRIDSHOLDER SUPPORT CF 60 |
| 531057800 | RHD GRIDS HOLDER FOR MAXI-OVEN |
| 537007900 | OVEN BULB-SOCKET WITH LAMP |
| 539061200 | ADHESIV.DISK FOR TYMER EL. OVEN |
| 536041700 | SILVER CHROM. KNOB Ø77 4P.G.Ø06X4,6 |
| 539061600 | ADESIVE DISK FOR SWITCH OVEN S60 |
| | |
| 537035400 | HEATING ELEMENT 00003W 330KOHM W/F |
| 537044200 | TRANSFORMER 400V/440V-230V 100VA |
| 537006200 | UPPER OVEN HEATING EL.3000W 230V |
| 537042200 | UPPER OVEN HEATING EL.1000+2000W |
| 537006301 | COVERED HEATING ELEMENT MAXI OVEN |
| 537042400 | LOWER OVEN HEATING EL.W1600 440V |
| 533093300 | LOCKING PIN SWITCH S.43 THERMOST |
| 537000400 | COMMUTATOR 1POS.SINGLEPHASE S49 16A |

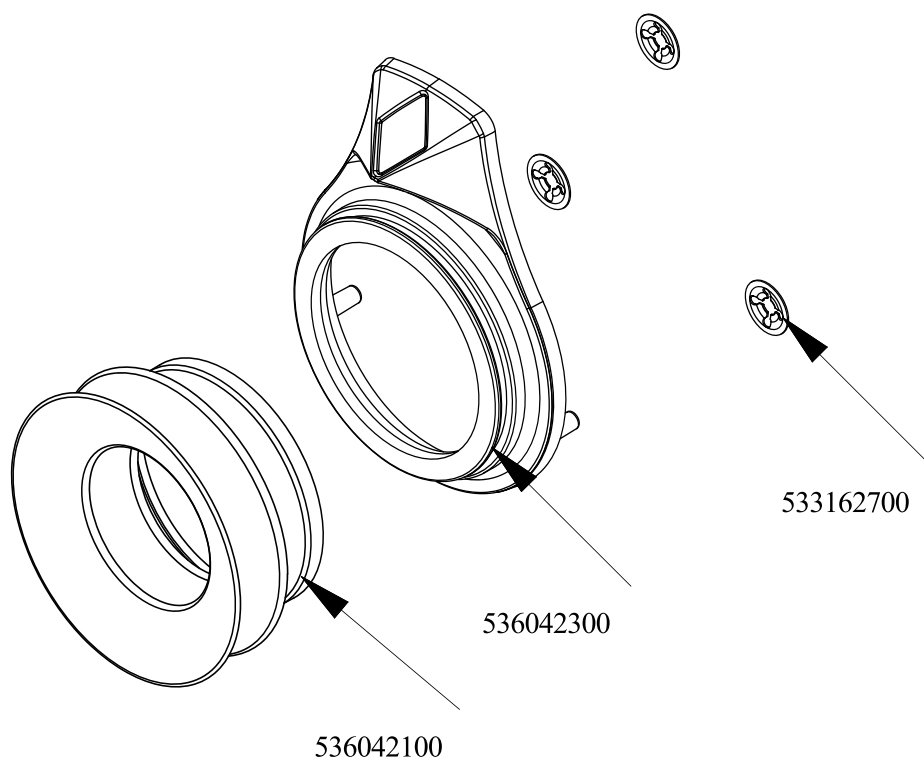


| | * | ** |
|------------------------------|-----------|-----------|
| G30-28+30mbar G31- 37mbar | 533043400 | 533015400 |
| G30- 50mbar | 533043300 | 533015300 |
| G20- 20mbar G25- 25mbar | 533019400 | 533015200 |
| G20- 20mbar DE-AT | 533019400 | 533015200 |
| G25- 20mbar | 533043600 | 533030300 |
| G25- 25mbar NL | 533043500 | 533014900 |

560012202M00P00



| Objednačí kód | Popis v ENG |
|---------------|-------------------------------------|
| 533043400 | NOZZLE §117 CH12*14 G-PC4 UR |
| 533043300 | NOZZLE §103 CH12*14 F-PC4 UR |
| 533019400 | NOZZLE §180 CH12*14 L-FQ5 |
| 533043600 | NOZZLE §200 CH12*14 L-PC4 UR |
| 533043500 | NOZZLE §190 CH12*14 G25 PC4R |
| 533015400 | NOZZLE §93 CH12*14 G-PC4 R |
| 533015300 | NOZZLE §82 CH12*14 F-PC4 R |
| 533015200 | NOZZLE §145 CH12*14 F-FP/CP6 |
| 533030300 | NOZZLE §160 CH12*14 M-FPG |
| 533014900 | NOZZLE §150 CH12*14 F-FQ5 L-FQ6 |
| 532006600 | BURNER BODY 3,5 KW WITH PLUG |
| 532006400 | QUICKBURNER 2 RING Ø082 3 Z |
| 533053000 | AIR ADJUSTMENT BUSHING §18 |
| 533076100 | HEXAGONAL NUT M14X1 H4 + BUSHING |
| 533010800 | TUBE NUT D.10 M16*1,5 |
| 533053100 | AIR ADJUSTMENT BUSHING §20 |
| 532006500 | QUICKBURNER 2 RING Ø102 3 Z |
| 532006700 | BURNER BODY 5,5 KW WITH PLUG |
| 537010300 | IGNITION PLUG WITH SPRING PC65 |
| 533011100 | THERMOCOUPLE 750 M8*1 |
| 532001300 | BURNER VENTURI 3,5 KW |
| 532001400 | BURNER VENTURI 5,5 KW |
| 533052301 | JOINT FOR NOZZLE HOLDER |
| 533039300 | BICONE §10 |
| 531025800 | SAFETY TAP 20S-B PEL20S2160 |
| 531025900 | SAFETY TAP 20S-B PEL20S21070 |
| 539071700 | ADHES.LABEL FOR RING GREEN SIGN. |
| 539065800 | BLACK STICKING DISK 72 |
| 533069100 | BY PASS COCK §60 20S |
| 533069000 | BY PASS COCK §70 20S-21S |
| 536041800 | SILVER CHROM. KNOB Ø77 4P.G.Ø08X6,5 |
| 539054200 | STAMP Ø20,5 CR."L" LOTUS R. |



560125700M00P00



| Objednačí kód | Popis v ENG |
|---------------|-------------------------------------|
| 536042300 | SILVER CHROM. RING FOR KNOB Ø77 4 P |
| 536042100 | SEAL CASING FOR KNOB Ø77 4 P |
| 533162700 | PROCESSING CODE |