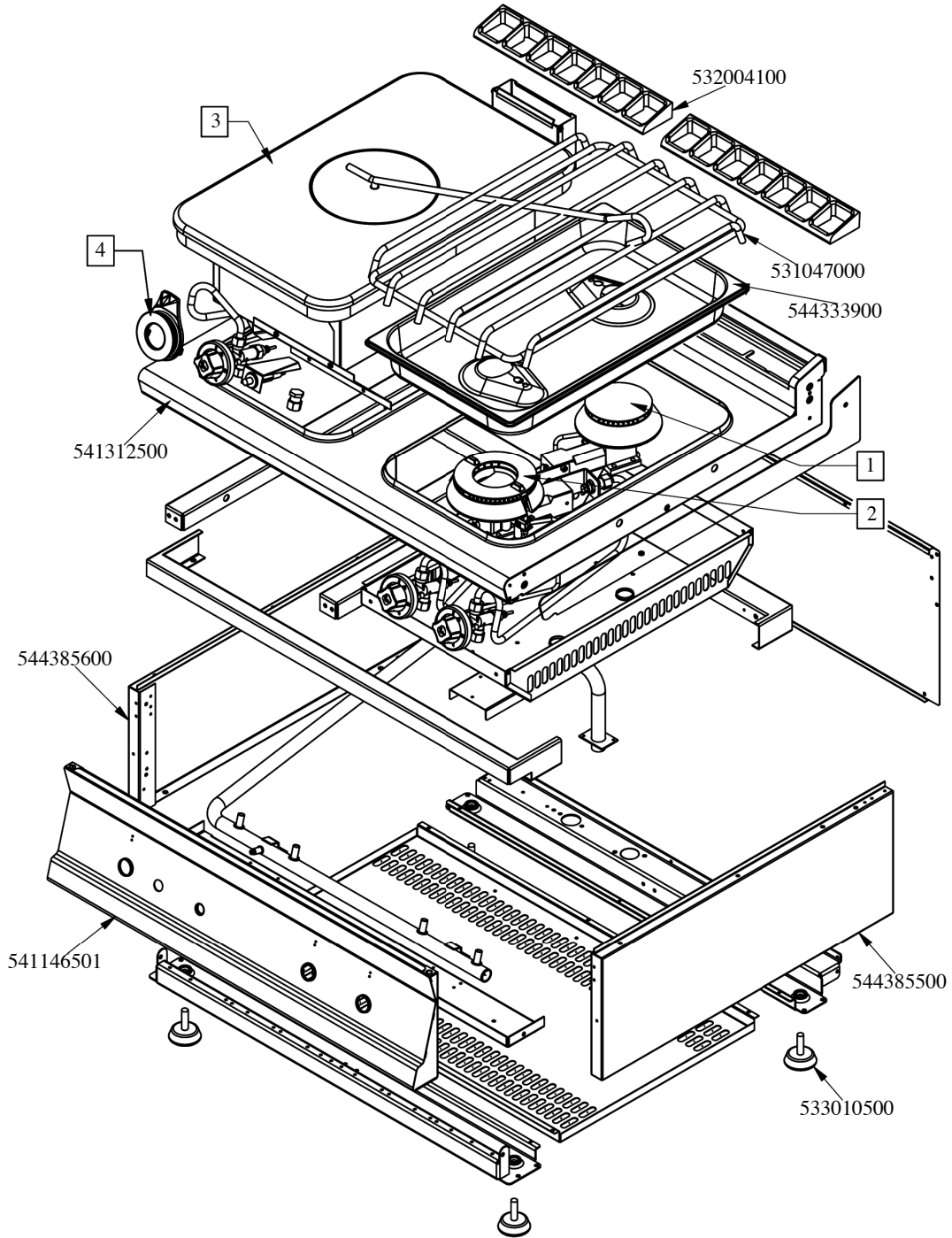


TP2T-78GP

2021_11

1





TP2T-78GP

2021_11

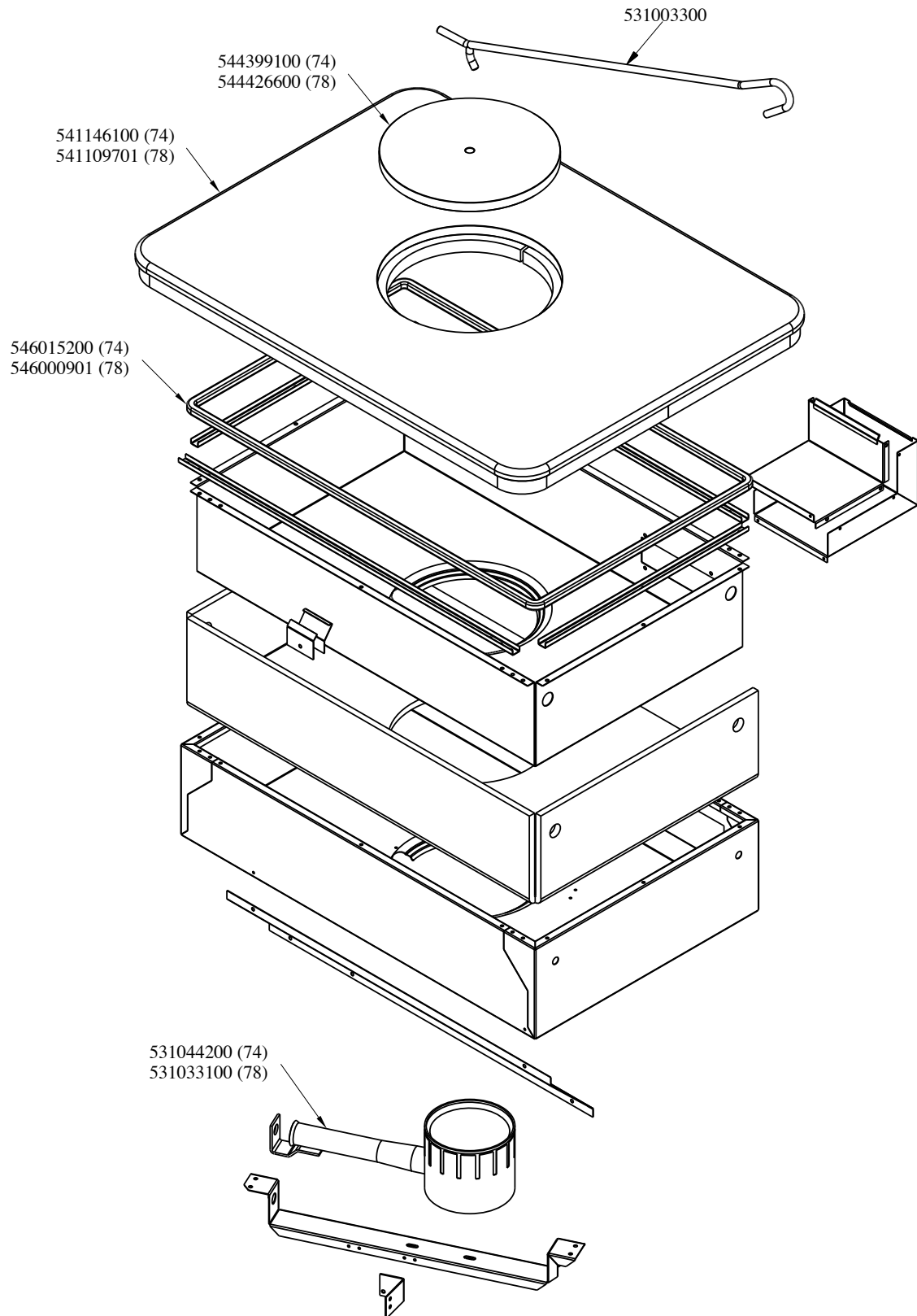
1

Kod	Nazev
544385500	RIGHT SIDE OF 70T LINE
533010500	LEG M10*25 D.40
544385600	LEFT SIDE OF 70T LINE
541146501	ASS.CRUSC.S607090 TP2-9 8G
531047000	2 BURNER GRID FOR PC-700
544333900	BURNER CONTAINER 1/1GN R 304
541312500	ASS.PIANO S70 PC-7 8G
532004100	FLUE GRID L=370 90LINE (RAF)

TP2T-78GP

2021_11

2





TP2T-78GP

2021_11

2

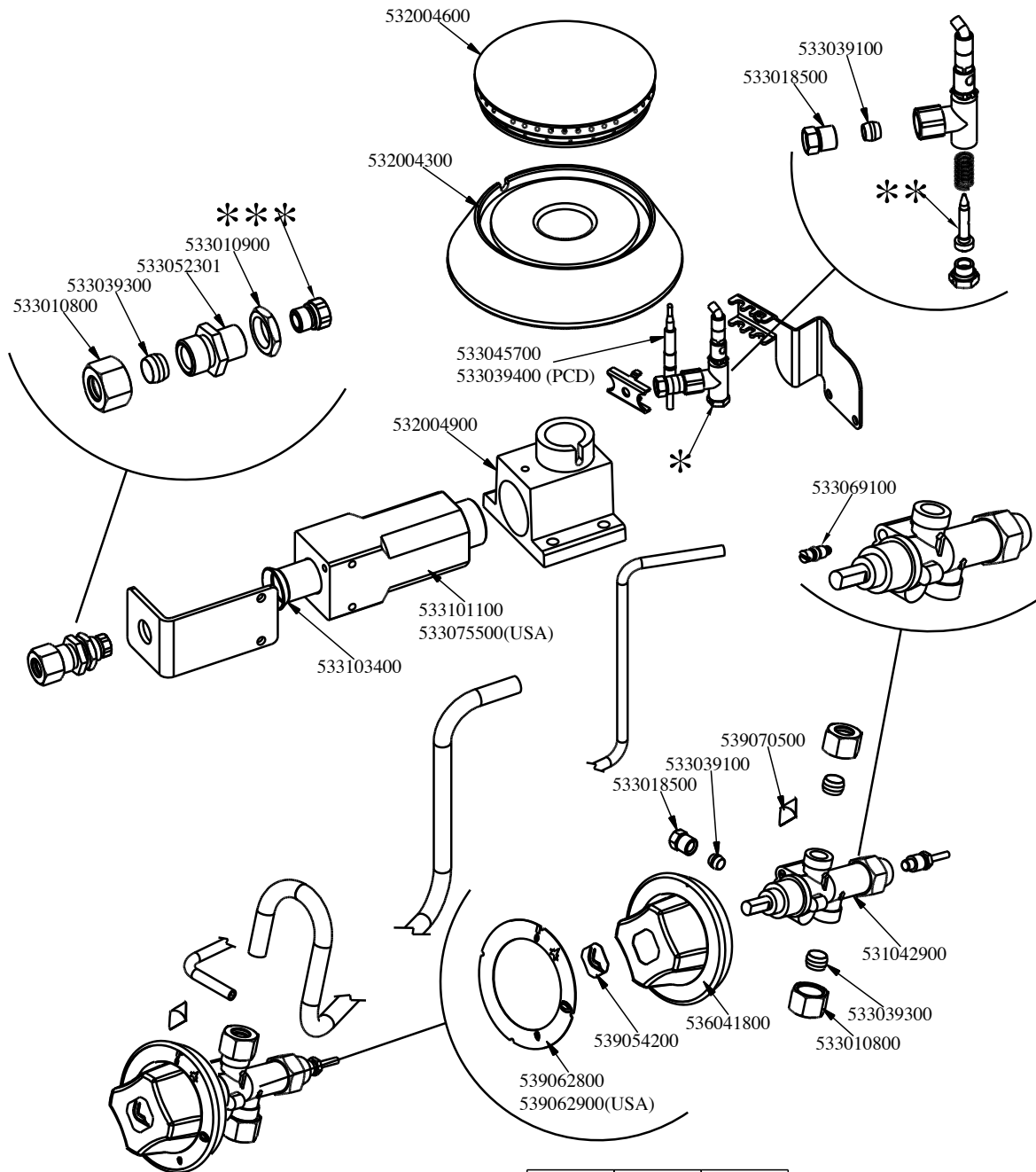
Kod	Nazev
531003300	TP-PLATE LIFTING HOOK
544399100	PLATE RING FOR TP-74G TP-94G
544426600	PLATE RING FOR TP-98G
541146100	PLATE TP-74G
541109701	UPPER PLATE TP-78G
546015200	SQUARE BRAID 12*12*L=1495
546000901	SQUARE BRAID OF INSULATING MATERIAL
531044200	CIRCULAR BURNER TP D.066
531033100	BURNER TP...-78G



TP2T-78GP

2021_11

3



	*	**	***
G30-28+30mbar G31-37mbar	533091400	533091000	533043900
G30-50mbar	533091400	533091000	533019300
G20-20mbar G25-25mbar	533091500	533091200	533031000
G20-20mbar DE-AT	533091500	533091200	533031000
G25-20mbar	533091500	533091200	533043500
G25-25mbar NL	533091500	533091200	533019400
GAS E-10IWC USA	533091400	533091000	533043200
GAS A-4IWC USA	533161200	533091300	533043100
G31-2.49kPa AUS	533091400	533091000	533043900
G20-1kPa AUS	533161200	533091300	533043500



TP2T-78GP

2021_11

3

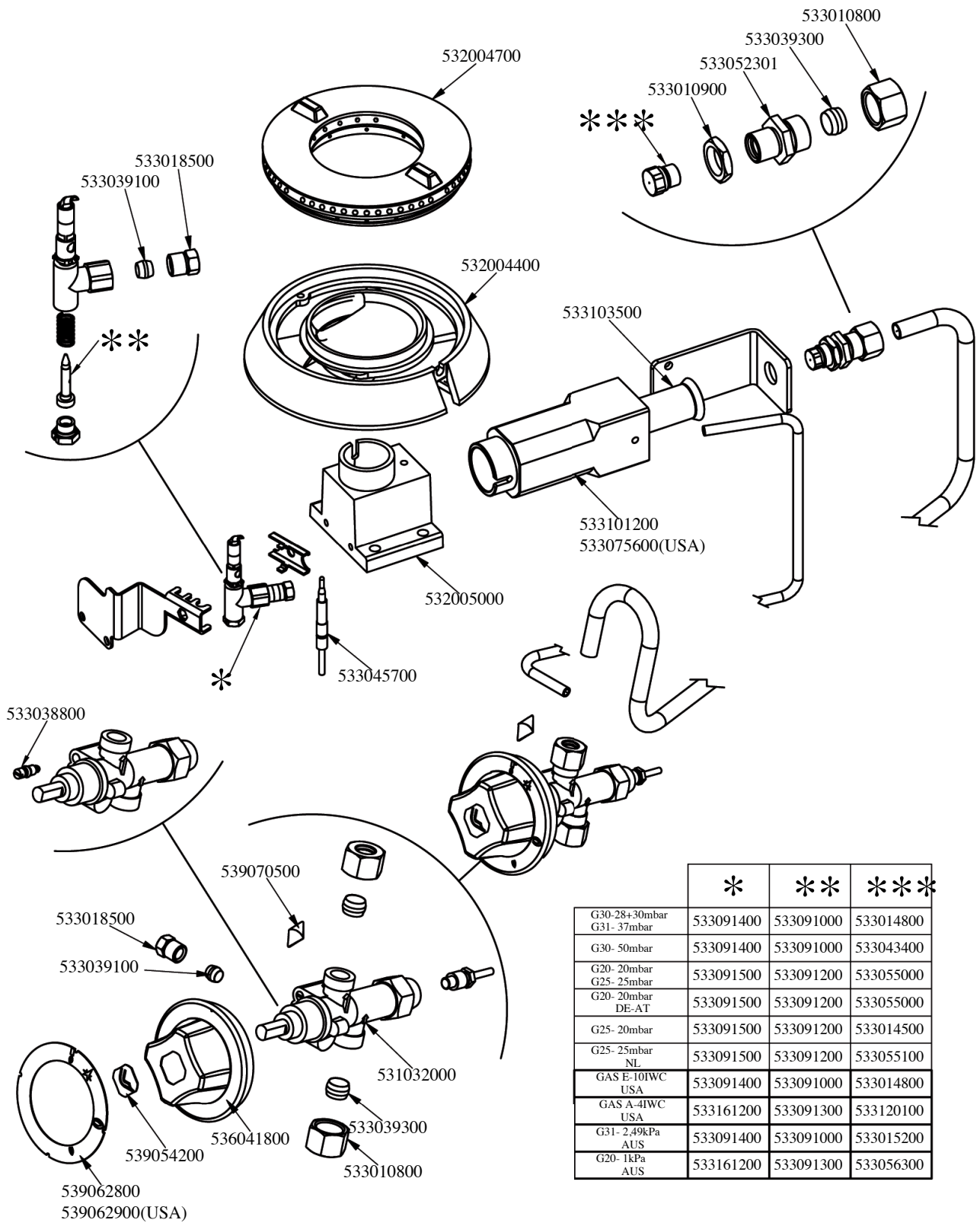
Kod	Nazev
533069100	BY PASS COCK §60 20S
533103400	AIR ADJUSTMENT BUSHING D20 EST.H57
533018500	FITTING FOR BICONE D.6 M10*1
533039100	BICONE §6
539070500	ADHES.LABEL FOR RING RED SIGN.
533010800	TUBE NUT D.10 M16*1,5
533039300	BICONE §10
533052301	JOINT FOR NOZZLE HOLDER
533010900	NUT M14*1 H.4
532004600	BURNER COVER RING R D104
532004300	MIDDLE BURNER BODY 70LINE P.
532004900	ELBOW FITTING OF BURNER VENTURI R
531042900	B.PASS §60 SAFETY COCK PC/CF 90
536041800	SILVER CHROM. KNOB Ø77 4P.G.Ø08X6,5
539054200	STAMP Ø20,5 CR."L" LOTUS R.
533045700	THERMOCOUPLE M9*1 500
533039400	THERMOCOUPLE M9*1*850
539062800	RED STICKING DISK 72
539062900	RED STICKING DISK 72 USA
533101100	BURNER VENTURI R
533075500	BURNER VENTURI 5,5KW S70 USA
533091400	P.NOZZLE S100 UG.§20 PC90 LPG-FLUS
533091500	PILOT NOZZLE S.100 §30 PC90 NAT.GAS
533161200	PILOTA 0100 1F RACC.BIC.UG.Ø40 (_A
533091000	NOZZLE 0.100 §20
533091200	PILOT NOZZLE 0100 Ø35 PIL.PC
533091300	PILOT NOZZLE 0100 Ø40 PIL.PC
533043900	NOZZLE §115 CH12*14 F-CW4
533019300	NOZZLE §100 G-FQ5 F-CW
533031000	NOZZLE §175 CH12X14
533043500	NOZZLE §190 CH12*14 G25 PC4R
533019400	NOZZLE §180 CH12*14 L-FQ5
533043200	NOZZLE §110 G30 (LPG) CH12X14
533043100	NOZZLE §185 G25 CH12X14



TP2T-78GP

2021_11

4



	*	**	***
G30-28+30mbar G31-37mbar	533091400	533091000	533014800
G30-50mbar	533091400	533091000	533043400
G20-20mbar G25-25mbar	533091500	533091200	533055000
G20-20mbar DE-AT	533091500	533091200	533055000
G25-20mbar	533091500	533091200	533014500
G25-25mbar NL	533091500	533091200	533055100
GAS E-10IWC USA	533091400	533091000	533014800
GAS A-4IWC USA	533161200	533091300	533120100
G31-2,49kPa AUS	533091400	533091000	533015200
G20-1kPa AUS	533161200	533091300	533056300



TP2T-78GP

2021_11

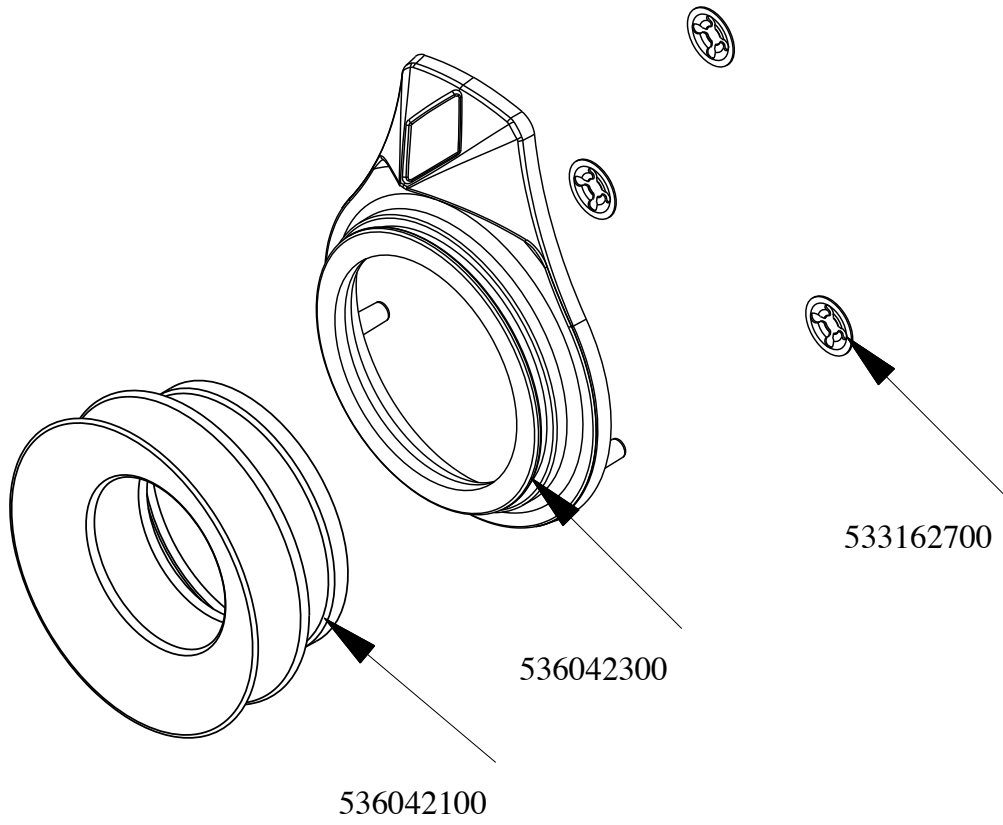
4

Kod	Nazev
533010900	NUT M14*1 H.4
533052301	JOINT FOR NOZZLE HOLDER
533039300	BICONE §10
533010800	TUBE NUT D.10 M16*1,5
532004400	BIG BURNER BODY 70LINE P.
532004700	BURNER COVER RING UR D128
533103500	AIR ADJUSTMENT BUSHING D22 EST.H57
532005000	ELBOW FITTING OF BURNER VENTURI UR
533039100	BICONE §6
533018500	FITTING FOR BICONE D.6 M10*1
533038800	75 BY-PASS FOR 21S TAP
533045700	THERMOCOUPLE M9*1 500
531032000	GAS COCK P.V.BY-PASS Ø075
539070500	ADHES.LABEL FOR RING RED SIGN.
536041800	SILVER CHROM. KNOB Ø77 4P.G.Ø08X6,5
539054200	STAMP Ø20,5 CR."L" LOTUS R.
539062800	RED STICKING DISK 72
539062900	RED STICKING DISK 72 USA
533101200	BURNER VENTURI UR
533075600	BURNER VENTURI 7,5KW S70 USA
533091400	P.NOZZLE S100 UG.§20 PC90 LPG-FLUS
533091500	PILOT NOZZLE S.100 §30 PC90 NAT.GAS
533161200	PILOTA 0100 1F RACC.BIC.UG.Ø40 (_A
533091000	NOZZLE 0.100 §20
533091200	PILOT NOZZLE 0100 Ø35 PIL.PC
533091300	PILOT NOZZLE 0100 Ø40 PIL.PC
533014800	NOZZLE §135 CH12*14,0
533043400	NOZZLE §117 CH12*14 G-PC4 UR
533055000	NOZZLE §205 CH12*14 G25 CW4
533014500	NOZZLE §225 CH12*14 OVEN GN 2/1
533055100	NOZZLE §215 CH12*14 L-CW4
533120100	NOZZLE §210 CH12*14,0
533015200	NOZZLE §145 CH12*14 F-FP/CP6
533056300	NOZZLE §240 CH12*14

TP2T-78GP

2021_11

5





TP2T-78GP

2021_11

5

Kod	Nazev
536042300	SILVER CHROM. RING FOR KNOB Ø77 4 P
536042100	SEAL CASING FOR KNOB Ø77 4 P
533162700	PROCESSING CODE