

# Technical data sheet

## Product features



### Pasta cooker gas 17 l without cabinet

<b>Model</b>	<b>SAP Code</b>	00000369
--------------	-----------------	----------



- Basin volume [l]: 13
- Drain type: On the front panel
- Drain: Yes
- Safety drain: Yes
- Material: AISI 304 top plate and cladding
- Protection of controls: IPX5
- Ignition: Piezo + veÄřnÄ " plamen

<b>SAP Code</b>	00000369	<b>Type of gas</b>	Natural gas, propane butane
<b>Net Width [mm]</b>	400	<b>Basin volume [l]</b>	13
<b>Net Depth [mm]</b>	600	<b>Width of internal part [mm]</b>	310
<b>Net Height [mm]</b>	280	<b>Depth of internal part [mm]</b>	335
<b>Net Weight [kg]</b>	30.00	<b>Height of internal part [mm]</b>	220
<b>Power gas [kW]</b>	6.000		

# Technical data sheet

Technical drawing

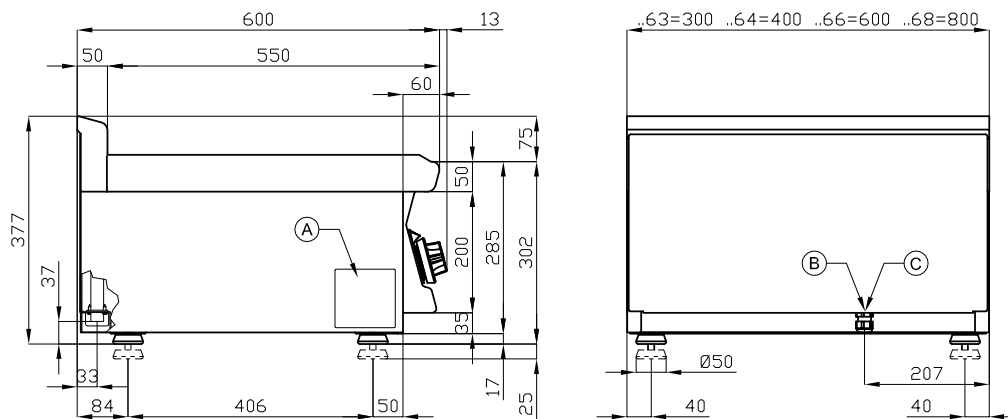


## Pasta cooker gas 17 l without cabinet

Model

SAP Code

00000369



A	Data plate		C	Gas connection	ISO 7-1 1/2" M
---	------------	--	---	----------------	----------------

# Technical data sheet

## Product benefits



### Pasta cooker gas 17 l without cabinet

Model

SAP Code

00000369

1

#### All-stainless steel bathtub

long life  
resistance of AISI 304 stainless steel material  
the material does not cut

- savings on service interventions
- easier and faster operation

2

#### Degree of protection of the control elements IPX5

maintenance-free system  
resistance to splash water  
long life

- savings on service interventions
- easy cleaning and maintenance of equipment

3

#### Drain valve "A" in the front part of the device with a safety lock against self-draining

outlet of the bath into the prepared container

- easy and safe handling

4

#### Micro switch

microswitch preventing the device from running when there is no water in the bath

- prevents destruction of the equipment by overheating

5

#### Safety element "B" thermocouple

microswitch preventing the device from running when there is no water in the bath

- savings on service interventions
- easier and faster operation

# Technical data sheet

Technical parameters



## Pasta cooker gas 17 l without cabinet

Model

SAP Code

00000369

**1. SAP Code:**

00000369

**2. Net Width [mm]:**

400

**3. Net Depth [mm]:**

600

**4. Net Height [mm]:**

280

**5. Net Weight [kg]:**

30.00

**6. Gross Width [mm]:**

430

**7. Gross depth [mm]:**

690

**8. Gross Height [mm]:**

610

**9. Gross Weight [kg]:**

35.00

**10. Device type:**

Gas unit

**11. Construction type of device:**

Table top

**12. Power gas [kW]:**

6.000

**13. Ignition:**

Piezo + veÄŤnÄŤ plamen

**14. Type of gas:**

Natural gas, propane butane

**15. Protection of controls:**

IPX5

**16. Device color:**

Stainless steel

**17. Material:**

AISI 304 top plate and cladding

**18. Worktop Thickness [mm]:**

1.00

**19. Basin volume [l]:**

13

**20. Basin dimensions [mm x mm x mm]:**

GN 2/3-220

**21. Device capacity [l]:**

17.00

**22. Number of power control stages:**

4

**23. Service accessibility:**

Trough the frontal panel

**24. Safety thermocouple:**

Yes

**25. Adjustable feet:**

Yes

**26. Additional information:**

baskets are not included - can be purchased

**27. Basin material:**

AISI 316 - Stainless steel highly resistant to salt water

**28. Drain type:**

On the front panel

# Technical data sheet

Technical parameters



## Pasta cooker gas 17 l without cabinet

**Model**

**SAP Code**

00000369

**29. Drain:**

Yes

**30. Safety drain:**

Yes

**31. Heating location:**

Inside the tank

**32. Width of internal part [mm]:**

310

**33. Depth of internal part [mm]:**

335

**34. Height of internal part [mm]:**

220

**35. Image for addition:**

C43BF4C8-136D-4C73-BA8A-690C85C5B568