

Technical data sheet

Product features



Cooking range induction 2 zones

Model	SAP Code	00013610
--------------	-----------------	----------



- Device type: Electric unit
- Power consumption of the zone 1 [kW]: 5
- Power consumption of the zone 2 [kW]: 5
- Material: AISI 304

SAP Code	00013610	Power electric [kW]	10.000
Net Width [mm]	400	Loading	400 V / 3N - 50 Hz
Net Depth [mm]	900	Number of zones	2
Net Height [mm]	280	Power consumption of the zone 1 [kW]	5
Net Weight [kg]	30.00	Power consumption of the zone 2 [kW]	5

Technical data sheet

Technical drawing

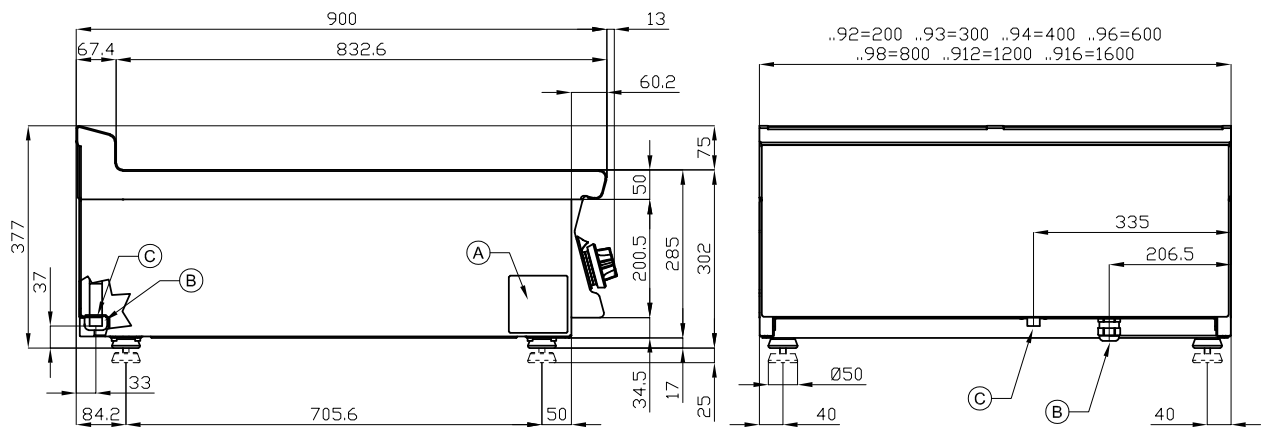


Cooking range induction 2 zones

Model

SAP Code

00013610



A	Data plate	B	Electrical connection
---	------------	---	-----------------------

Technical data sheet

Technical parameters



Cooking range induction 2 zones

Model

SAP Code

00013610

1. SAP Code:

00013610

2. Net Width [mm]:

400

3. Net Depth [mm]:

900

4. Net Height [mm]:

280

5. Net Weight [kg]:

30.00

6. Gross Width [mm]:

430

7. Gross depth [mm]:

970

8. Gross Height [mm]:

540

9. Gross Weight [kg]:

38.00

10. Device type:

Electric unit

11. Construction type of device:

Table top

12. Power electric [kW]:

10.000

13. Loading:

400 V / 3N - 50 Hz

14. Device color:

Stainless steel

15. Material:

AISI 304

16. Worktop type:

Molded - comfortable cleaning maintenance

17. Worktop material:

Glass ceramics

18. Worktop Thickness [mm]:

2.00

19. Number of zones:

2

20. Power consumption of the zone 1 [kW]:

5

21. Power consumption of the zone 2 [kW]:

5

22. Service accessibility:

From the front by removing the front panel and waste fluid containers

23. Number of burners/hot plates:

2

24. Type of electric cooking zones:

Induction