

# Technical data sheet

Product features



## Cooking range glass ceramic electric 2x plate on open cabinet 400 V

<b>Model</b>	<b>SAP Code</b>	00002961
--------------	-----------------	----------



- Device type: Electric unit
- Power consumption of the zone 1 [kW]: 2,5
- Power consumption of the zone 2 [kW]: 2,5
- Protection of controls: IPX5
- Material: Stainless steel

<b>SAP Code</b>	00002961	<b>Loading</b>	400 V / 3N - 50 Hz
<b>Net Width [mm]</b>	400	<b>Number of zones</b>	2
<b>Net Depth [mm]</b>	705	<b>Power consumption of the zone 1 [kW]</b>	2,5
<b>Net Height [mm]</b>	900	<b>Power consumption of the zone 2 [kW]</b>	2,5
<b>Net Weight [kg]</b>	31.00	<b>Ceramic glass dimensions [mm x mm]</b>	350 x 570
<b>Power electric [kW]</b>	5.000		

# Technical data sheet

Technical drawing

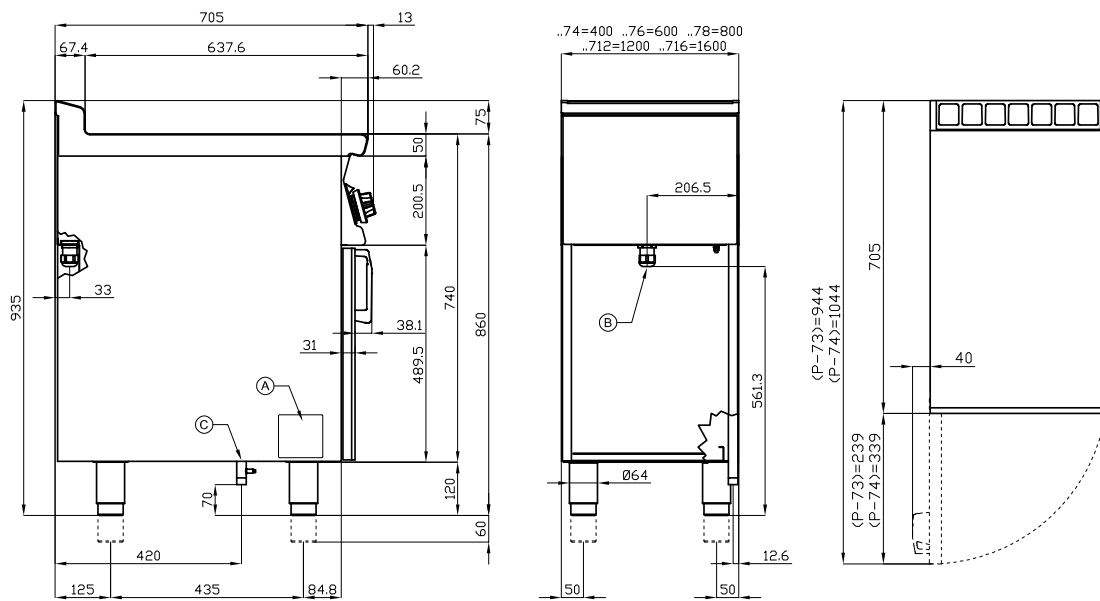


## Cooking range glass ceramic electric 2x plate on open cabinet 400 V

Model

SAP Code

00002961



A	Data plate	B	Electrical connection
---	------------	---	-----------------------

# Technical data sheet

Product benefits



## Cooking range glass ceramic electric 2x plate on open cabinet 400 V

Model

SAP Code

00002961

1

### Glass ceramic surface

quick warm-up  
uniform heating

- saving time in food preparation
- no reheating and long cooking times
- material does not rust

2

### Internal thermostatic plate protection

longer service life of the plates

- no overheating of the plates and no cracking

3

### Degree of protection of the control elements IPX5

maintenance-free system  
resistance to splash water  
long life

- savings on service interventions
- easy cleaning and maintenance of equipment

4

### All-stainless design

the material does not cut  
wear resistance of the material  
long life

- savings on service interventions
- easy cleaning and maintenance of equipment

5

### Hygienic moldings of the top plate

absence of sharp corners and edges (potential places where dirt could stick)  
smooth transitions

- easy quick cleaning

# Technical data sheet

Technical parameters



## Cooking range glass ceramic electric 2x plate on open cabinet 400 V

**Model**

**SAP Code**

00002961

**1. SAP Code:**

00002961

**2. Net Width [mm]:**

400

**3. Net Depth [mm]:**

705

**4. Net Height [mm]:**

900

**5. Net Weight [kg]:**

31.00

**6. Gross Width [mm]:**

430

**7. Gross depth [mm]:**

770

**8. Gross Height [mm]:**

1110

**9. Gross Weight [kg]:**

41.00

**10. Device type:**

Electric unit

**11. Construction type of device:**

With substructure

**12. Power electric [kW]:**

5.000

**13. Loading:**

400 V / 3N - 50 Hz

**14. Protection of controls:**

IPX5

**15. Material:**

Stainless steel

**16. Worktop type:**

Molded - comfortable cleaning maintenance

**17. Worktop material:**

Glass ceramics

**18. Worktop Thickness [mm]:**

2.00

**19. Number of zones:**

2

**20. Power consumption of the zone 1 [kW]:**

2,5

**21. Power consumption of the zone 2 [kW]:**

2,5

**22. Number of power control stages:**

7

**23. Service accessibility:**

Trough the frontal panel

**24. Safety element:**

internal thermostatic protection of the hotplate  
against overheating  
residual heat warning light

**25. Safety thermostat:**

Yes

**26. Adjustable feet:**

Yes

# Technical data sheet

Technical parameters



## Cooking range glass ceramic electric 2x plate on open cabinet 400 V

<b>Model</b>	<b>SAP Code</b>	00002961
--------------	-----------------	----------

### 27. Additional information:

door not included - can be purchased

### 29. Type of electric cooking zones:

Glass ceramic

### 28. Number of burners/hot plates:

2

### 30. Ceramic glass dimensions [mm x mm]:

350 x 570