

Technical data sheet

Product features



Cooking range electric on open cabinet

Model	SAP Code	00014770
--------------	-----------------	----------



- Device type: Electric unit
- Protection of controls: IP24
- Material: AISI 304 top plate and cladding

SAP Code	00014770	Net Weight [kg]	73.00
Net Width [mm]	1200	Power electric [kW]	15.600
Net Depth [mm]	730	Loading	400 V / 3N - 50 Hz
Net Height [mm]	900		

Technical data sheet

Technical drawing

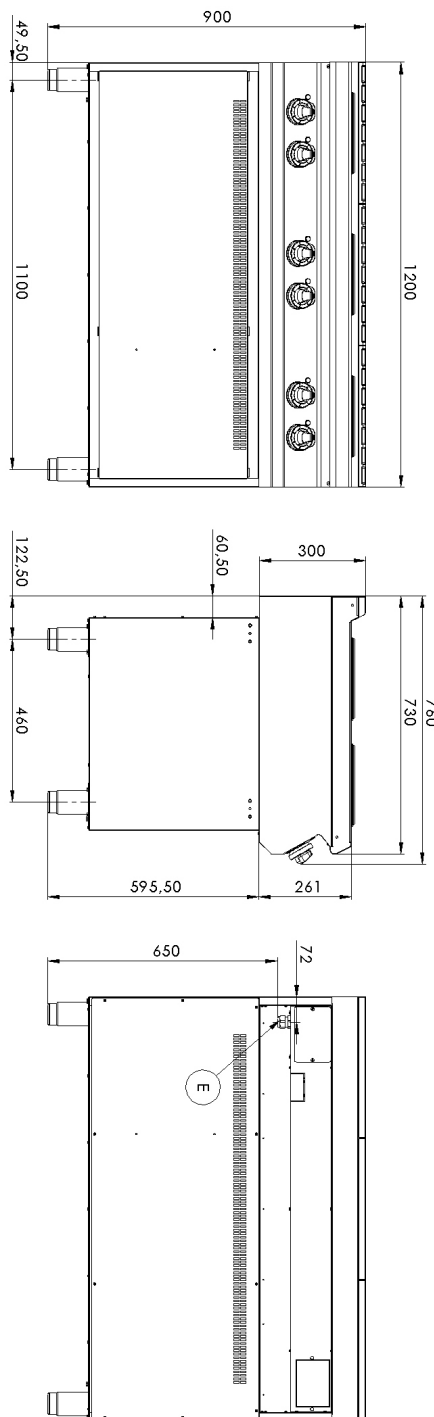


Cooking range electric on open cabinet

Model

SAP Code

00014770



Technical data sheet

Technical parameters



Cooking range electric on open cabinet

Model

SAP Code

00014770

1. SAP Code:

00014770

2. Net Width [mm]:

1200

3. Net Depth [mm]:

730

4. Net Height [mm]:

900

5. Net Weight [kg]:

73.00

6. Gross Width [mm]:

1260

7. Gross depth [mm]:

820

8. Gross Height [mm]:

1080

9. Gross Weight [kg]:

90.00

10. Device type:

Electric unit

11. Construction type of device:

With substructure

12. Power electric [kW]:

15.600

13. Loading:

400 V / 3N - 50 Hz

14. Protection of controls:

IP24

15. Device color:

Stainless steel

16. Material:

AISI 304 top plate and cladding

17. Indicators:

operation

18. Worktop type:

Molded - comfortable cleaning maintenance

19. Worktop material:

AISI 304

20. Worktop Thickness [mm]:

1.50

21. Maximum device temperature [°C]:

400

22. Minimum device temperature [°C]:

50

23. Service accessibility:

Trough the frontal panel

24. Adjustable feet:

Yes

25. Number of burners/hot plates:

6

26. Type of electric cooking zones:

Oval