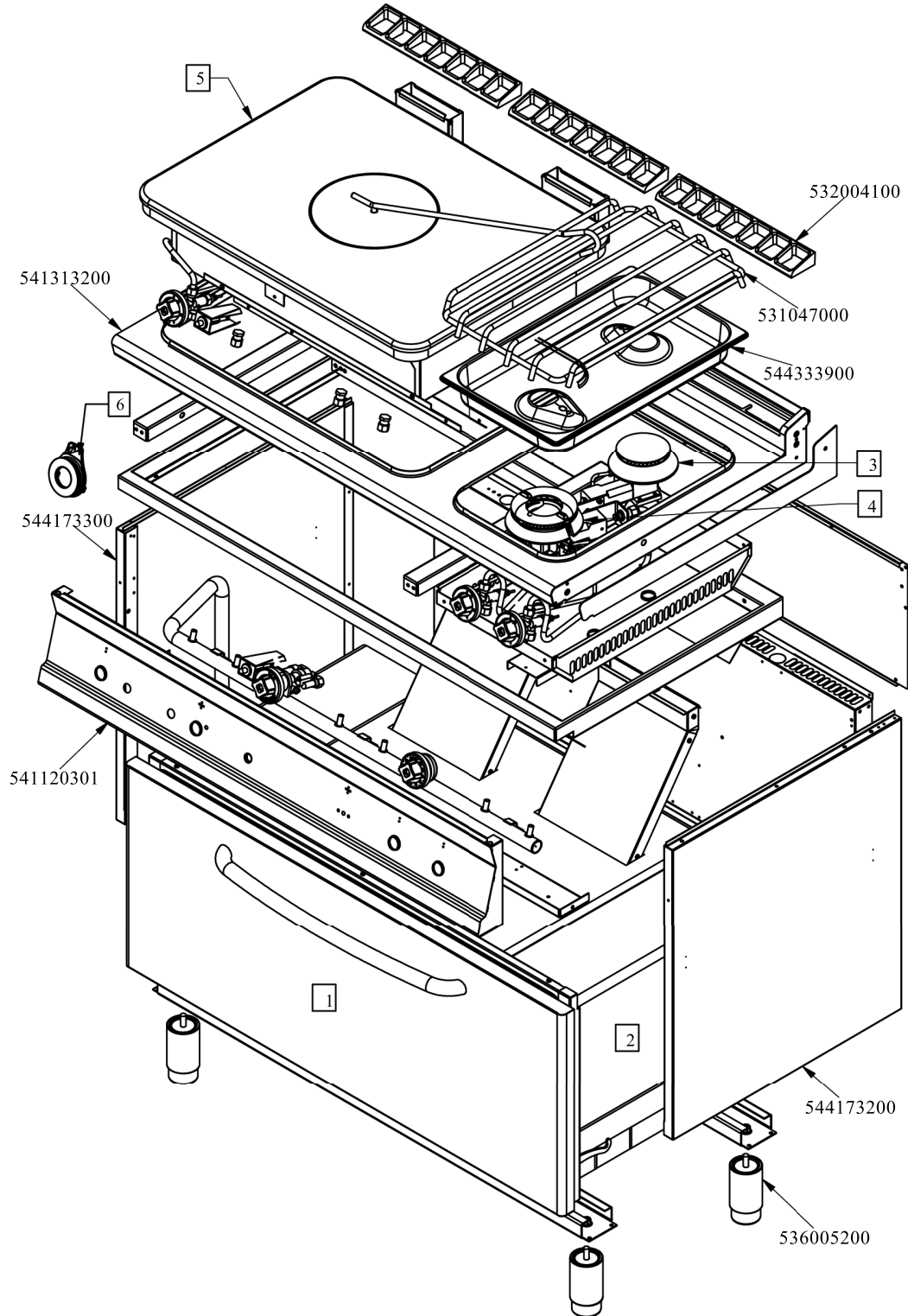
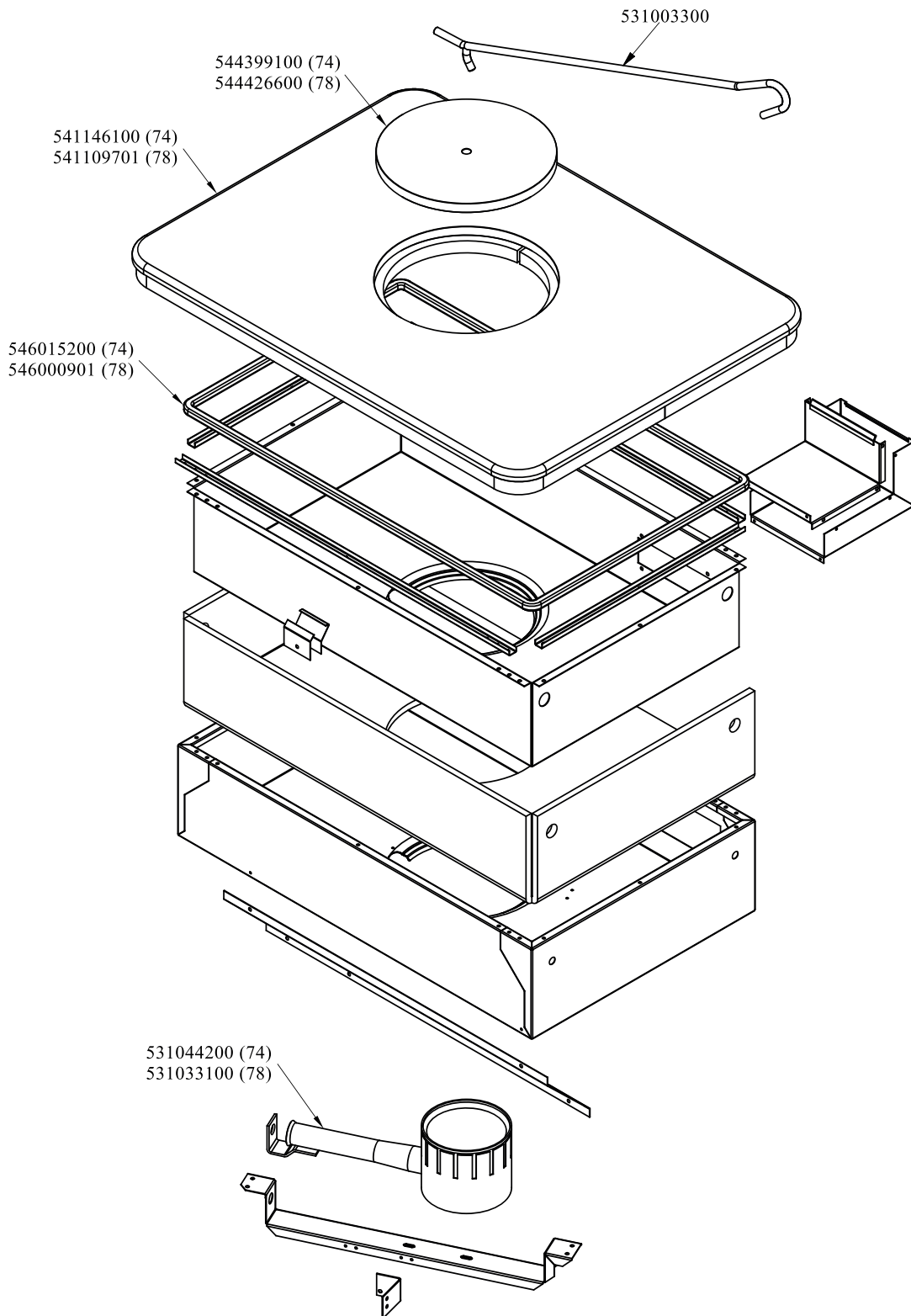


RM 700  
 Platný od 1.5. 2019  
 TPF2-712GP





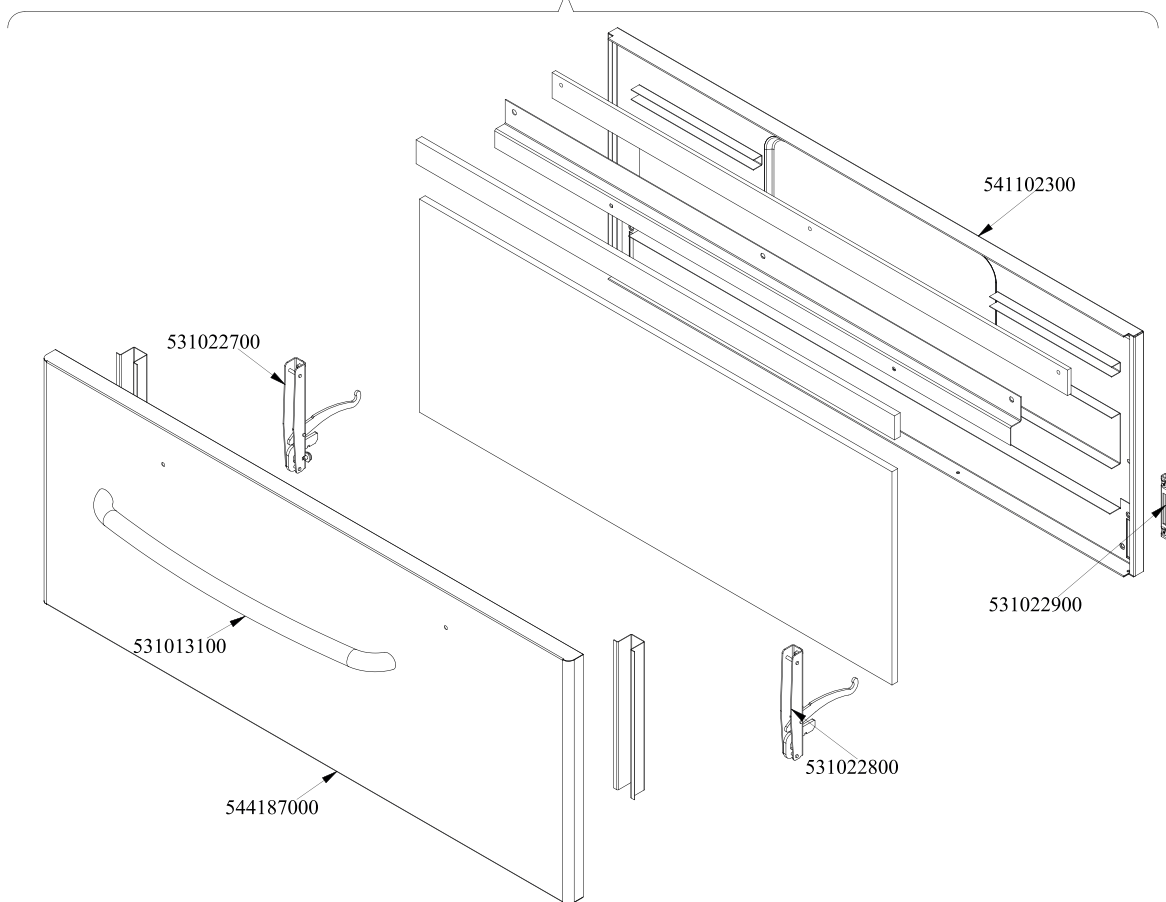




Objednací kód	Popis v ENG
531003300	TP-PLATE LIFTING HOOK
544399100	PLATE RING FOR TP-74G TP-94G
544426600	PLATE RING FOR TP-98G
541146100	PLATE TP-74G
541109701	UPPER PLATE TP-78G
546015200	SQUARE BRAID 12*12*L=1495
546000901	SQUARE BRAID OF INSULATING MATERIAL
531044200	CIRCULAR BURNER TP D.066
531033100	BURNER TP..-78G



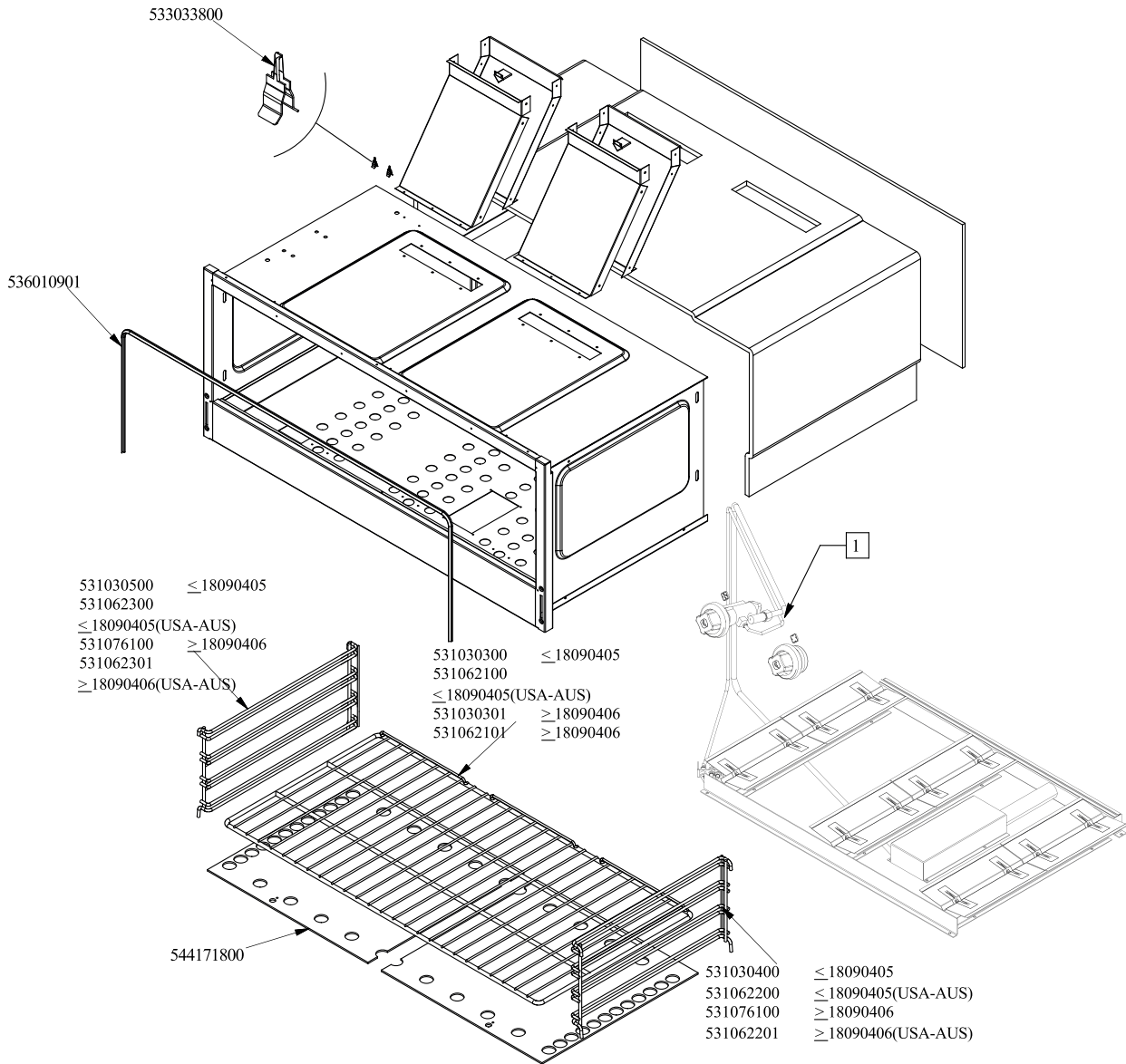
GN3/1



560099900M01P00



Objednací kód	Popis v ENG
541102300	GAS OVEN INNER DOOR GN 3/1 S.70
531022800	531022800N DOOR HINGE S.70
531022900	HINGE ROLLER HOLDER FOR 700-OVEN
531013100	OVEN DOOR HANDLE OF 70/90-LINE
531022700	LEFT OVEN DOOR HINGE 70LINE
544187000	OVEN DOOR GN 3/1 S.70

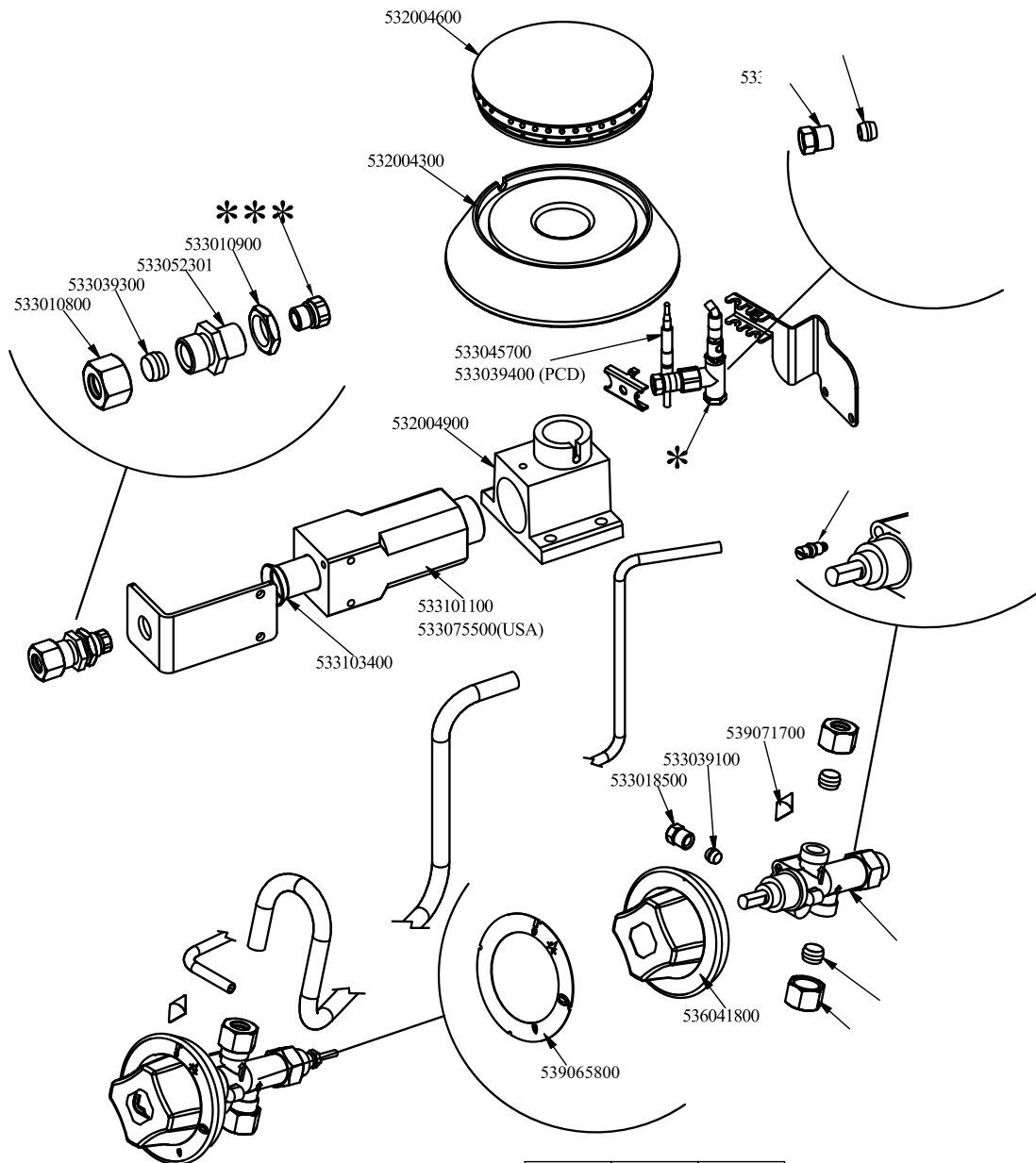


560012402M01P00



Objednací kód	Popis v ENG
531030500	LHD SUPPORT GRID FOR OVEN OF 70LINE
531062300	LHD SUPPORT GRID FOR OVEN OF 70LINE
531076100	
531062301	
531030400	RHD SUPPORT GRID FOR OVEN OF 70LINE
531062200	RHD SUPPORT GRID FOR OVEN OF 70LINE
531062201	
531030300	OVEN GRID GN 3/1 FOR 70 LINE
531062100	OVEN GRID GN 3/1 FOR 70 LINE
531030301	
531062101	
544171800	BOTTOM FOR GAS OVEN GN3/1 70 LINE
533033800	LOCK SPRING FOR BULB \$6

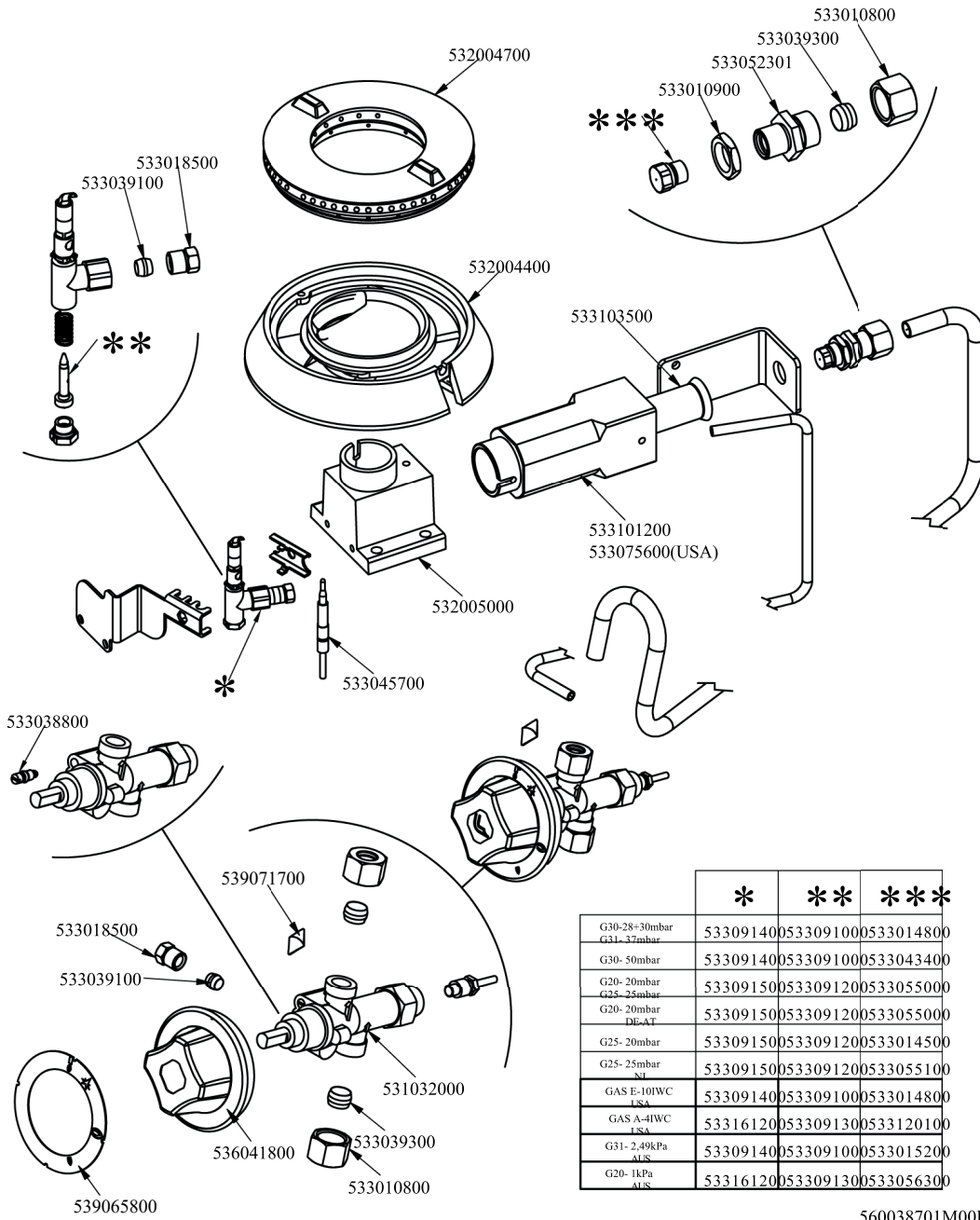




	*	**	**
G30-28+30mbar G31-37mbar	533091400	533091000	533043900
G30-50mbar	533091400	533091000	533019300
G20-20mbar G25-25mbar	533091500	533091200	533031000
G20-20mbar DE-AT	533091500	533091200	533031000
G25-20mbar	533091500	533091200	533043500
G25-25mbar NL	533091500	533091200	533019400
GAS E-10IWC USA	533091400	533091000	533043200
GAS A-4IWC USA	533161200	533091300	533043100
G31-2,49kPa AUS	533091400	533091000	533043900
G20-1kPa AUS	533161200	533091300	533043500



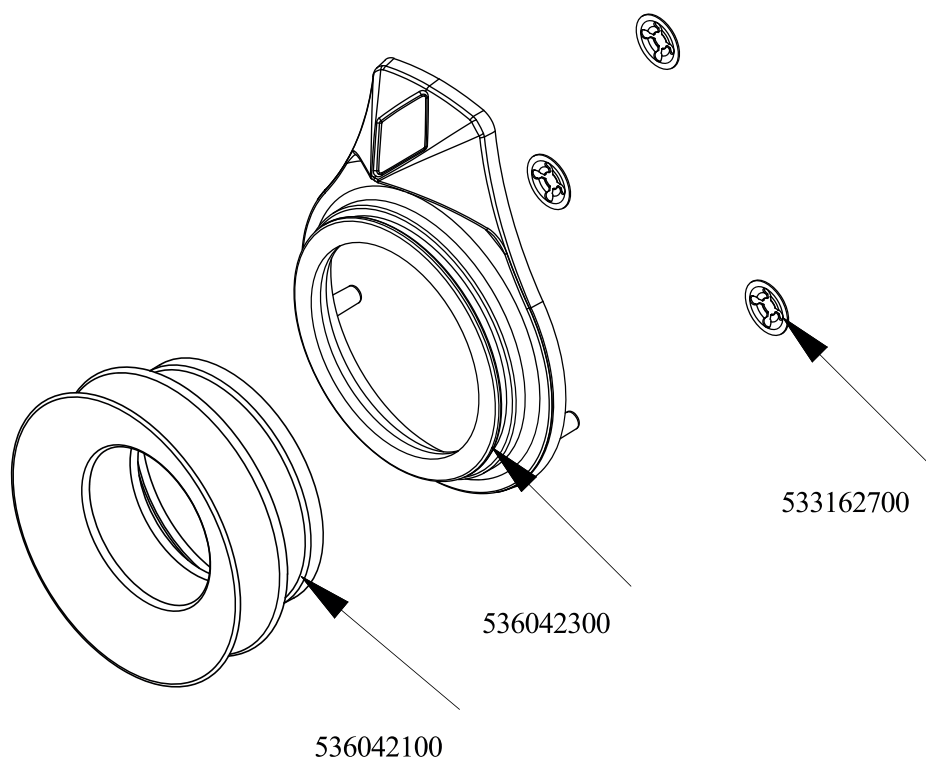
Objednačí kód	Popis v ENG
533069100	BY PASS COCK §60 20S
533103400	AIR ADJUSTMENT BUSHING D20 EST.H57
533018500	FITTING FOR BICONE D.6 M10*1
533039100	BICONE §6
539071700	ADHES.LABEL FOR RING GREEN SIGN.
533010800	TUBE NUT D.10 M16*1,5
533039300	BICONE §10
533052301	JOINT FOR NOZZLE HOLDER
533010900	NUT M14*1 H.4
532004600	BURNER COVER RING R D104
532004300	MIDDLE BURNER BODY 70LINE P.
532004900	ELBOW FITTING OF BURNER VENTURI R
531042900	B.PASS §60 SAFETY COCK PC/CF 90
536041800	SILVER CHROM. KNOB Ø77 4P.G.Ø08X6,5
533045700	THERMOCOUPLE M9*1 500
533039400	THERMOCOUPLE M9*1*850
539065800	BLACK STICKING DISK 72
533101100	BURNER VENTURI R
533075500	BURNER VENTURI 5,5KW S70 USA
533091400	P.NOZZLE S100 UG.§20 PC90 LPG-FLUS
533091500	PILOT NOZZLE S.100 §30 PC90 NAT.GAS
533161200	
533091000	NOZZLE 0.100 §20
533091200	PILOT NOZZLE 0100 Ø35 PIL.PC
533091300	PILOT NOZZLE 0100 Ø40 PIL.PC
533043900	NOZZLE §115 CH12*14 F-CW4
533019300	NOZZLE §100 G-FQ5 F-CW
533031000	NOZZLE §175 CH12X14
533043500	NOZZLE §190 CH12*14 G25 PC4R
533019400	NOZZLE §180 CH12*14 L-FQ5
533043200	NOZZLE §110 G30 (LPG) CH12X14
533043100	NOZZLE §185 G25 CH12X14



560038701M00P00



Objednací kód	Popis v ENG
533010900	NUT M14*1 H.4
533052301	JOINT FOR NOZZLE HOLDER
533039300	BICONE §10
533010800	TUBE NUT D.10 M16*1,5
532004400	BIG BURNER BODY 70LINE P.
532004700	BURNER COVER RING UR D128
533103500	AIR ADJUSTMENT BUSHING D22 EST.H57
532005000	ELBOW FITTING OF BURNER VENTURI UR
533039100	BICONE §6
533018500	FITTING FOR BICONE D.6 M10*1
533038800	75 BY-PASS FOR 21S TAP
533045700	THERMOCOUPLE M9*1 500
531032000	GAS COCK P.V.BY-PASS Ø075
539071700	ADHES.LABEL FOR RING GREEN SIGN.
536041800	SILVER CHROM. KNOB Ø77 4P.G.Ø08X6,5
539065800	BLACK STICKING DISK 72
533101200	BURNER VENTURI UR
533075600	BURNER VENTURI 7,5KW S70 USA
533091400	P.NOZZLE S100 UG.§20 PC90 LPG-FLUS
533091500	PILOT NOZZLE S.100 §30 PC90 NAT.GAS
533161200	
533091000	NOZZLE 0.100 §20
533091200	PILOT NOZZLE 0100 Ø35 PIL.PC
533091300	PILOT NOZZLE 0100 Ø40 PIL.PC
533014800	NOZZLE §135 CH12*14,0
533043400	NOZZLE §117 CH12*14 G-PC4 UR
533055000	NOZZLE §205 CH12*14 G25 CW4
533014500	NOZZLE §225 CH12*14 OVEN GN 2/1
533055100	NOZZLE §215 CH12*14 L-CW4
533120100	NOZZLE §210 CH12*14,0
533015200	NOZZLE §145 CH12*14 F-FP/CP6
533056300	NOZZLE §240 CH12*14



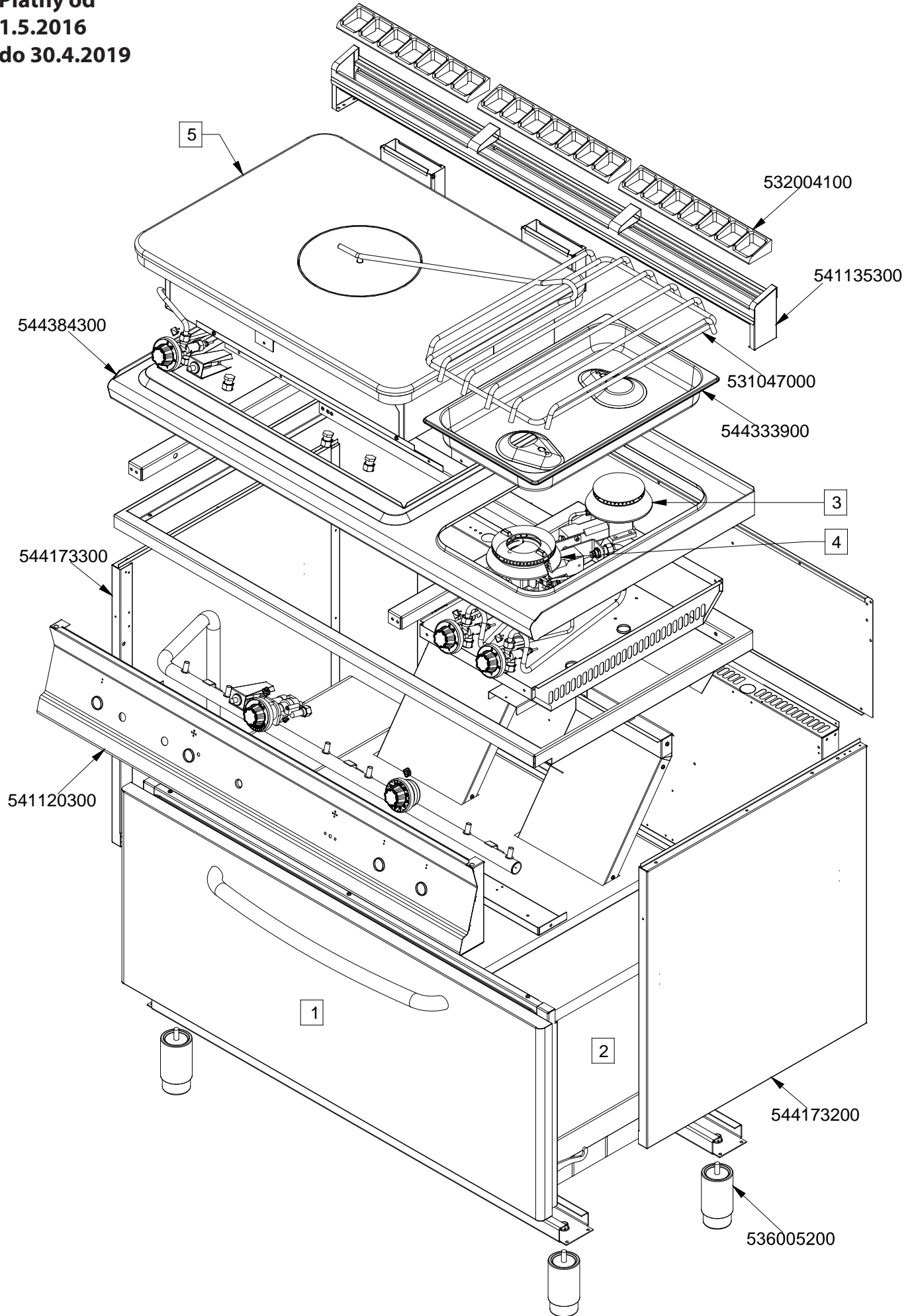
560125700M00P00



Objednačí kód	Popis v ENG
536042300	SILVER CHROM. RING FOR KNOB Ø77 4 P
536042100	SEAL CASING FOR KNOB Ø77 4 P
533162700	PROCESSING CODE



TPF2 - 712 GP  
 Platný od  
 1.5.2016  
 do 30.4.2019



TPF2 - 712 GP

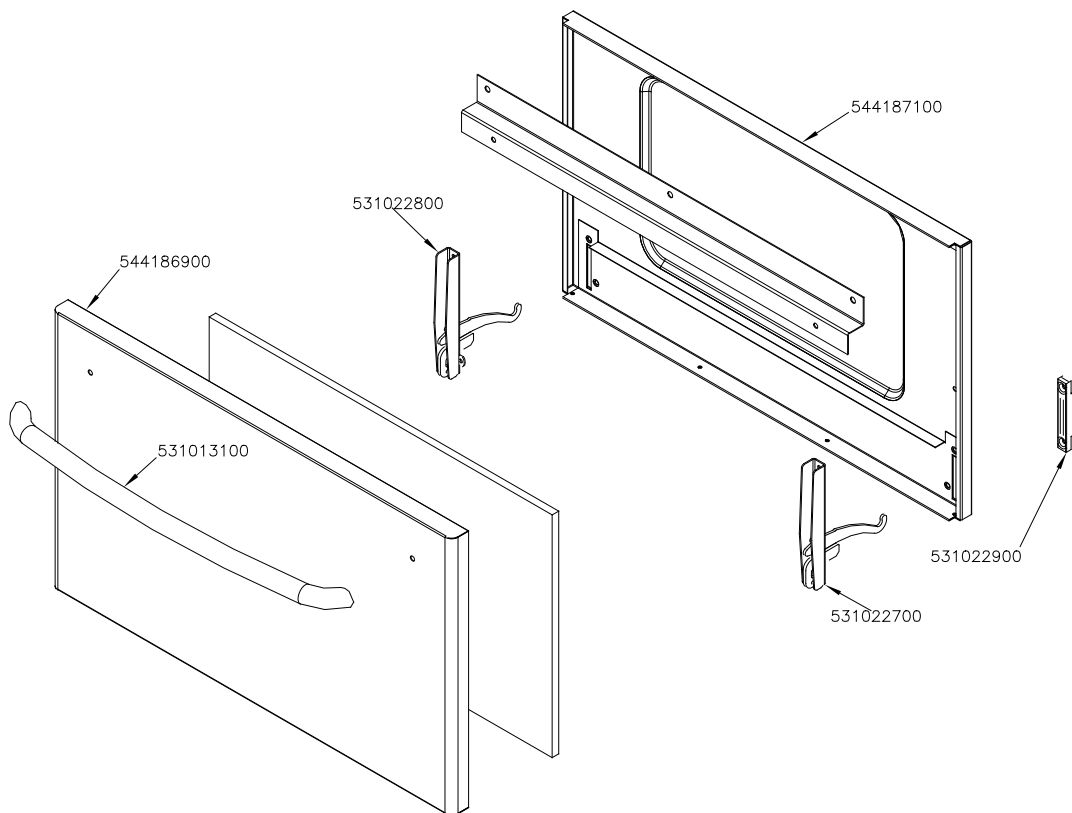
(1)

Platný od

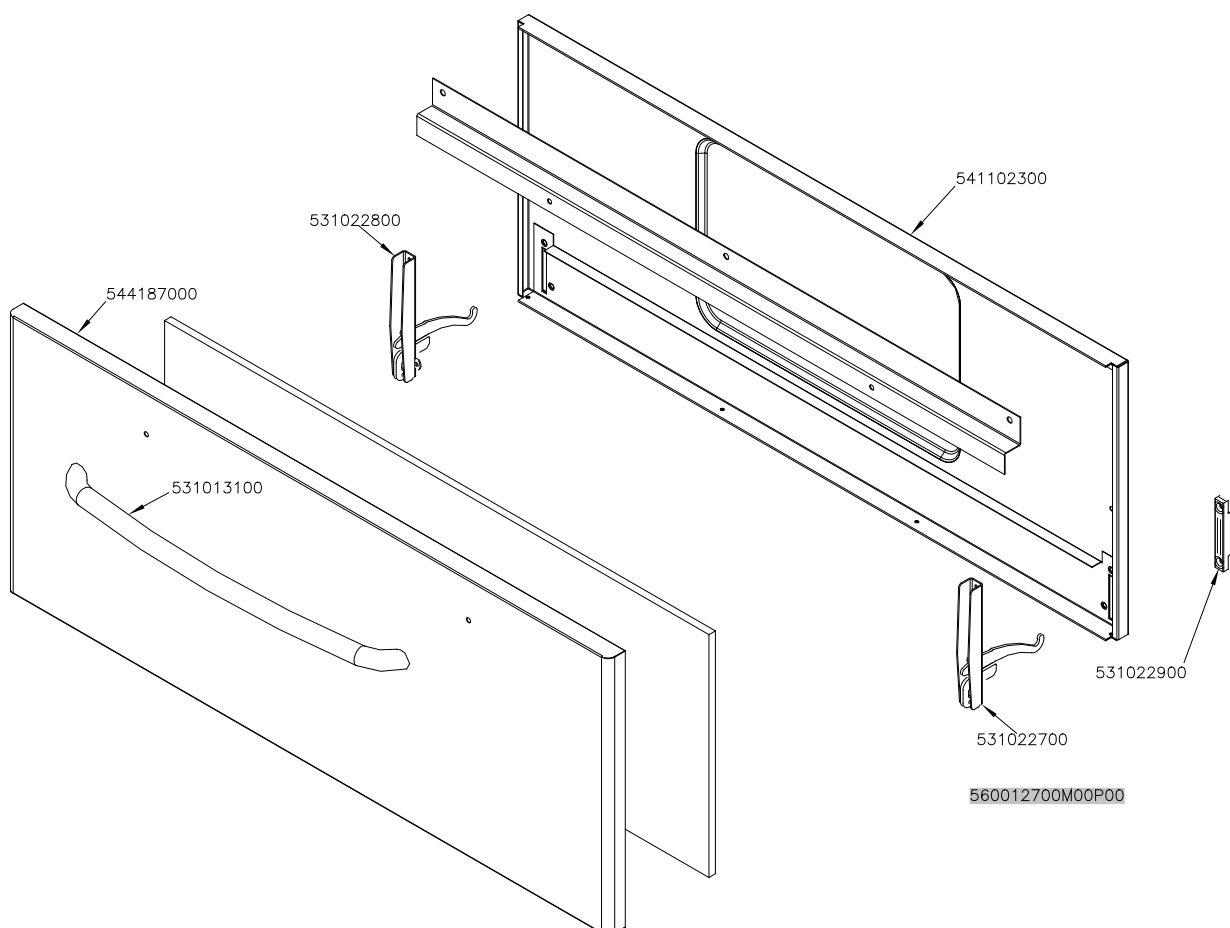
1.5.2016

do 30.4.2019

GN 2/1



GN 3/1





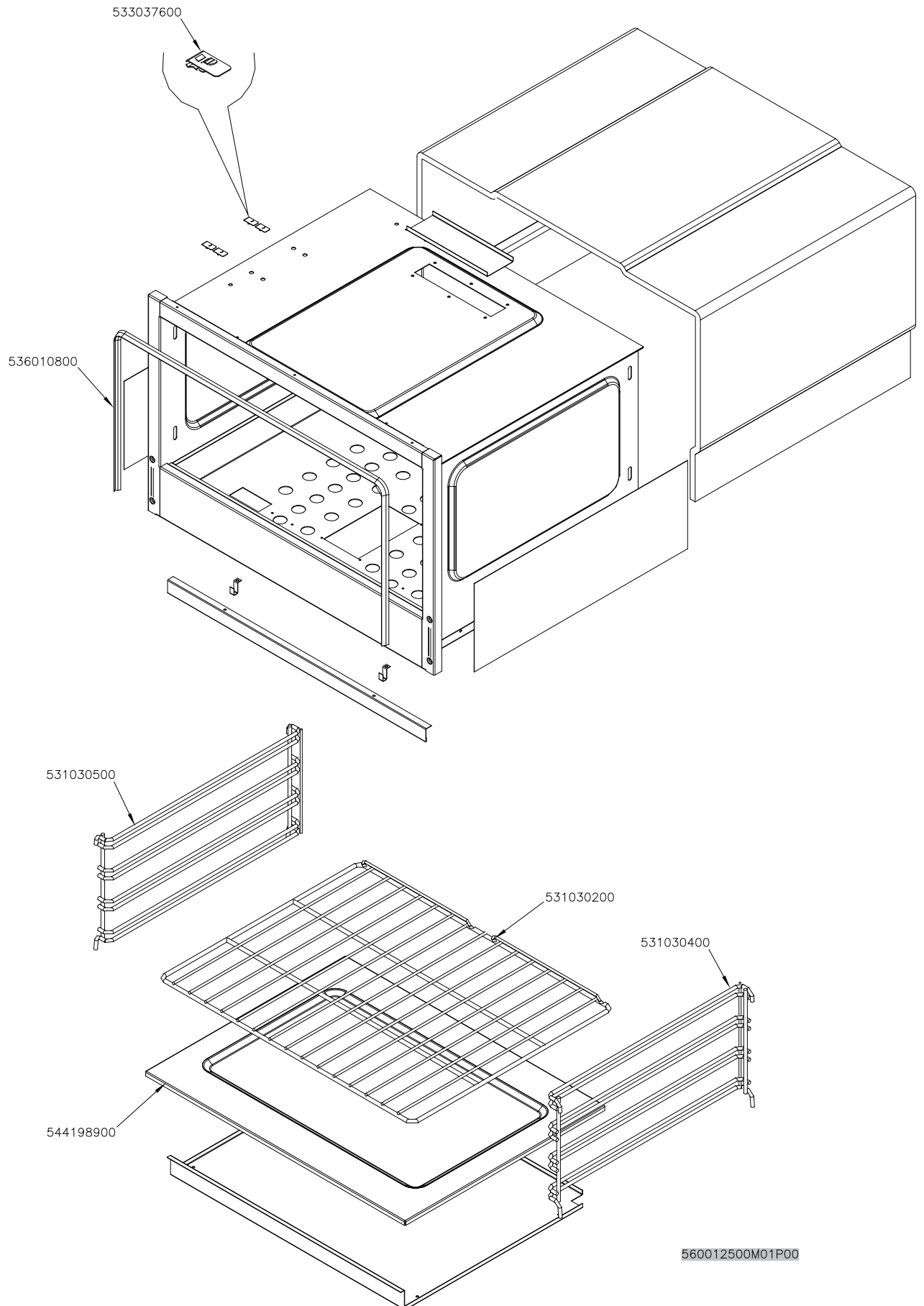
TPF2 - 712 GP

(2)

Platný od

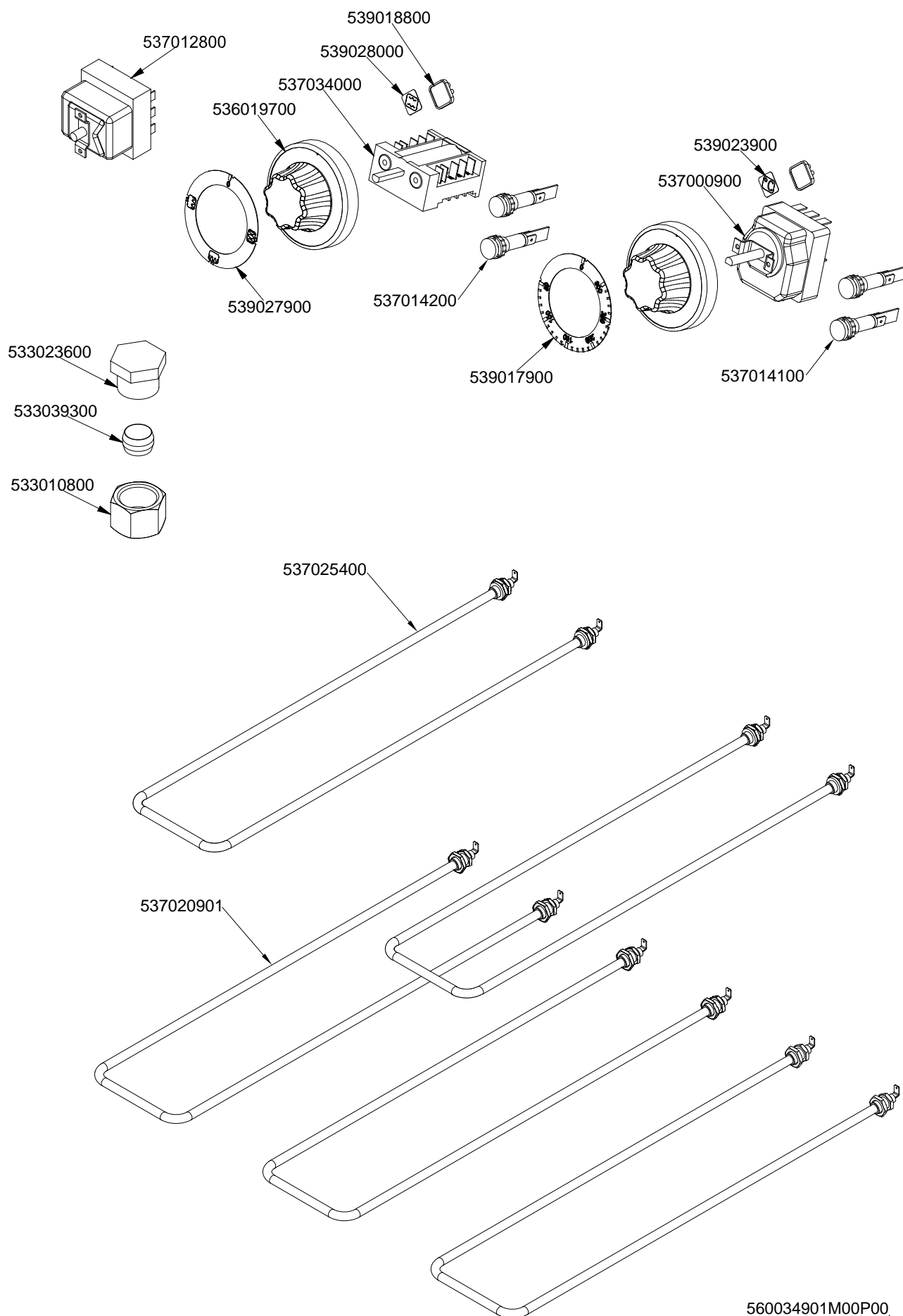
1.5.2016

do 30.4.2019



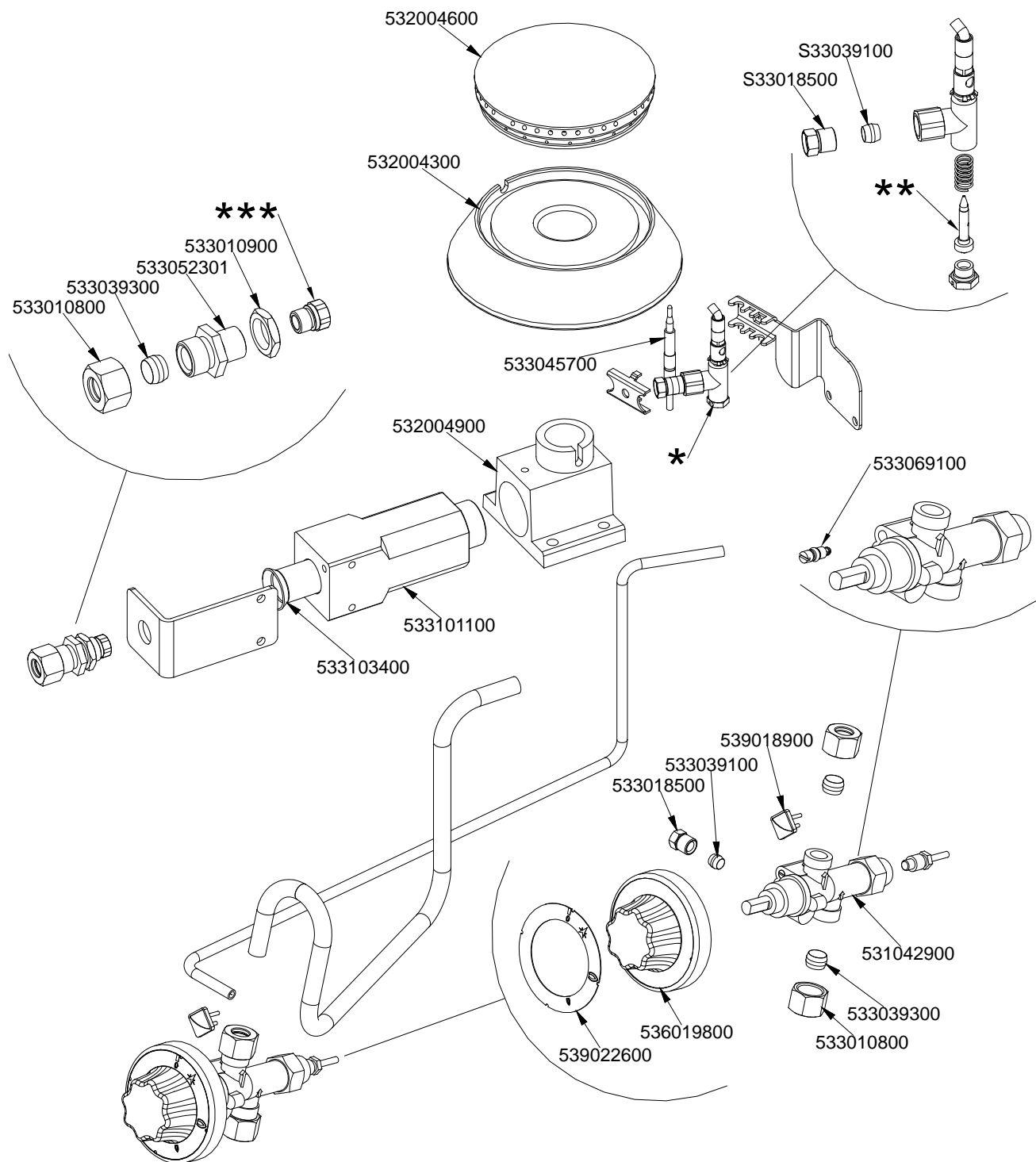


TPF2 - 712 GP  
 Platný od  
 1.5.2016  
 do 30.4.2019





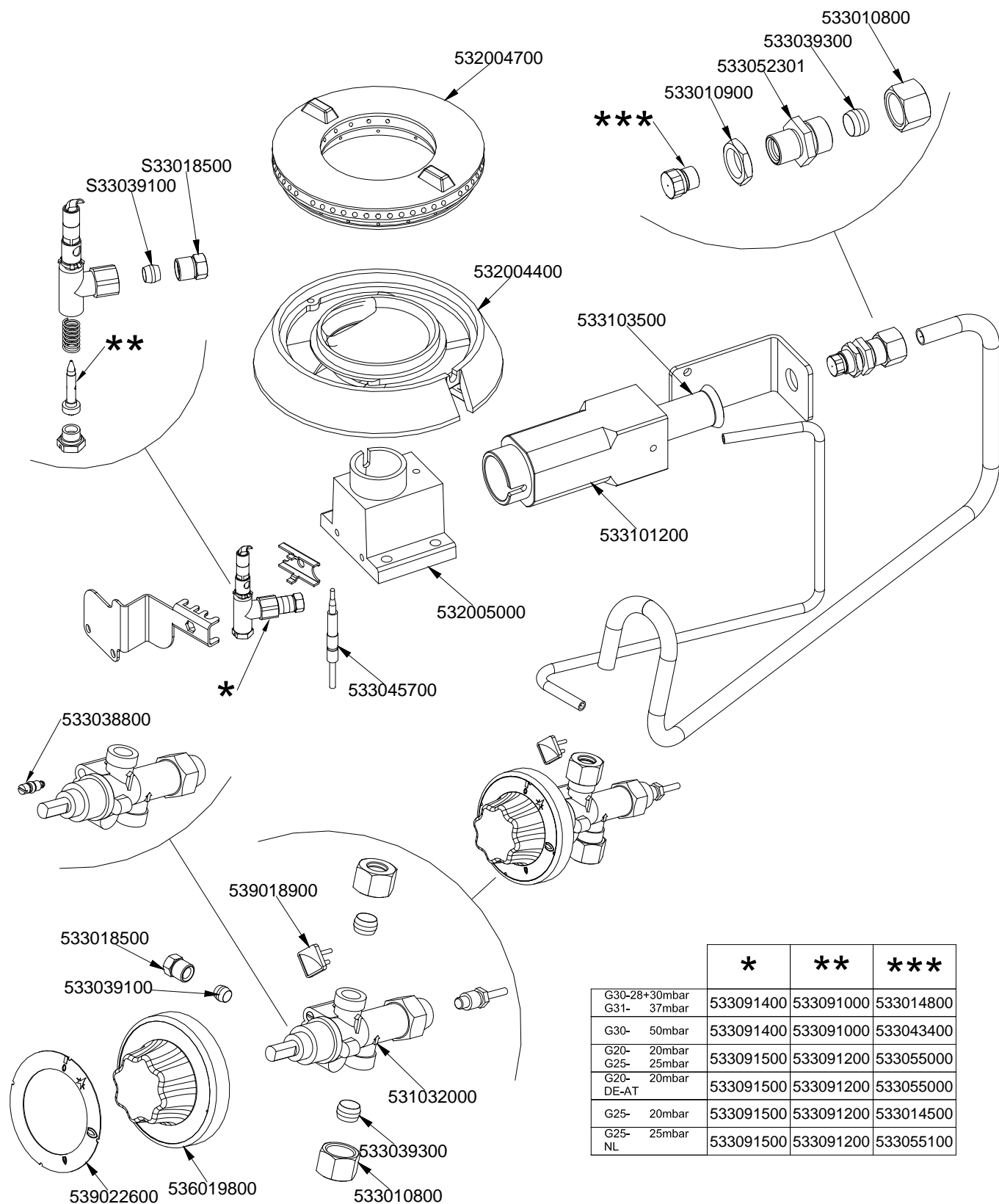
TPF2 - 712 GP  
 PC-G R  
 (3)  
 Platný od  
 1.5.2016  
 do 30.4.2019



	*	**	***
G30-28+30mbar G31- 37mbar	533091400	533091000	533043900
G30- 50mbar	533091400	533091000	533019300
G20- 20mbar G25- 25mbar	533091500	533091200	533031000
G20- 20mbar DE-AT	533091500	533091200	533031000
G25- 20mbar	533091500	533091200	533043500
G25- 25mbar NL	533091500	533091200	533019400



TPF2 - 712 GP  
 PC-G UR  
 (4)  
 Platný od  
 1.5.2016  
 do 30.4.2019



	*	**	***
G30-28+30mbar G31- 37mbar	533091400	533091000	533014800
G30- 50mbar	533091400	533091000	533043400
G20- 20mbar G25- 25mbar	533091500	533091200	533055000
G20- DE-AT	533091500	533091200	533055000
G25- 20mbar	533091500	533091200	533014500
G25- NL	533091500	533091200	533055100

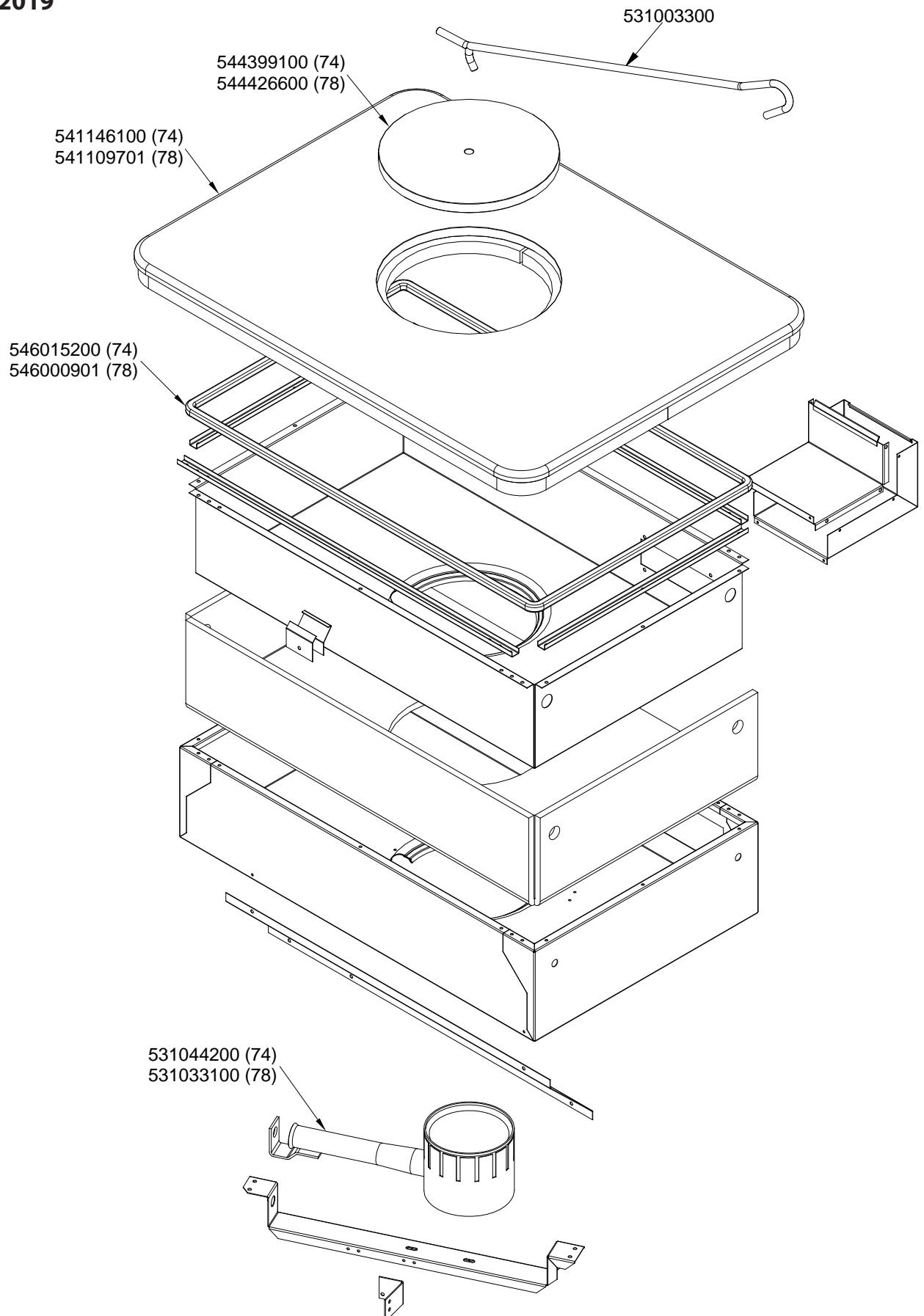
TPF2 - 712 GP

(5)

Platný od

1.5.2016

do 30.4.2019





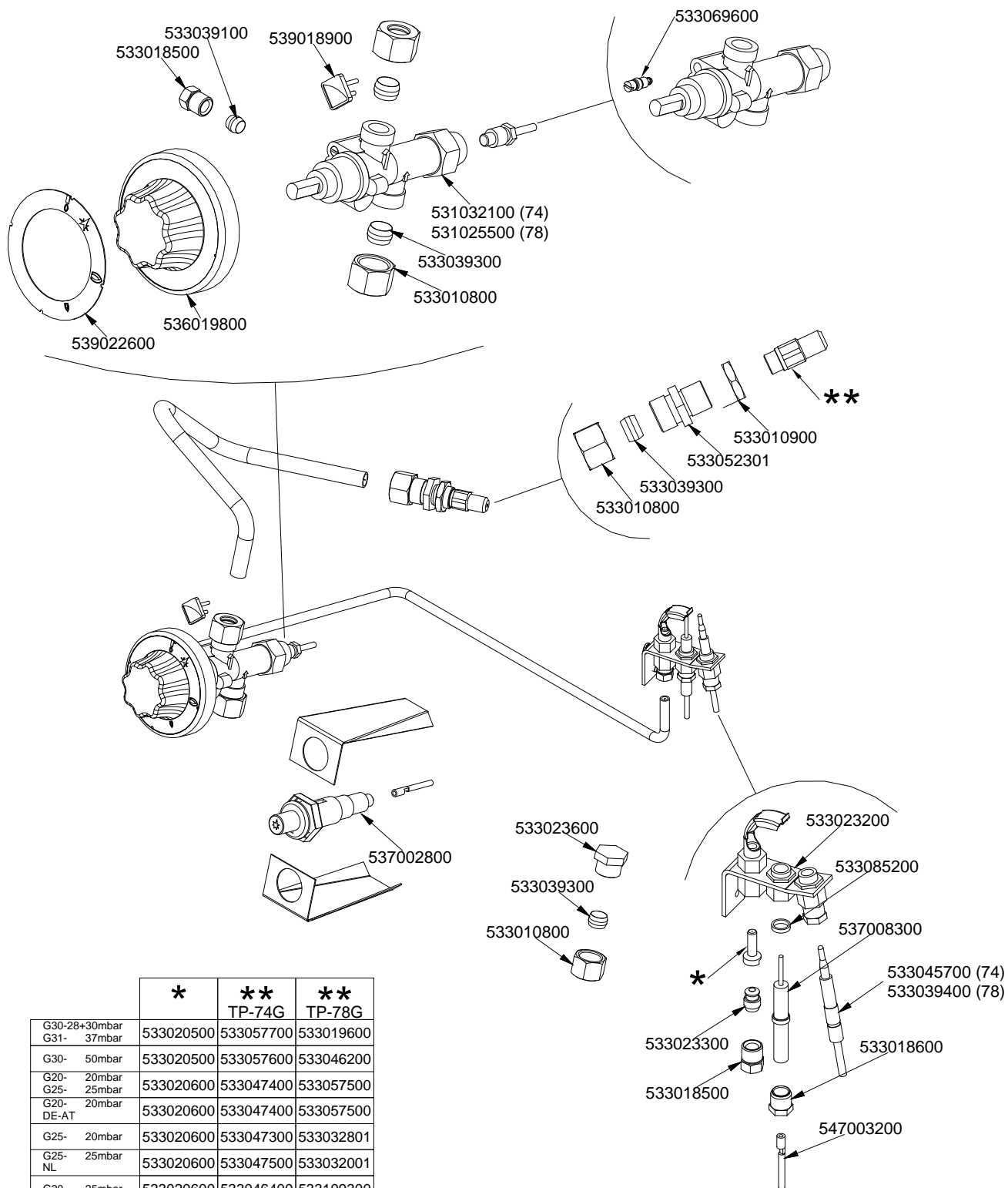
## TPF2 - 712 GP

(5)

Platný od

1.5.2016

do 30.4.2019



	*	**	**
		TP-74G	TP-78G
G30-28+30mbar G31- 37mbar	533020500	533057700	533019600
G30- 50mbar	533020500	533057600	533046200
G20- 20mbar G25- 25mbar	533020600	533047400	533057500
G20- 20mbar DE-AT	533020600	533047400	533057500
G25- 20mbar	533020600	533047300	533032801
G25- 25mbar NL	533020600	533047500	533032001
G20- 25mbar	533020600	533046400	533109300