

Technical data sheet

Product features



Cooking range gas with static gas oven GN 2/1 - 4x burner

Model	SAP Code	00000298
--------------	-----------------	----------



- Device type: Gas unit
- Power consumption of the zone 1 [kW]: 7,5
- Power consumption of the zone 2 [kW]: 5,5
- Power consumption of the zone 3 [kW]: 5,5
- Power consumption of the zone 4 [kW]: 3,5
- Ignition: Eternal flame
- Type of internal part of the appliance 1 (eg oven): Gas
- Type of internal part of the appliance 2 (eg oven): Static
- Protection of controls: IPX5
- Material: Stainless steel

SAP Code	00000298	Power consumption of the zone 2 [kW]	5,5
Net Width [mm]	800	Power consumption of the zone 3 [kW]	5,5
Net Depth [mm]	705	Power consumption of the zone 4 [kW]	3,5
Net Height [mm]	900	Type of internal part of the appliance 1 (eg oven)	Gas
Net Weight [kg]	125.00	Type of internal part of the appliance 2 (eg oven)	Static
Power gas [kW]	29.300	Width of internal part [mm]	670
Type of gas	Natural gas, propane butane	Depth of internal part [mm]	550
Number of zones	4	Height of internal part [mm]	340
Power consumption of the zone 1 [kW]	7,5		

Technical data sheet

Technical drawing

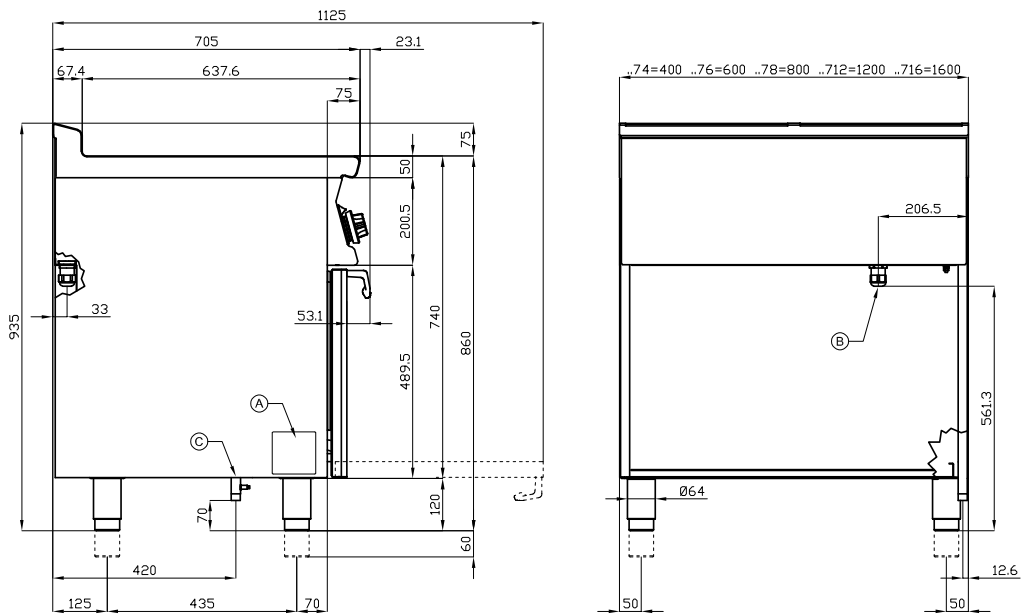


Cooking range gas with static gas oven GN 2/1 - 4x burner

Model

SAP Code

00000298



A	Data plate		C	Gas connection	ISO 7-1 3/4" M
---	------------	--	---	----------------	----------------

Technical data sheet

Product benefits



Cooking range gas with static gas oven GN 2/1 - 4x burner

Model

SAP Code

00000298

1

Massive construction of burners

- high performance and efficiency
- brass burners removable
- eternal flame
- long life
- demountable
 - energy saving (perfect combustion)
 - time saving for food preparation
 - easy maintenance/cleaning

2

Hygienic moldings of the top plate

- absence of sharp corners and edges (potential places where dirt could stick)
- smooth transitions
 - 0

3

Large oven with four rack positions with static cooking

- static baking
- high capacity and variability
- all-stainless design
 - suitable for yeast dishes and desserts
 - long service life
 - easy to clean

4

Degree of protection of the control elements IPX5

- maintenance-free system
- resistance to splash water
- long life
 - savings on service interventions
 - easy cleaning and maintenance of equipment

5

All-stainless steel construction

- the material does not cut
- wear resistance of the material
- long life
 - savings on service interventions
 - easy cleaning and maintenance of equipment

6

Safety element – thermocouple

- safe service for staff
- there is no unnecessary gas leakage
- long life
 - savings on service interventions
 - easier and faster operation

7

Piezoelectric ignition

- instant flame ignition
- there is no unnecessary gas leakage
- long life
 - savings on service interventions
 - easier and faster operation

Technical data sheet

Technical parameters



Cooking range gas with static gas oven GN 2/1 - 4x burner

Model

SAP Code

00000298

1. SAP Code:

00000298

2. Net Width [mm]:

800

3. Net Depth [mm]:

705

4. Net Height [mm]:

900

5. Net Weight [kg]:

125.00

6. Gross Width [mm]:

830

7. Gross depth [mm]:

770

8. Gross Height [mm]:

1110

9. Gross Weight [kg]:

138.00

10. Device type:

Gas unit

11. Construction type of device:

With substructure

12. Power gas [kW]:

29.300

13. Ignition:

Eternal flame

14. Type of gas:

Natural gas, propane butane

15. Protection of controls:

IPX5

16. Material:

Stainless steel

17. Worktop type:

Molded - comfortable cleaning maintenance

18. Worktop material:

AISI 304

19. Worktop Thickness [mm]:

2.00

20. Number of zones:

4

21. Power consumption of the zone 1 [kW]:

7,5

22. Power consumption of the zone 2 [kW]:

5,5

23. Power consumption of the zone 3 [kW]:

5,5

24. Power consumption of the zone 4 [kW]:

3,5

25. Number of power control stages:

6

26. Service accessibility:

From the front by removing the front panel and waste fluid containers

Technical data sheet

Technical parameters



Cooking range gas with static gas oven GN 2/1 - 4x burner

Model

SAP Code

00000298

27. Safety element:

thermocouple safety feature
safety thermostat 360 °C

28. Safety thermocouple:

Yes

29. Safety thermostat:

Yes

30. Safety thermostat up to x ° C:

360

31. Adjustable feet:

Yes

32. Number of burners/hot plates:

4

33. Type of gas cooking zones:

Classic

34. Burner type:

Cast iron, detachable, with internal and external combustion

35. Oven Type:

gas static

36. Oven size:

GN 2/1

37. Oven material:

Stainless steel

38. Type of internal part of the appliance 1 (eg oven):

Gas

39. Type of internal part of the appliance 2 (eg oven):

Static

40. Width of internal part [mm]:

670

41. Depth of internal part [mm]:

550

42. Height of internal part [mm]:

340

43. Maximum temperature of the inner chamber [°C]:

300

44. Minimum temperature of the inner chamber [°C]:

150

45. Inner ignition:

Piezoelectric

46. Number of internal parts:

4