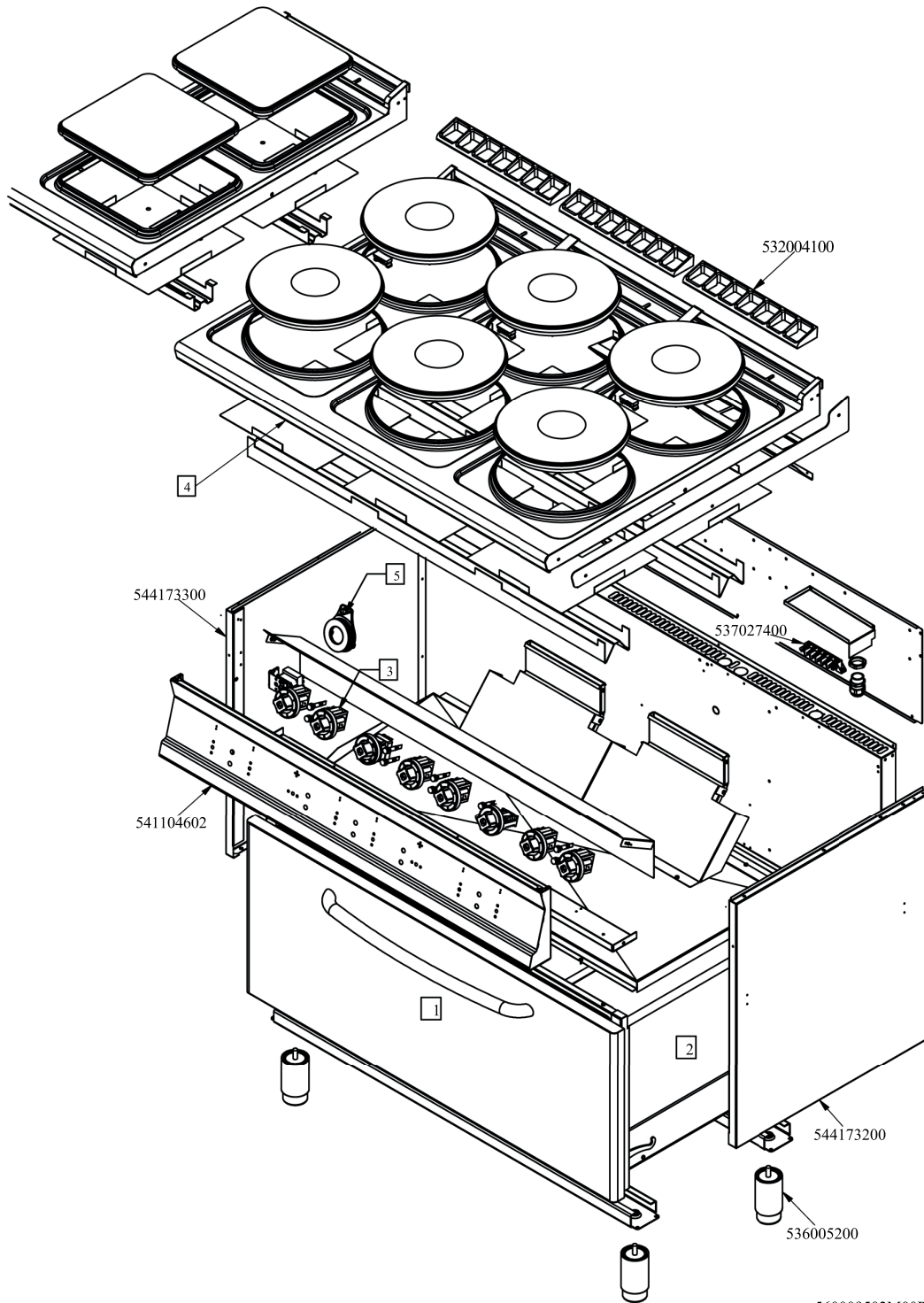
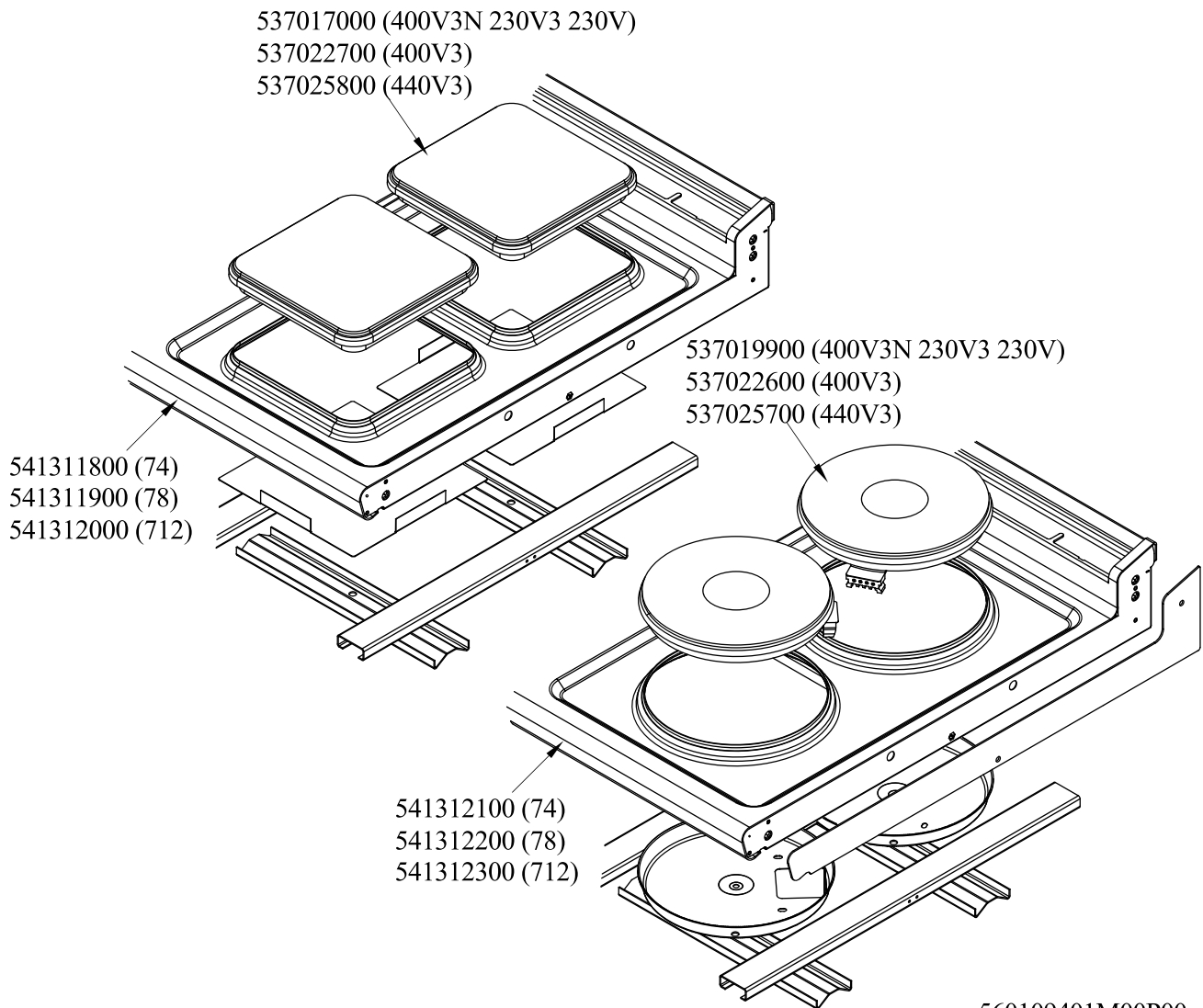


RM 700
Platný od 1.5. 2019
CF6-712ET





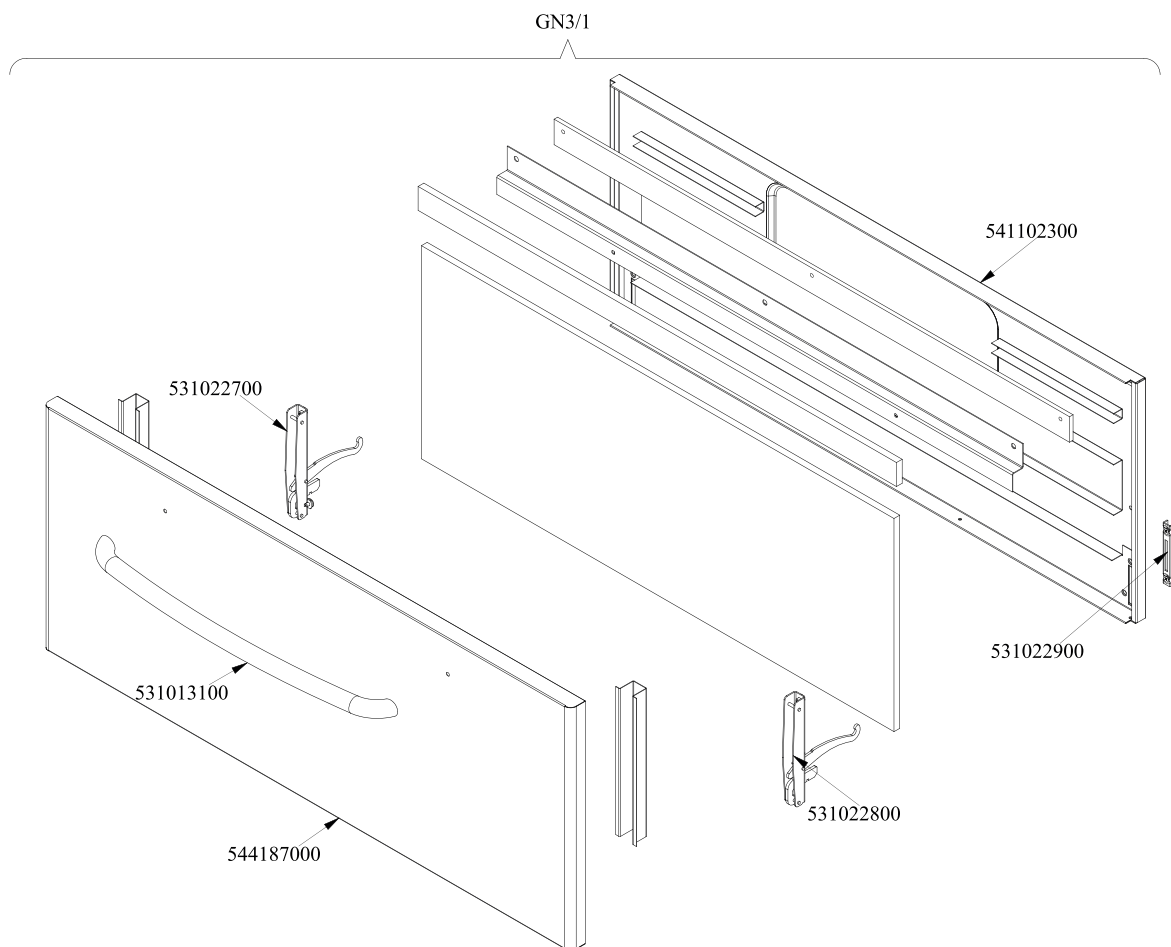
| Objednačí kód | Popis v ENG |
|---------------|-------------------------------|
| 544173200 | RIGHT SIDE PANEL RANGE S.70 |
| 536005200 | INOX LEG 2" 120-180 M10 |
| 541104602 | |
| 544173300 | LEFT SIDE PANEL RANGE S.70 |
| 537027400 | TERMINAL BLOCK THREEPHASE 40A |
| 532004100 | FLUE GRID L=370 90LINE (RAF) |
| - | - |
| - | - |
| - | - |
| - | - |
| - | - |



560109401M00P00



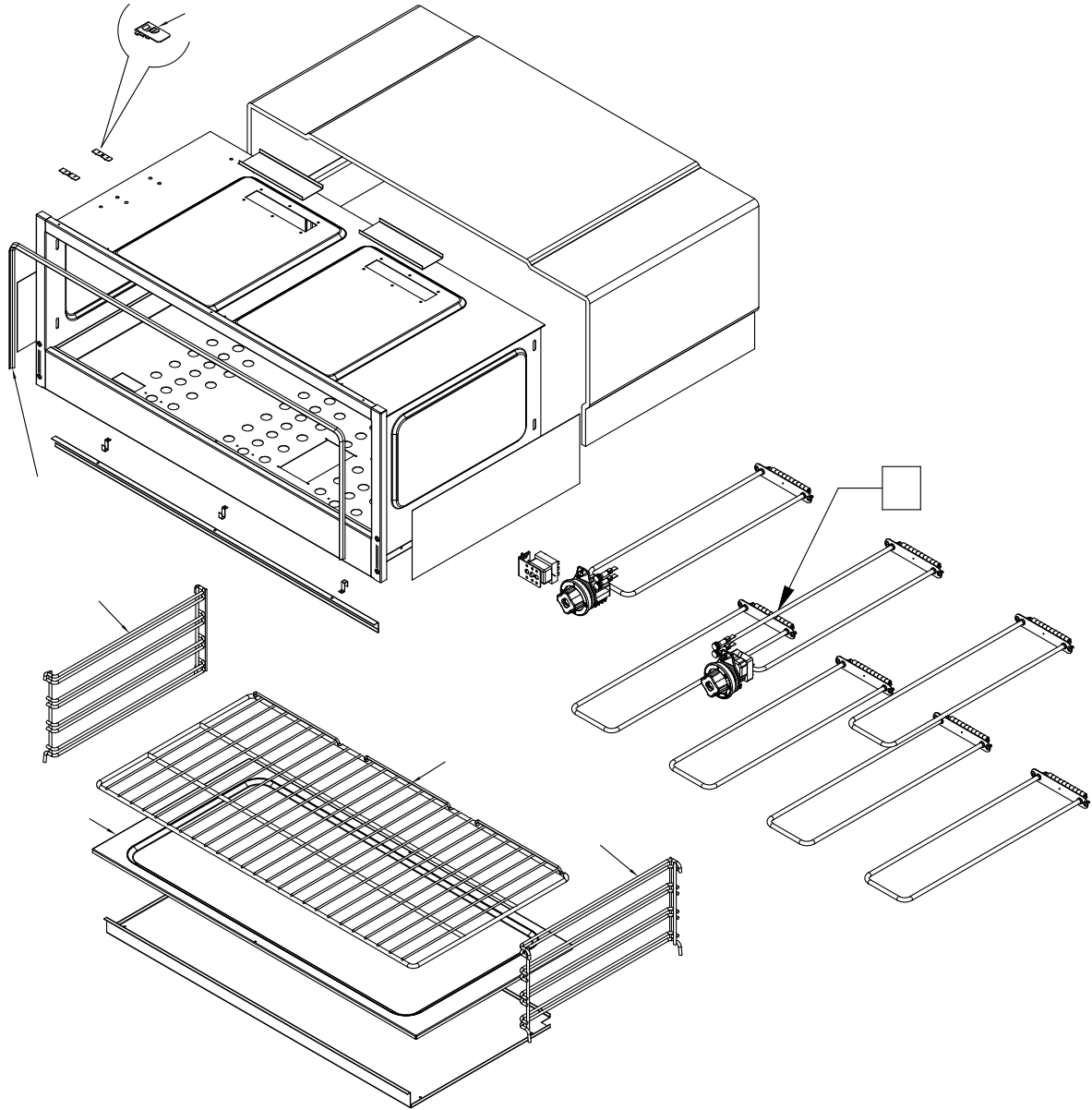
| Objednací kód | Popis v ENG |
|---------------|-------------------------------------|
| 541312100 | |
| 541312200 | |
| 541312300 | |
| 541311800 | |
| 541311900 | |
| 541312000 | |
| 537019900 | PLATE D.220 W2600 V230 |
| 537022600 | ELECTRICAL PLATE D.220 W2600 V400 |
| 537025700 | ELECTRICAL PLATE D.220 W2600 V440 |
| 537017000 | PLATE 220X220 W2600 V230 |
| 537022700 | SQUARE EL. PLATE 220X220 W2600 V400 |
| 537025800 | PLATE 220X220 W2600 V440 |



560099900M01P00

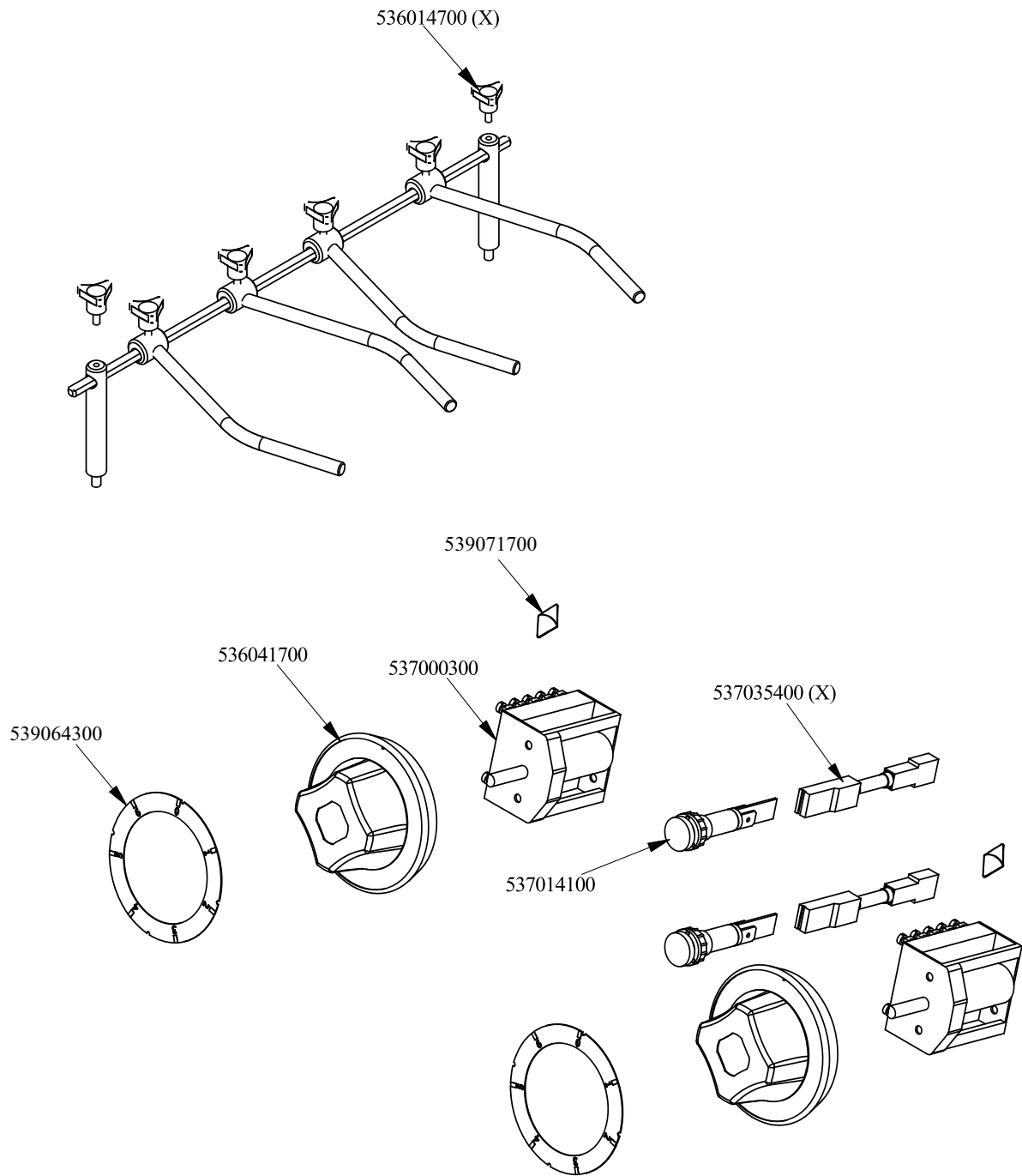


| Objednací kód | Popis v ENG |
|---------------|----------------------------------|
| 541102300 | GAS OVEN INNER DOOR GN 3/1 S.70 |
| 531022800 | 531022800N DOOR HINGE S.70 |
| 531022900 | HINGE ROLLER HOLDER FOR 700-OVEN |
| 531013100 | OVEN DOOR HANDLE OF 70/90-LINE |
| 531022700 | LEFT OVEN DOOR HINGE 70LINE |
| 544187000 | OVEN DOOR GN 3/1 S.70 |





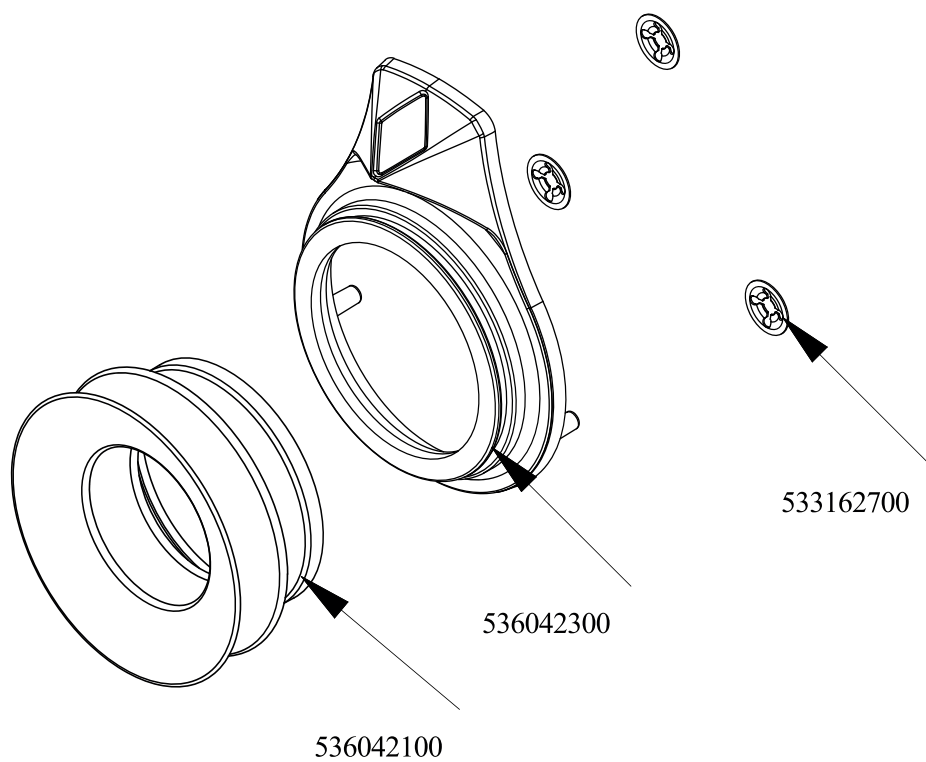
| Objednací kód | Popis v ENG |
|---------------|-------------------------------------|
| 536010900 | GAS OVEN GASKET GN 3/1 (1668) |
| 533037600 | LOCK SPRING FOR BULB |
| 531030300 | OVEN GRID GN 3/1 FOR 70 LINE |
| 531062100 | OVEN GRID GN 3/1 FOR 70 LINE |
| 531030301 | |
| 531062101 | |
| 531030500 | LHD SUPPORT GRID FOR OVEN OF 70LINE |
| 531062300 | LHD SUPPORT GRID FOR OVEN OF 70LINE |
| 531076100 | |
| 531062301 | |
| 531030400 | RHD SUPPORT GRID FOR OVEN OF 70LINE |
| 531062200 | RHD SUPPORT GRID FOR OVEN OF 70LINE |
| 531062201 | |



560018102M00P00



| Objednací kód | Popis v ENG |
|---------------|-------------------------------------|
| 536041700 | SILVER CHROM. KNOB Ø77 4P.G.Ø06X4,6 |
| 539064300 | BLACK ADESIVE DISK FOR PC-E |
| 537000300 | COMMUTATOR 7 POSITIONS S.49 16A |
| 539071700 | ADHES.LABEL FOR RING GREEN SIGN. |
| 537014100 | WHITE WARNING LIGHT 250V |
| 536014700 | 3 DRILL WHEELS |
| 537035400 | HEATING ELEMENT 00003W 330KOHM W/F |



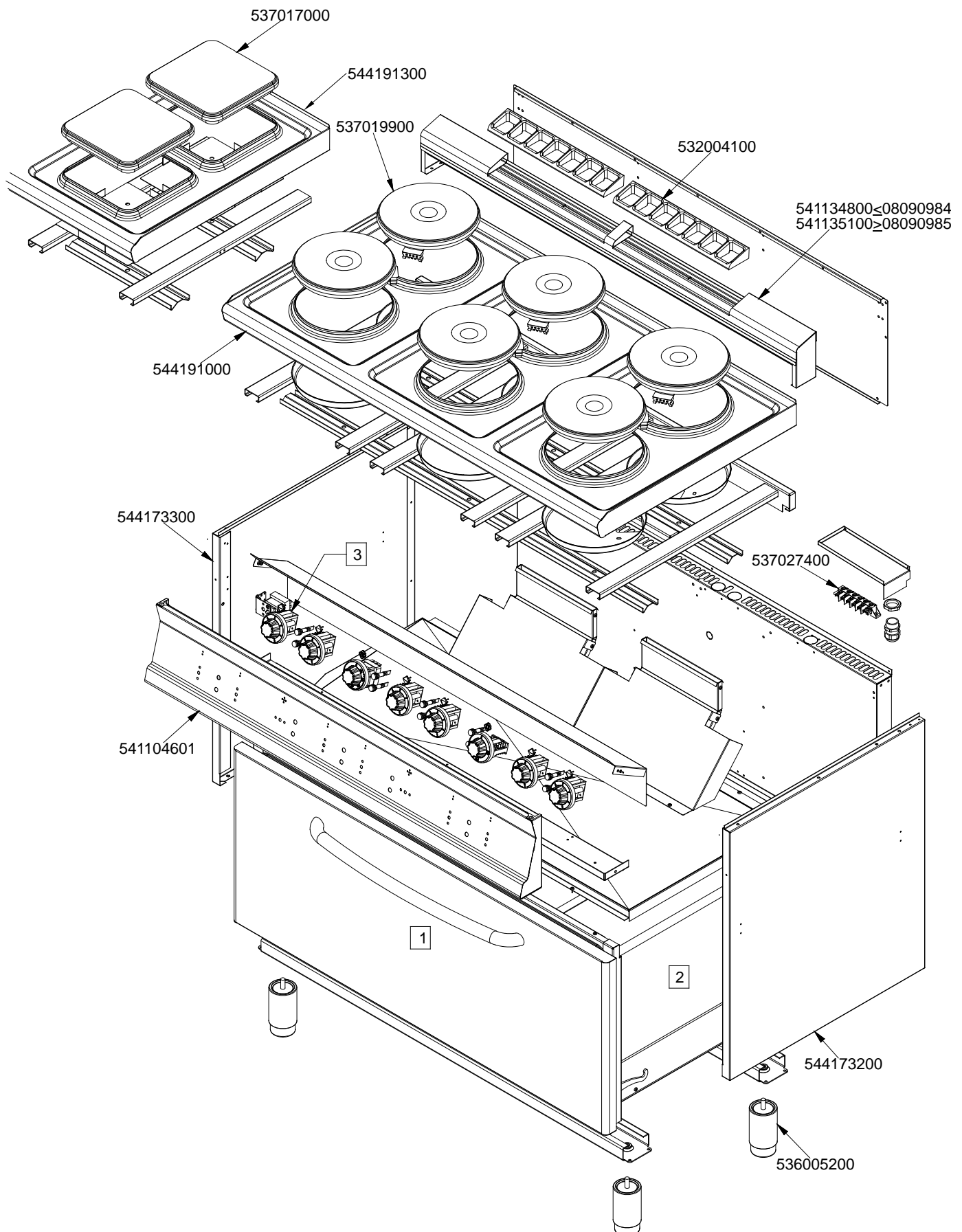
560125700M00P00



| Objednačí kód | Popis v ENG |
|---------------|-------------------------------------|
| 536042300 | SILVER CHROM. RING FOR KNOB Ø77 4 P |
| 536042100 | SEAL CASING FOR KNOB Ø77 4 P |
| 533162700 | PROCESSING CODE |



CF6 - 712 ET, CFQ6 - 712 ET
 Platnost 1.5.2016 do 30.4.2019





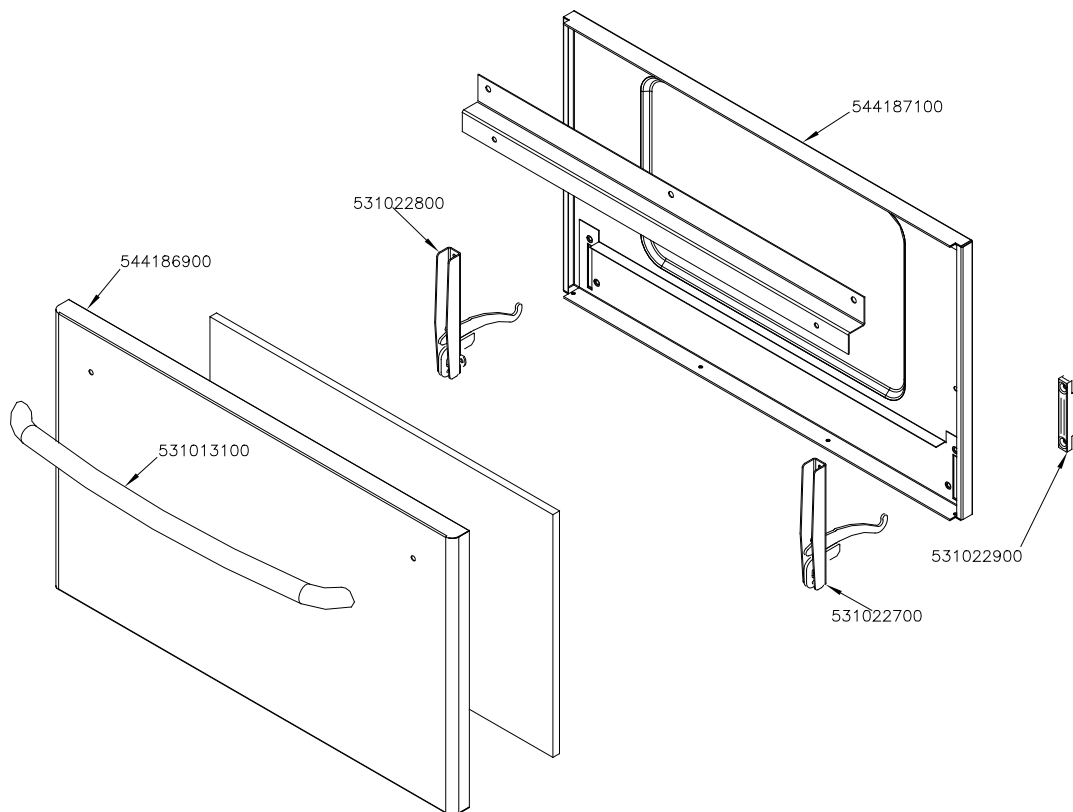
CF6 - 712 ET, CFQ6 - 712 ET

(1)

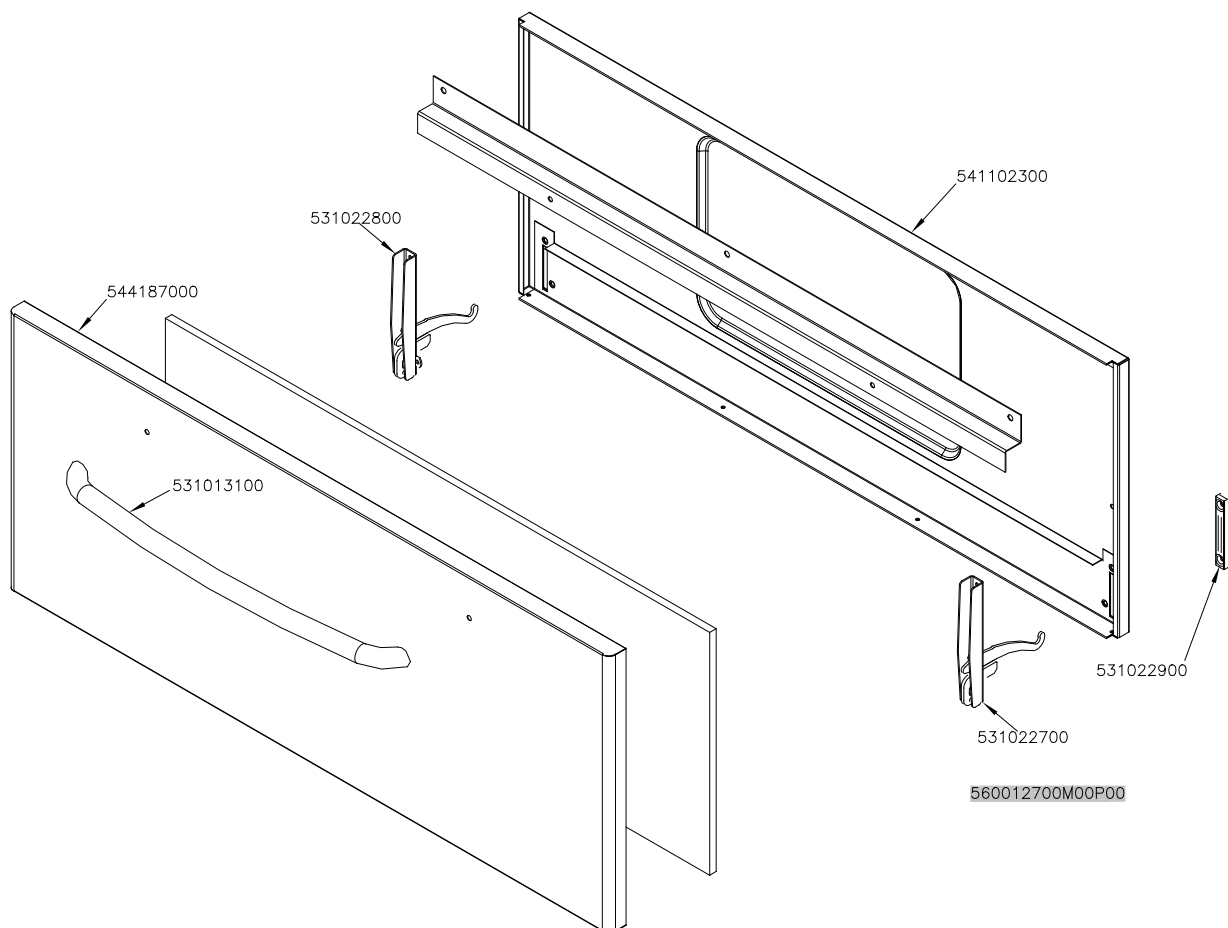
Platnost 1.5.2016 do

30.4.2019

GN 2/1



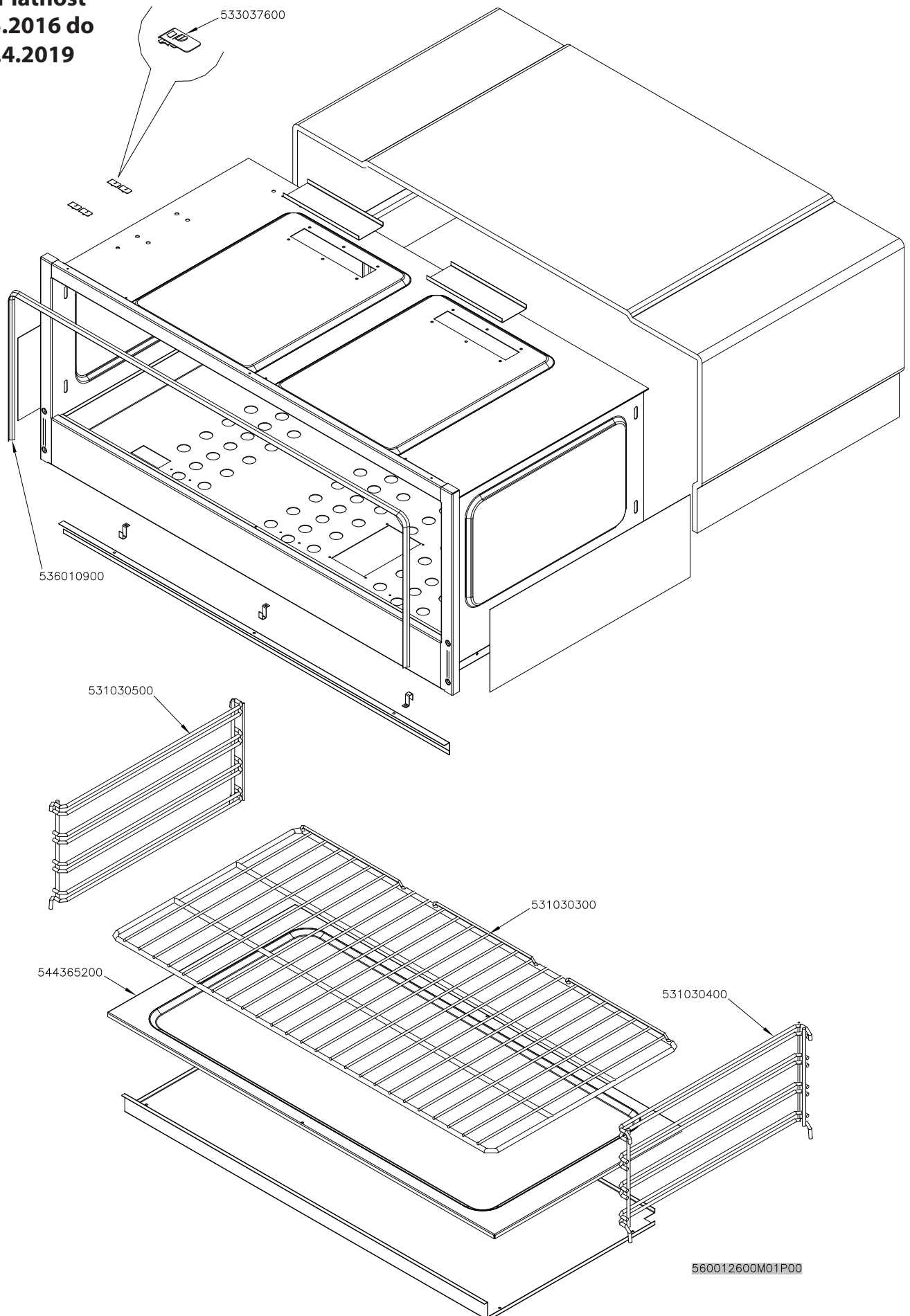
GN 3/1





CF6 - 712 ET, CFQ6 - 712 ET

(2)Platnost
1.5.2016 do
30.4.2019



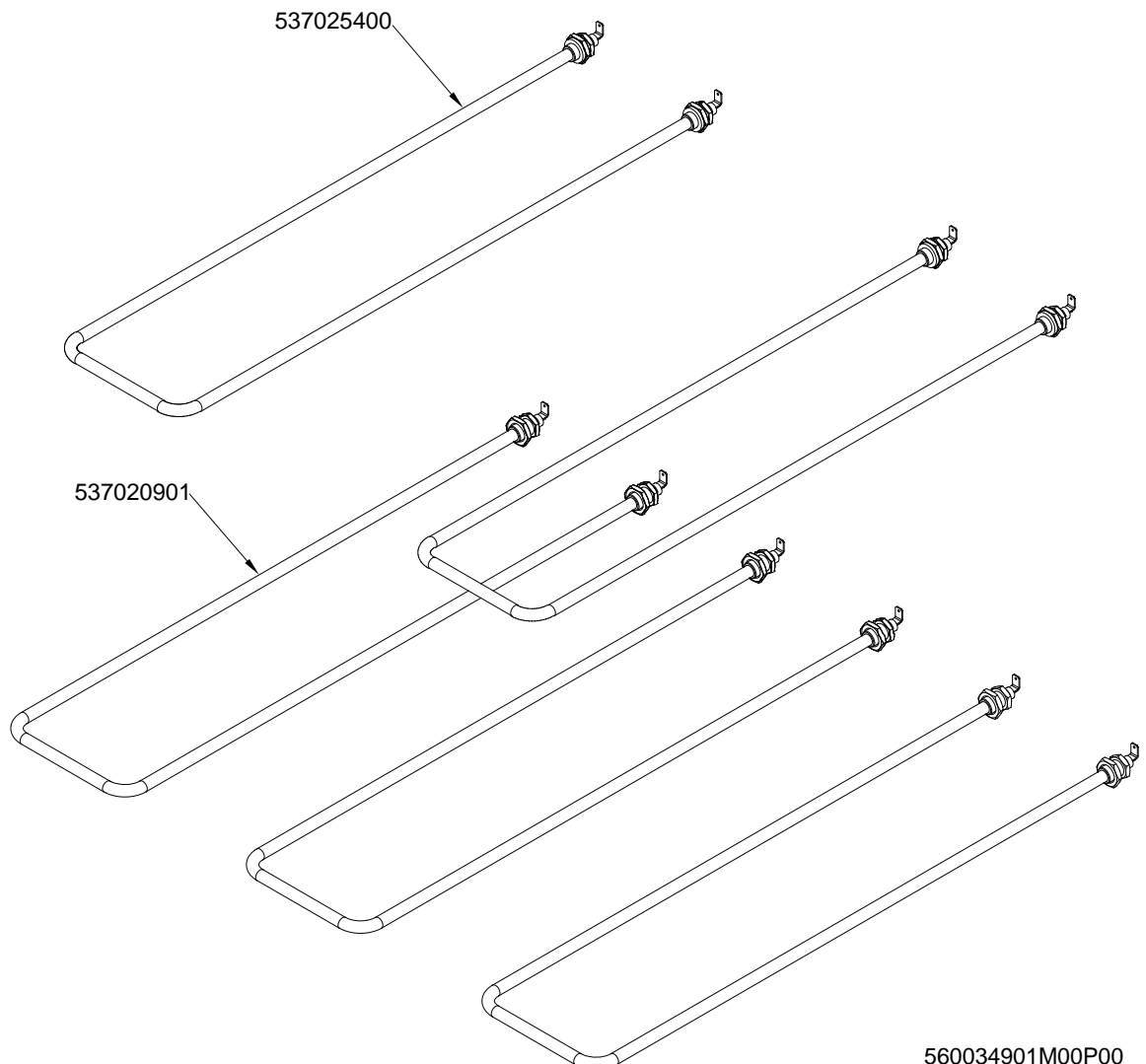
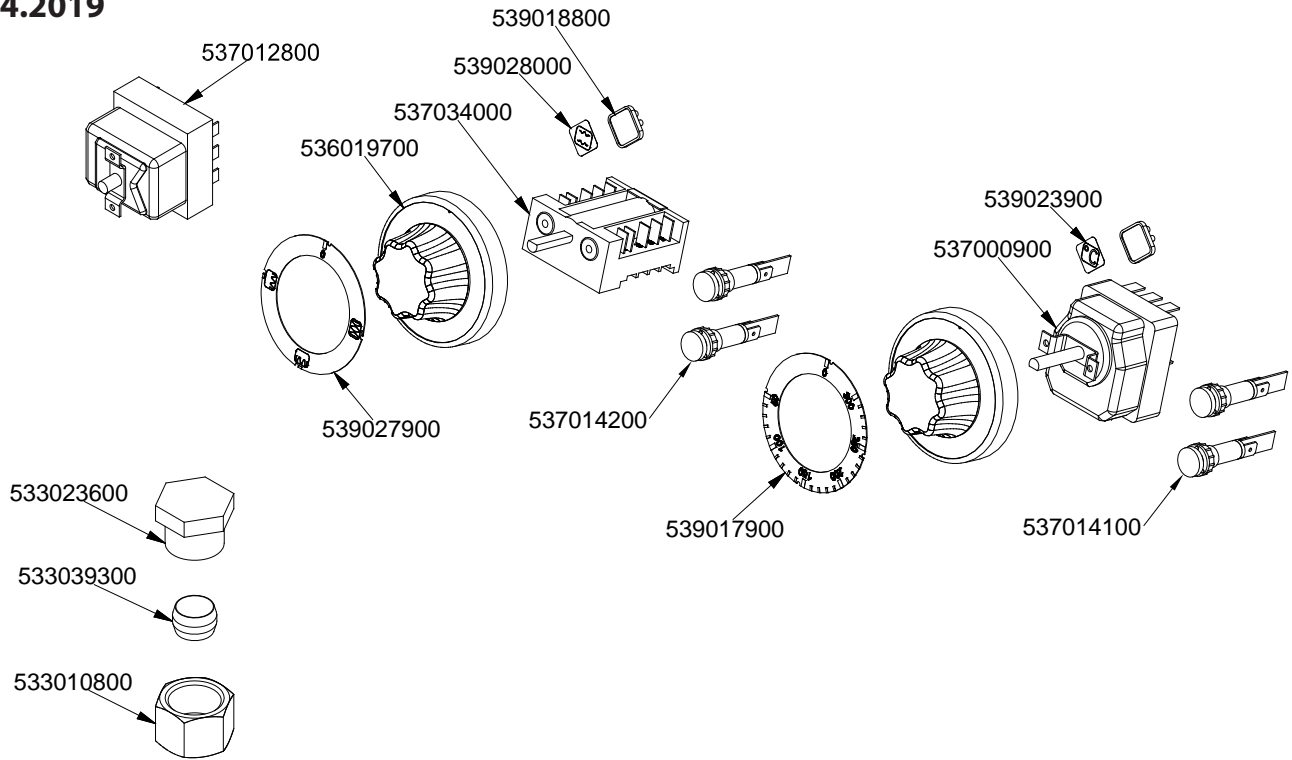


CF6 - 712 ET, CFQ6 - 712 ET

(3)

Platnost 1.5.2016 do

30.4.2019



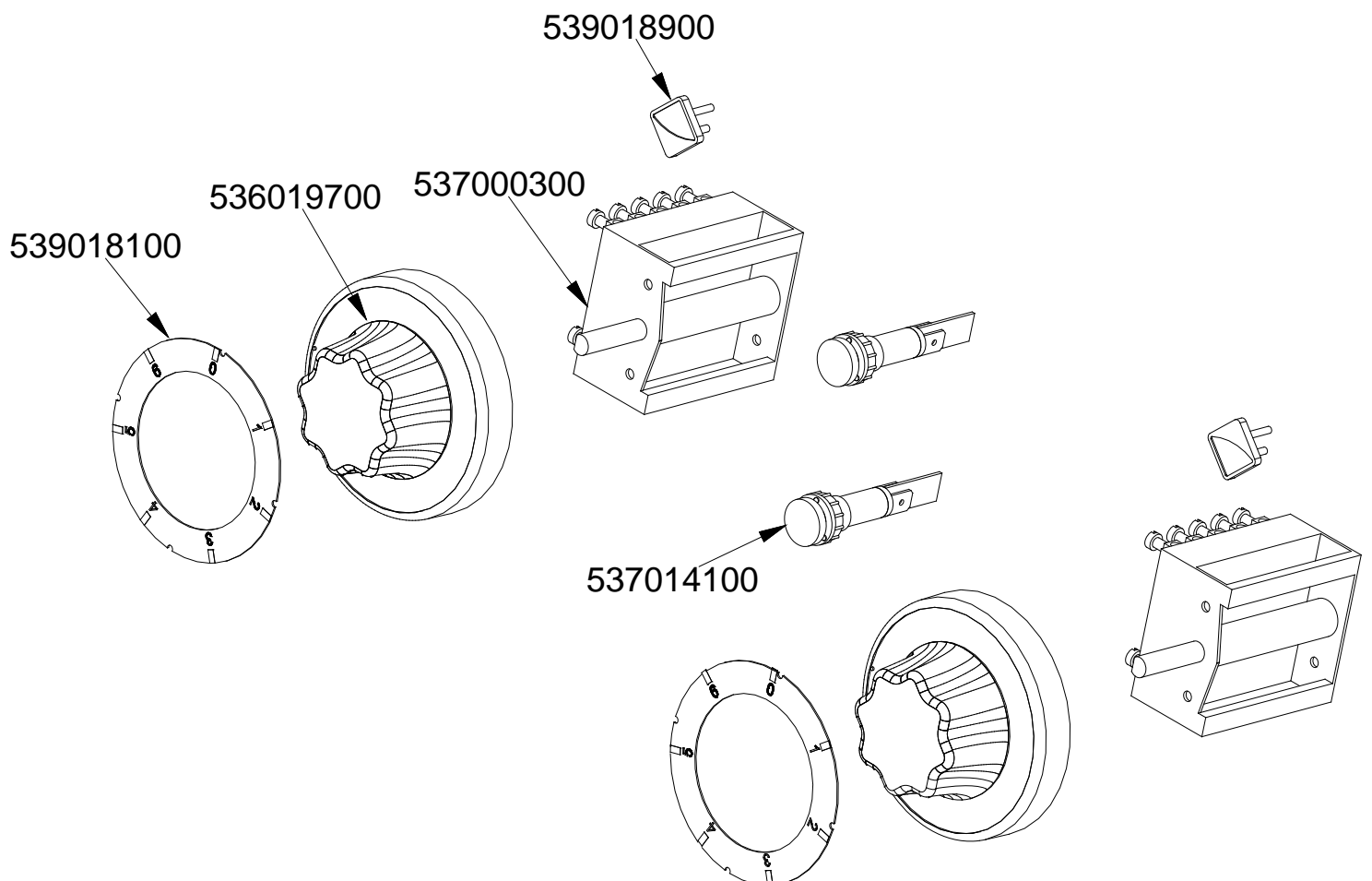


CF6 - 712 ETV, CFQ6 - 712 ETV

(3)

Platnost 1.5.2016 do

30.4.2019



560018101M00P00