

# Technical data sheet



## Product features

### Lava stone grill

<b>Model</b>	<b>SAP Code</b>	00001170
--------------	-----------------	----------



- Grid size [mm x mm]: 312 x 483
- Container for liquid fat: Yes
- Independent heating zones: Separate control for each heating zone
- Removable rim: No
- Removable grid: Yes
- Ignition: Piezo

<b>SAP Code</b>	00001170	<b>Net Weight [kg]</b>	50.00
<b>Net Width [mm]</b>	658	<b>Power gas [kW]</b>	8.000
<b>Net Depth [mm]</b>	609	<b>Type of gas</b>	Natural gas, propane butane
<b>Net Height [mm]</b>	290	<b>Grid size [mm x mm]</b>	312 x 483

# Technical data sheet



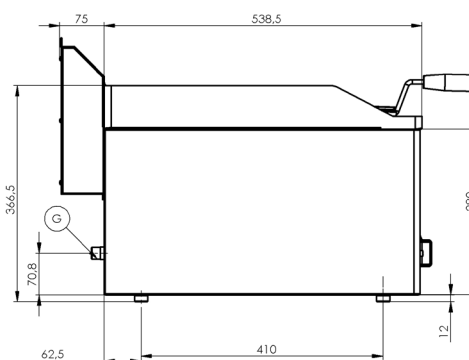
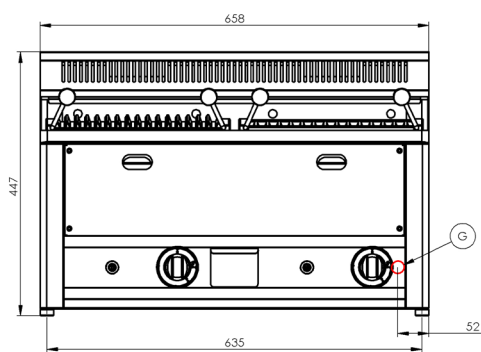
Technical drawing

Lava stone grill

Model

SAP Code

00001170



# Technical data sheet



## Technical parameters

### Lava stone grill

Model

SAP Code

00001170

**1. SAP Code:**

00001170

**2. Article group:**

RF-Line 600

**3. Net Width [mm]:**

658

**4. Net Depth [mm]:**

609

**5. Net Height [mm]:**

290

**6. Net Weight [kg]:**

50.00

**7. Gross Width [mm]:**

725

**8. Gross depth [mm]:**

710

**9. Gross Height [mm]:**

450

**10. Gross Weight [kg]:**

56.00

**11. Device type:**

Gas unit

**12. Construction type of device:**

Table top

**13. Power gas [kW]:**

8.000

**14. Ignition:**

Piezo

**15. Type of gas:**

Natural gas, propane butane

**16. Protection of controls:**

IPX4

**17. Device color:**

Stainless steel

**18. Grid material:**

Stainless steel

**19. Safety thermocouple:**

Yes

**20. Container for liquid fat:**

Yes

**21. Independent heating zones:**

Separate control for each heating zone

**22. Removable rim:**

No

**23. Removable grid:**

Yes

**24. Grid size [mm x mm]:**

312 x 483

**25. Removable burner:**

Yes