

Technical data sheet

Product features



Tilting bratt pan manual gas 50 l steel compound bottom

Model	SAP Code	00000114
--------------	-----------------	----------



- Bottom material: Steel - suitable for frying
- Bottom thickness: 12.00
- Basin volume [l]: 50
- Usable volume [l]: 50
- Ignition: Piezo+večný plamen
- Tilting: Manual
- Filling: Mechanical cock
- Type of pan: Tilting
- Basin shape: Practically shaped bathtub spout to minimize spillage
- Protection of controls: IPX4
- Basin dimensions [mm x mm x mm]: 720 x 465 x 200
- Service accessibility: Trough the frontal panel

SAP Code	00000114	Type of gas	Natural gas, propane butane
Net Width [mm]	800	Bottom material	Steel - suitable for frying
Net Depth [mm]	700	Basin volume [l]	50
Net Height [mm]	900	Usable volume [l]	50
Net Weight [kg]	127.00	Tilting	Manual
Power gas [kW]	12.000		

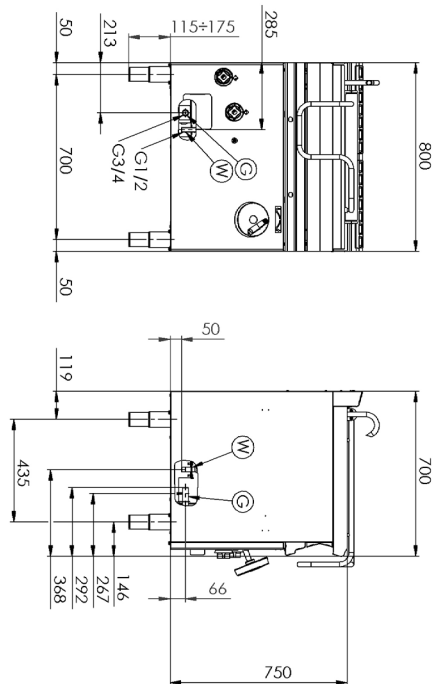
Technical data sheet

Technical drawing



Tilting bratt pan manual gas 50 l steel compound bottom

Model	SAP Code	00000114
--------------	-----------------	----------



Technical data sheet

Product benefits



Tilting bratt pan manual gas 50 l steel compound bottom

Model

SAP Code

00000114

1

Safety element – thermocouple

safe service for staff
there is no unnecessary gas leakage
long life

- savings on service interventions
- easier and faster operation

2

Manual folding system

maintenance-free system
resistance to splash water
long life

- savings on service interventions
- easy cleaning and maintenance of equipment

3

Degree of protection of the control elements IPX4

maintenance-free system
resistance to splash water
long life

- savings on service interventions
- easy cleaning and maintenance of equipment

4

Tubular burners

burner made of stainless steel tube with a single inlet nozzle

- effective adjustment of different flame heights in different parts of the burner
- uniform heating of the bottom

5

Steel bottom

hot water steel bottom

- even heat distribution
- high durability
- long service life
- suitable for frying and toasting

Technical data sheet

Technical parameters



Tilting bratt pan manual gas 50 l steel compound bottom

Model

SAP Code

00000114

1. SAP Code:

00000114

2. Net Width [mm]:

800

3. Net Depth [mm]:

700

4. Net Height [mm]:

900

5. Net Weight [kg]:

127.00

6. Gross Width [mm]:

770

7. Gross depth [mm]:

840

8. Gross Height [mm]:

1200

9. Gross Weight [kg]:

135.00

10. Device type:

Gas unit

11. Construction type of device:

With substructure

12. Power gas [kW]:

12.000

13. Ignition:

Piezo+večný plamen

27. Service accessibility:

Trough the frontal panel

14. Type of gas:

Natural gas, propane butane

15. Protection of controls:

IPX4

16. Material:

AISI 304 top plate and cladding

17. Indicators:

operation and warm-up

18. Worktop type:

Molded - comfortable cleaning maintenance

19. Worktop material:

AISI 304

20. Worktop Thickness [mm]:

2.00

21. Surface finish:

sandblasted surface without coating

22. Device heating type:

Direct

23. Basin volume [l]:

50

24. Basin dimensions [mm x mm x mm]:

720 x 465 x 200

25. Maximum device temperature [°C]:

300

26. Minimum device temperature [°C]:

50

34. Bottom material:

Steel - suitable for frying

Technical data sheet

Technical parameters



Tilting bratt pan manual gas 50 l steel compound bottom

Model

SAP Code

00000114

28. Safety element:

the safety switch prevents the heating from being switched on if the bathtub is not lowered to the basic position
safety element – thermocouple

29. Safety thermocouple:

Yes

30. Adjustable feet:

Yes

31. Additional information:

stainless steel hinged lid

32. Tilting:

Manual

33. Bottom thickness:

12.00

35. Type of pan:

Tilting

36. Usable volume [l]:

50

37. Filling:

Mechanical cock

38. Basin shape:

Practically shaped bathtub spout to minimize spillage

39. Water filling type:

Cold