

Technical data sheet

Product features



Cooking range glass ceramic electric with static electric oven GN 2/1 - 4x plate 400 V

Model	SAP Code	00005929
--------------	-----------------	----------



- Device type: Electric unit
- Power consumption of the zone 1 [kW]: 3,4
- Power consumption of the zone 2 [kW]: 3,4
- Power consumption of the zone 3 [kW]: 3,4
- Power consumption of the zone 4 [kW]: 3,4
- Type of internal part of the appliance 1 (eg oven): Electric
- Type of internal part of the appliance 2 (eg oven): Static
- Protection of controls: IPX5
- Material: AISI 304

SAP Code	00005929	Power consumption of the zone 2 [kW]	3,4
Net Width [mm]	800	Power consumption of the zone 3 [kW]	3,4
Net Depth [mm]	900	Power consumption of the zone 4 [kW]	3,4
Net Height [mm]	900	Type of internal part of the appliance 1 (eg oven)	Electric
Net Weight [kg]	114.00	Type of internal part of the appliance 2 (eg oven)	Static
Power electric [kW]	20.300	Width of internal part [mm]	680
Loading	400 V / 3N - 50 Hz	Depth of internal part [mm]	730
Number of zones	4	Height of internal part [mm]	340
Power consumption of the zone 1 [kW]	3,4		

Technical data sheet

Technical drawing

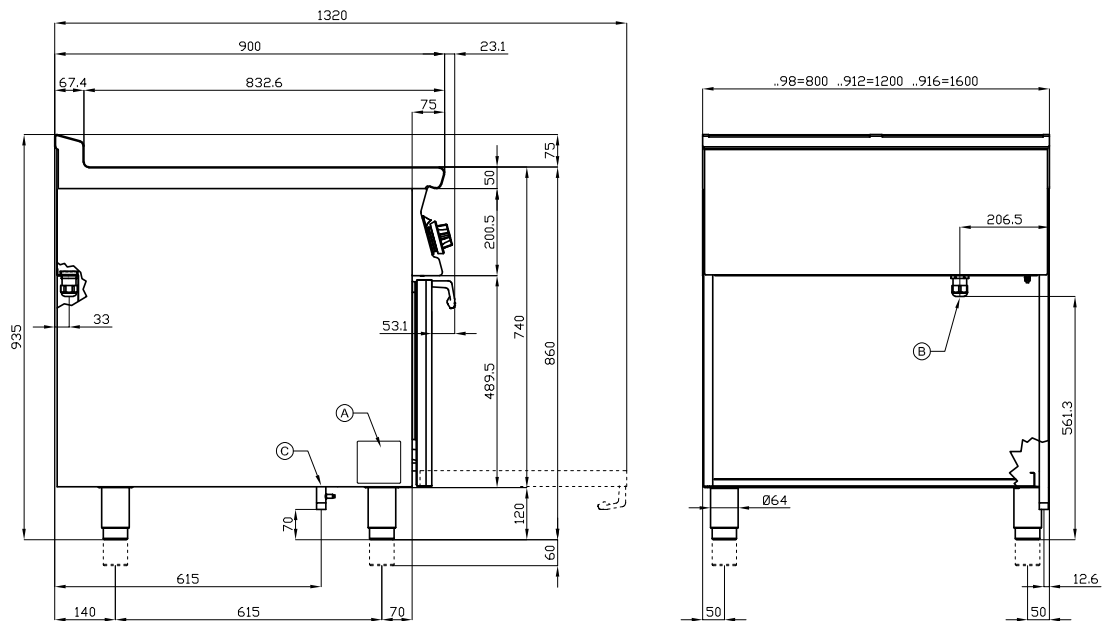


Cooking range glass ceramic electric with static electric oven GN 2/1 - 4x plate 400 V

Model

SAP Code

00005929



A	Data plate	B	Electrical connection
---	------------	---	-----------------------

Technical data sheet

Product benefits



Cooking range glass ceramic electric with static electric oven GN 2/1 - 4x plate 400 V

Model

SAP Code

00005929

1

Glass ceramic surface

quick warm-up
uniform heating and residual heat indicator

- saving time in food preparation
- no reheating and long cooking times
- material does not rust

2

Internal thermostatic plate protection

longer service life of the plates

- no overheating of the plates and no cracking

3

Degree of protection of the control elements IPX5

maintenance-free system
resistance to splash water
long life

- savings on service interventions
- easy cleaning and maintenance of equipment

4

All-stainless design

the material does not cut
wear resistance of the material
long life

- savings on service interventions
- easy cleaning and maintenance of equipment

5

Hygienic moldings of the top plate

absence of sharp corners and edges (potential places where dirt could stick)
smooth transitions

- easy quick cleaning

6

Large electric oven with four positions for racks with static cooking

possibility of baking
high capacity and variability
all-stainless design

- suitable for yeast dishes and desserts
- long service life
- easy to clean

Technical data sheet

Technical parameters



Cooking range glass ceramic electric with static electric oven GN 2/1 - 4x plate 400 V

Model

SAP Code

00005929

1. SAP Code:

00005929

2. Net Width [mm]:

800

3. Net Depth [mm]:

900

4. Net Height [mm]:

900

5. Net Weight [kg]:

114.00

6. Gross Width [mm]:

830

7. Gross depth [mm]:

970

8. Gross Height [mm]:

1110

9. Gross Weight [kg]:

130.00

10. Device type:

Electric unit

11. Construction type of device:

With substructure

12. Power electric [kW]:

20.300

13. Loading:

400 V / 3N - 50 Hz

14. Protection of controls:

IPX5

15. Device color:

Stainless steel

16. Material:

AISI 304

17. Worktop type:

Molded - comfortable cleaning maintenance

18. Worktop material:

Glass ceramics

19. Worktop Thickness [mm]:

2.00

20. Device heating type:

Static baking

21. Number of zones:

4

22. Power consumption of the zone 1 [kW]:

3,4

23. Power consumption of the zone 2 [kW]:

3,4

24. Power consumption of the zone 3 [kW]:

3,4

25. Power consumption of the zone 4 [kW]:

3,4

26. Maximum device temperature [°C]:

300

27. Minimum device temperature [°C]:

50

28. Number of power control stages:

6

Technical data sheet

Technical parameters



Cooking range glass ceramic electric with static electric oven GN 2/1 - 4x plate 400 V

Model

SAP Code

00005929

29. Service accessibility:

From the front by removing the front panel and waste fluid containers

30. Safety thermostat:

Yes

31. Safety thermostat up to x ° C:

360

32. Adjustable feet:

Yes

33. Number of burners/hot plates:

4

34. Type of electric cooking zones:

Glass ceramic

35. Oven Type:

electrical static

36. Oven size:

GN 2/1

37. Oven material:

Stainless steel

38. Type of internal part of the appliance 1 (eg oven):

Electric

39. Type of internal part of the appliance 2 (eg oven):

Static

40. Width of internal part [mm]:

680

41. Depth of internal part [mm]:

730

42. Height of internal part [mm]:

340

43. Gasket:

Yes

44. Maximum temperature of the inner chamber [°C]:

300

45. Minimum temperature of the inner chamber [°C]:

50

46. Number of internal parts:

4