

Technical data sheet

Product features



Gas fryer 2x 17l on cabinet

Model	SAP Code	00019409
--------------	-----------------	----------



- Basin volume [l]: 2 x 17
- Drain type: Trough the cabinet
- Maximum device temperature [°C]: 190
- Minimum device temperature [°C]: 50
- Material: AISI 304 top plate and cladding
- Heating location: Inside the tank
- Ignition: Piezo
- Number of baskets: 2
- Basket dimensions [mm x mm x mm]: 280 x 300 x 120

SAP Code	00019409	Type of gas	Natural gas, propane butane
Net Width [mm]	800	Basin volume [l]	2 x 17
Net Depth [mm]	730	Number of basins	2
Net Height [mm]	900	Number of baskets	2
Net Weight [kg]	78.00	Basket dimensions [mm x mm x mm]	280 x 300 x 120
Power gas [kW]	28.000	Ratio power/volume [kW/l]	0.80

Technical data sheet

Technical drawing

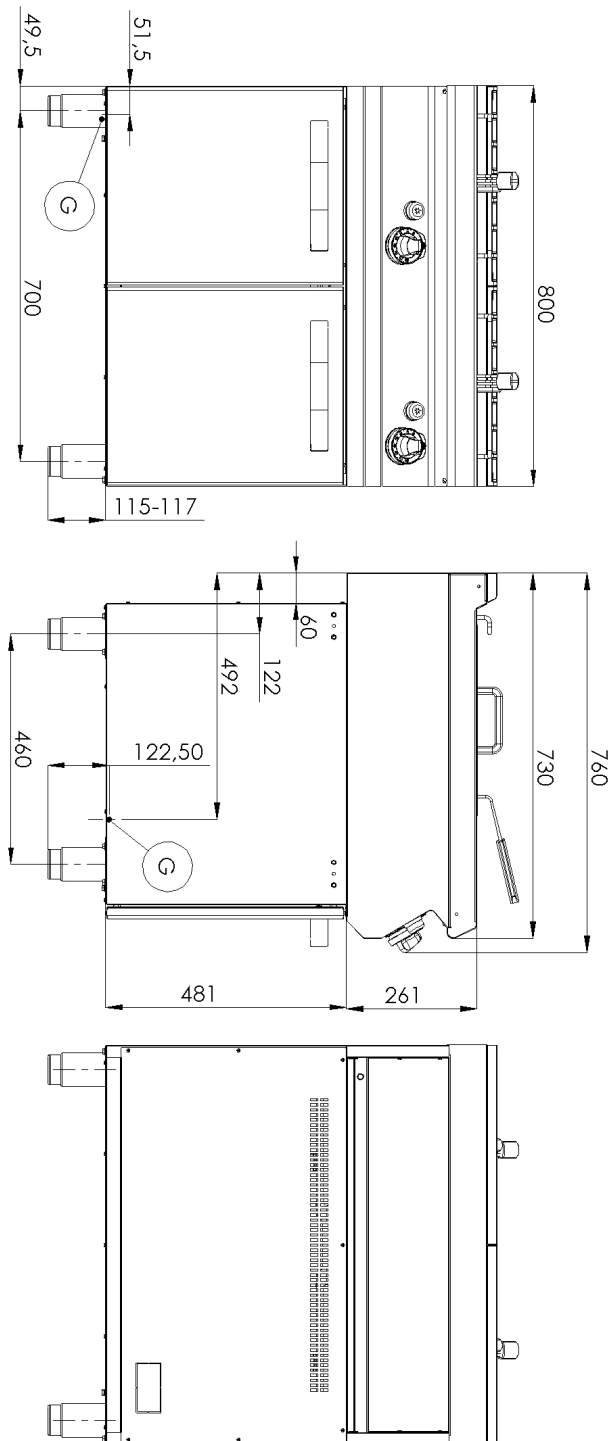


Gas fryer 2x 17l on cabinet

Model

SAP Code

00019409



Technical data sheet

Technical parameters



Gas fryer 2x 17l on cabinet

Model

SAP Code

00019409

1. SAP Code:

00019409

2. Article group:

Fryers

3. Net Width [mm]:

800

4. Net Depth [mm]:

730

5. Net Height [mm]:

900

6. Net Weight [kg]:

78.00

7. Gross Width [mm]:

840

8. Gross depth [mm]:

800

9. Gross Height [mm]:

1080

10. Gross Weight [kg]:

92.00

11. Device type:

Gas unit

12. Construction type of device:

With substructure

13. Power gas [kW]:

28.000

14. Ignition:

Piezo

15. Type of gas:

Natural gas, propane butane

16. Protection of controls:

IPX4

17. Device color:

Stainless steel

18. Material:

AISI 304 top plate and cladding

19. Worktop type:

Molded - comfortable cleaning maintenance

20. Worktop material:

AISI 304

21. Worktop Thickness [mm]:

1.50

22. Device heating type:

Direct

23. Standard equipment for device:

lid and basket

24. Basin volume [l]:

2 x 17

25. Basin dimensions [mm x mm x mm]:

306 x 340 x 300

26. Maximum device temperature [°C]:

190

27. Minimum device temperature [°C]:

50

28. Service accessibility:

Trough the frontal panel

Technical data sheet

Technical parameters



Gas fryer 2x 17l on cabinet

Model

SAP Code

00019409

29. Safety thermostat:

Yes

30. Safety thermostat up to x ° C:

235

31. Adjustable feet:

Yes

32. Heating element material:

Stainless steel

33. Number of baskets:

2

34. Number of basins:

2

35. Basket dimensions [mm x mm x mm]:

280 x 300 x 120

36. Basin material:

AISI 304 - High quality stainless steel

37. Ratio power/volume [kW/l]:

0.80

38. Drain type:

Trough the cabinet

39. Heating location:

Inside the tank