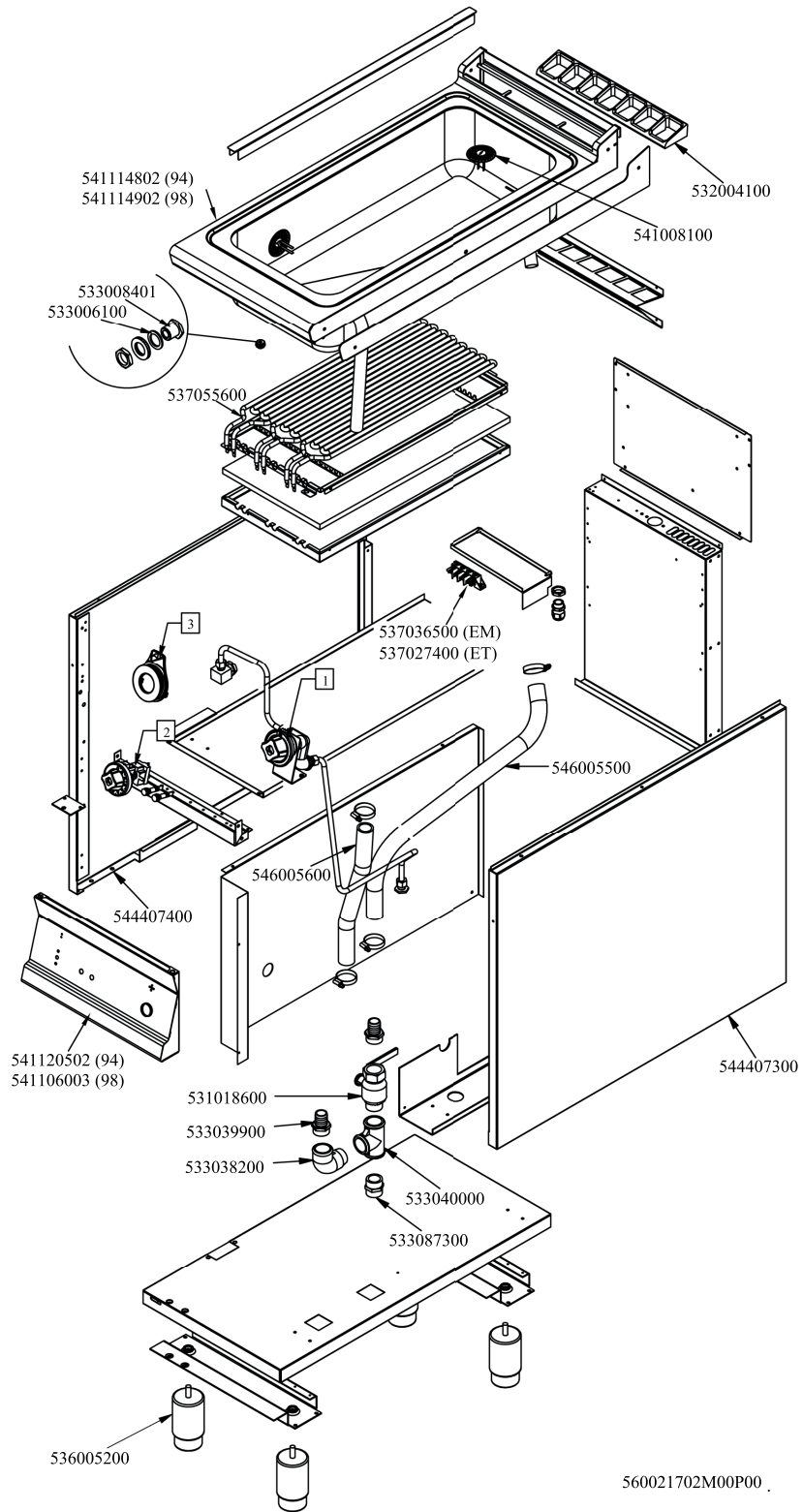
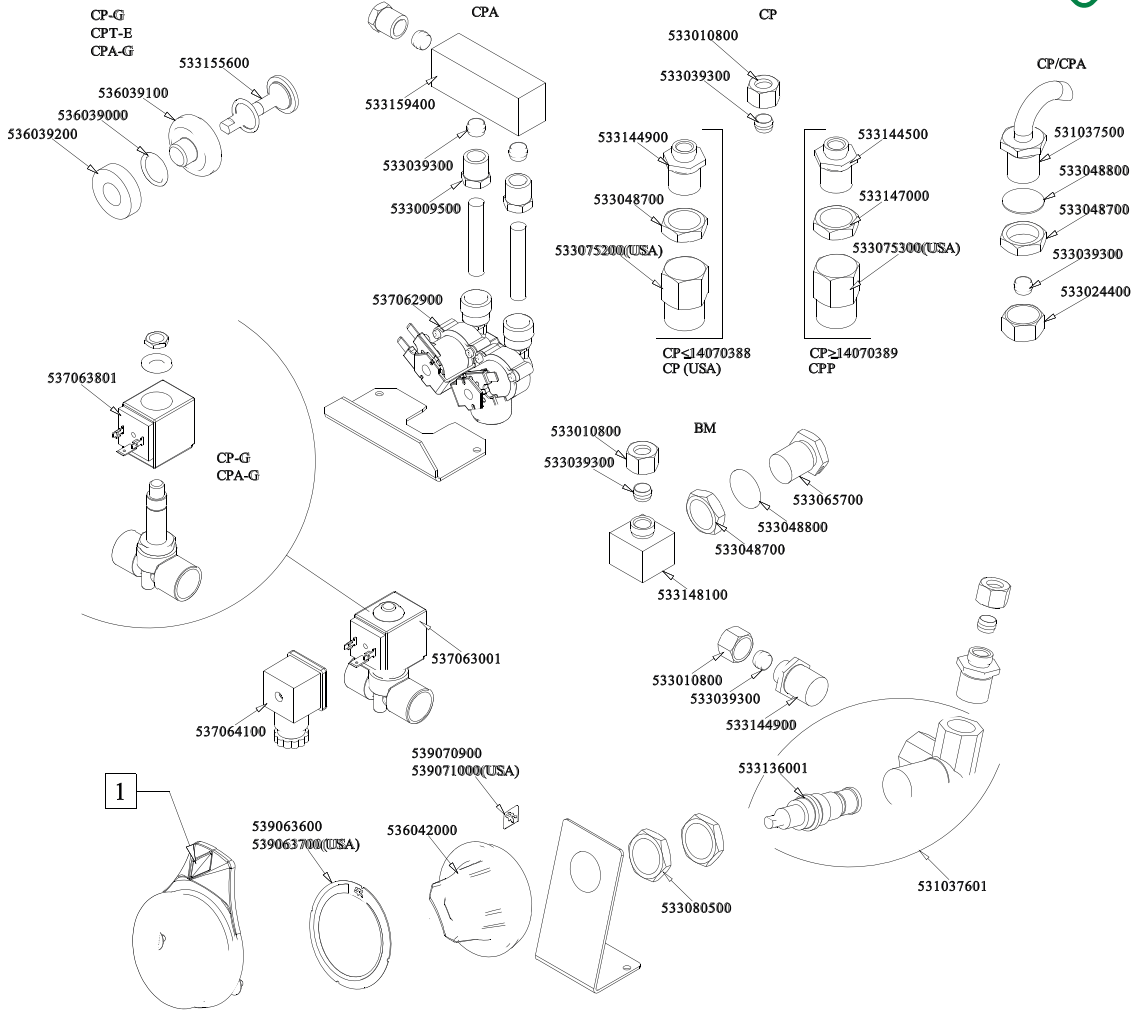


RM 900
 Platný od 1.5. 2019
 BM-94EM, BM-98ET

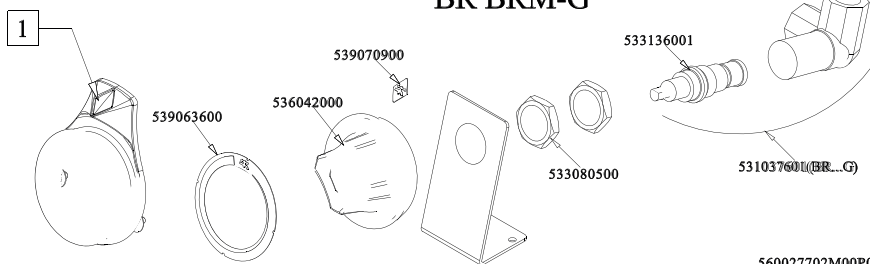




Objednací kód	Popis v ENG
537036500	TERMINAL BLOCK 4POLES 40A SCREW-SCR
546005600	RUBBER TUBE §25INT.*§33EXT.XL=420
546005500	RUBBER TUBE §25INT.*§33EXT.XL=660
544407300	RIGHT SIDE PANEL 90 LINE
544407400	LEFT SIDE PANEL 70 LINE
541120502	
541114802	
541008100	DRAIN FILTER TANK CP 700LINE
531018600	BALL VALVE 1"G M-F CPM-62G
533087300	HEXAGONAL BICONE 1G
533040000	1"G F-F-F "T" FITTING
533038200	1" G M-F ELBOW FITTING
533039900	PIPE HOLDER 1" G M D.24
532004100	FLUE GRID L=370 90LINE (RAF)
537055600	
533008401	
533006100	GASKET D.20
536005200	INOX LEG 2" 120-180 M10
-	-
-	-
-	-



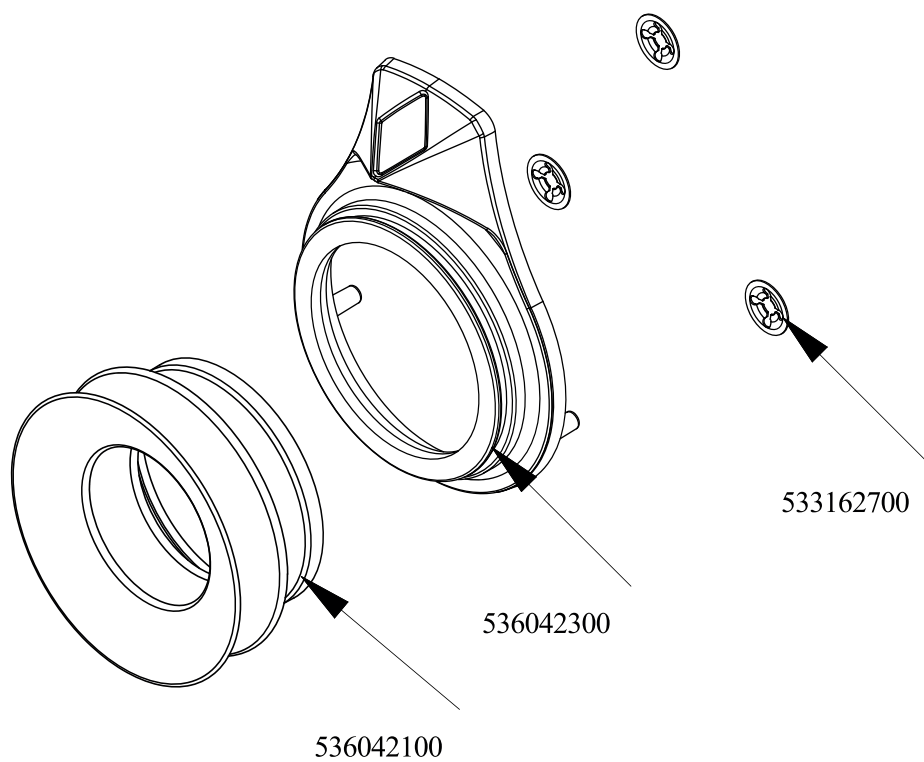
BR BRM-G



560027702M00P00



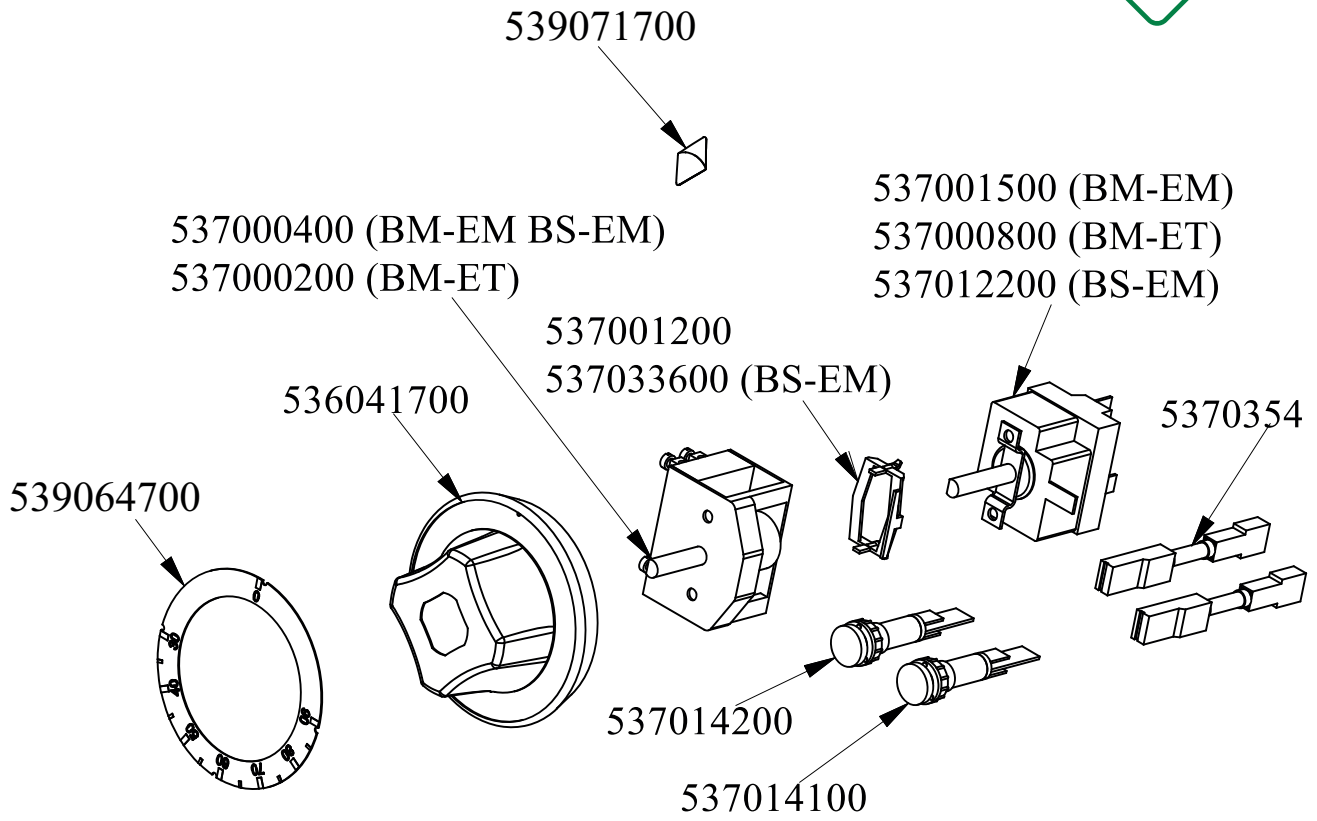
Objednací kód	Popis v ENG
536042000	SILVER CHROM. KNOB Ø77 4P.G.Ø8SX6,5
533136001	SCREW TAP WATER LOAD FOR CP S70/90
531037601	TAP FOR WATER 90°DX CP
539063600	ADHESIVE DISK 72 FOR DRAIN COCK
539070900	ADHES.LABEL FOR RING WATER TAP
531037601	TAP FOR WATER 90°DX CP
533010800	TUBE NUT D.10 M16*1,5
533039300	BICONE §10
533144900	MALE FITTING WATER INLET M16X1,5
539071000	PROCESSING CODE
539063700	ADHESIVE DISK 72 FOR DRAIN COCK USA
533048700	NUT 1/2G ZN
533075200	PROCESSING CODE
533147000	BICONE FITTING 3/4G ZN
533144500	FITTING FOR WATER INPUT 3/4G
533075300	PROCESSING CODE
533080500	PROCESSING CODE
533148100	
533048800	GASKET §30*§21*2 FIBRE
533065700	FITTING FOR WATER INPUT 1/2G
531037500	PROCESSING CODE
533024400	HEXAGONAL NUT 1/2G TUBE D.10
537062900	ELECTRO-VALVE 3/4GM-2Ø10JG 230V RPV
533009500	NIPPLE FOR BICONE 10S
533159400	
536039000	GASKET O-RING 12,42X1,78 SILIC.
536039100	GUIDE FOR WATER SENSOR
533155600	PIVOT SENSOR FOR WATER
536039200	SPACER FOR WATER SENSOR
537064100	CONNECTION * ELECTROVALVE 537063001
537063801	
537063001	ELECTROVALVE G 1/2 230V
-	-



560125700M00P00



Objednačí kód	Popis v ENG
536042300	SILVER CHROM. RING FOR KNOB Ø77 4 P
536042100	SEAL CASING FOR KNOB Ø77 4 P
533162700	PROCESSING CODE



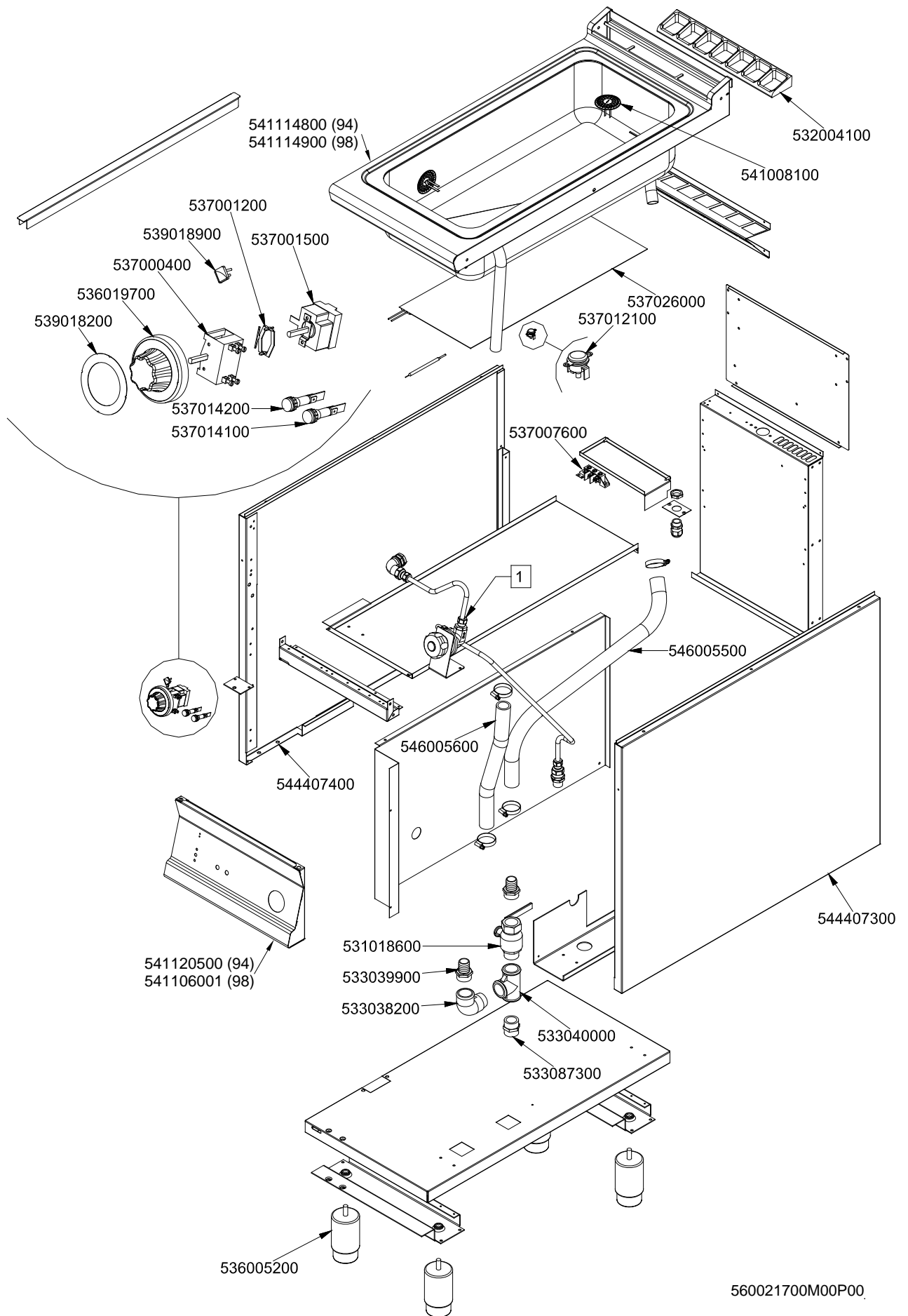
560100002M00P00



Objednací kód	Popis v ENG
539064700	BLACK STICKING DISK 72 (030,090°)
536041700	SILVER CHROM. KNOB Ø77 4P.G.Ø06X4,6
537000400	COMMUTATOR 1POS.SINGLEPHASE S49 16A
537000200	COMMUTATOR 1 POS. 3PHASE S.49 16A
539071700	ADHES.LABEL FOR RING GREEN SIGN.
537014200	GREEN WARNING LIGHT 250V
537014100	WHITE WARNING LIGHT 250V
537001200	FIXING BRACKET FOR THERMOSTAT/COMM.
537033600	FIXING BRACKET FOR THERMOSTAT/COMM.
537001500	THERMOSTAT 30-90°C SINGLEPHASE
537000800	THERMOSTAT 30-90°C THREEPHASE
537012200	THERMOSTAT 30/110°C SINGLEPHASE
537035400	HEATING ELEMENT 00003W 330KOHM W/F

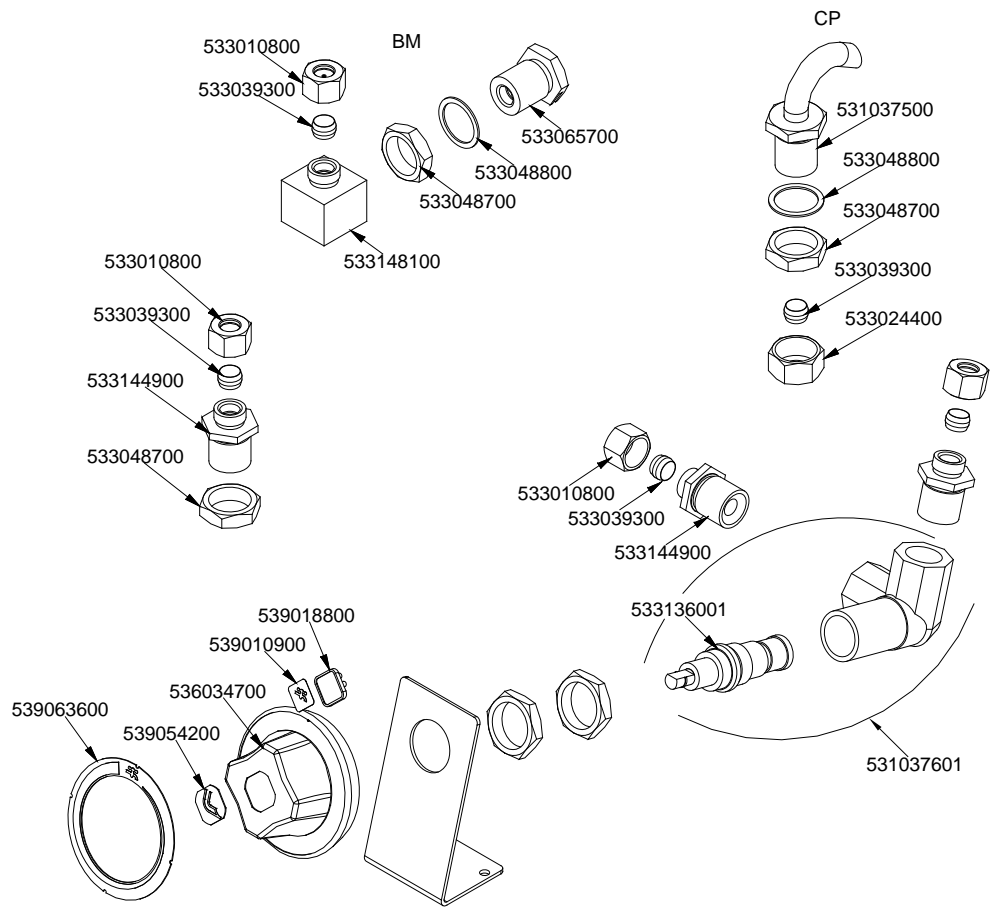


BM - 94 EM, BM - 98 EM
Platný od 1.5.2016
do 30.4.2019

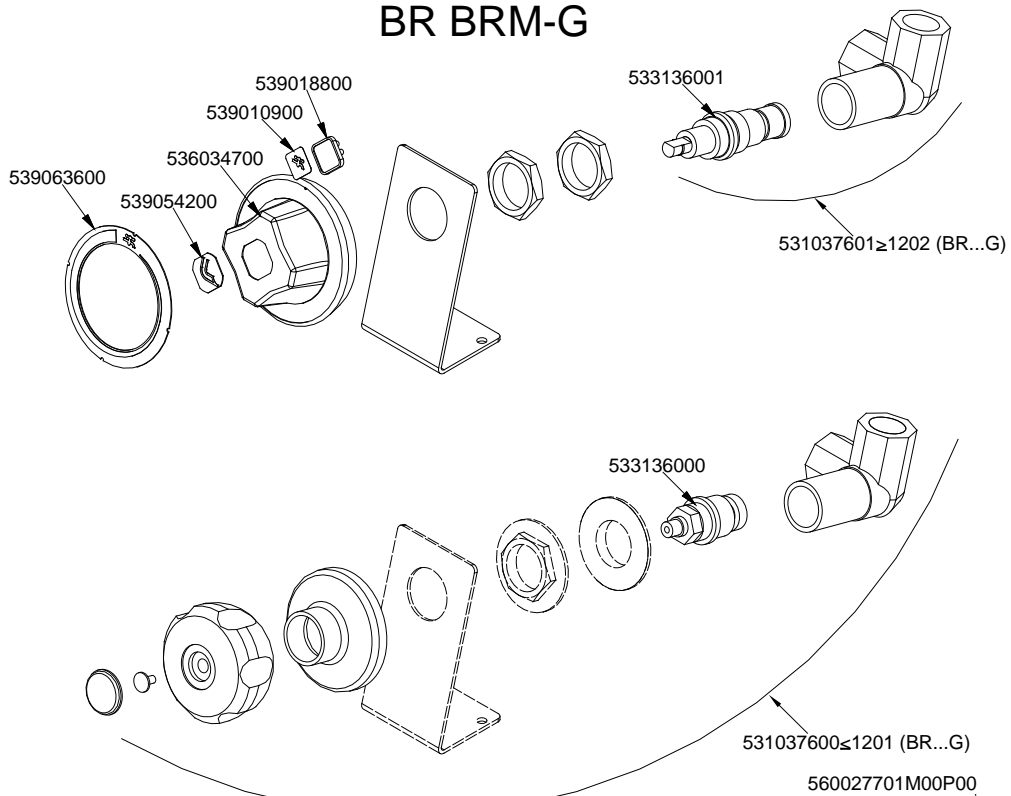




BM - 94 EM, BM - 98 EM
Platný od 1.5.2016
do 30.4.2019



BR BRM-G





BM - 94 EM, BM - 98 EM
Platný od 1.5.2016
do 30.4.2019

