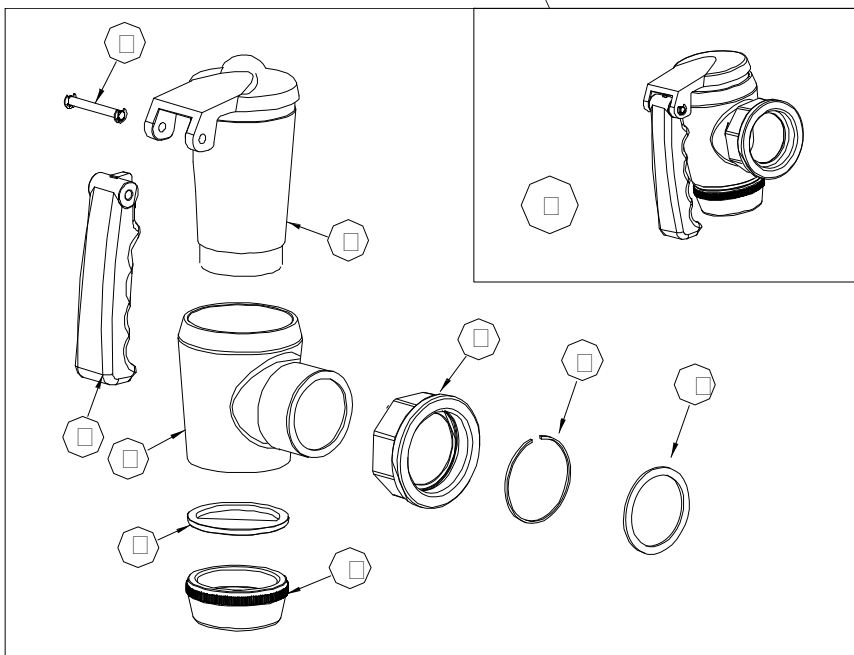
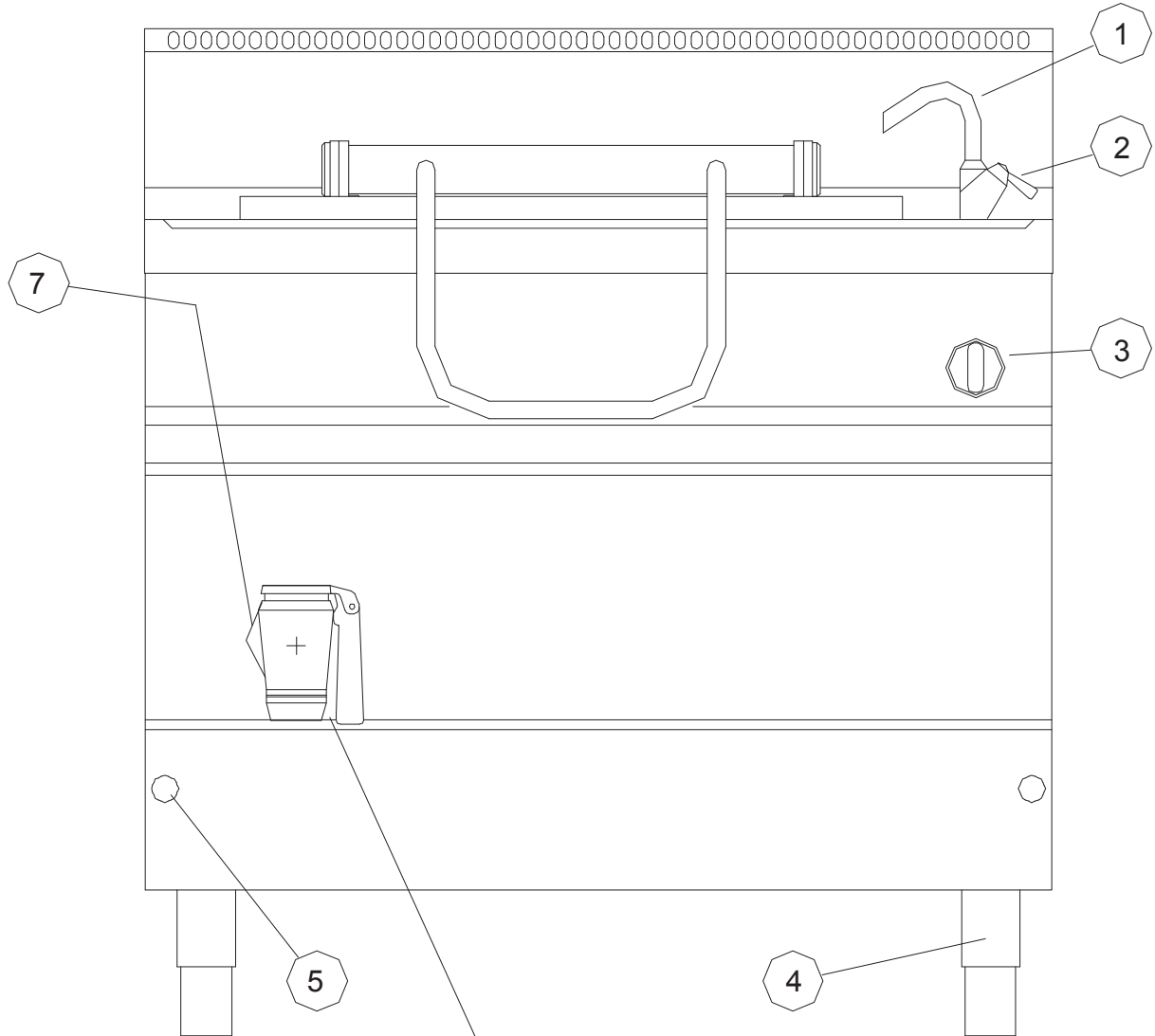




PI370 - 918 G

| Pozice: | Kód: |
|---------|------------|
| 03 | SMP3165-00 |
| 04 | SMP3030-00 |
| 05 | GRP02-0190 |
| 05a | SMP3032-00 |
| 05b | SMB0617-00 |
| 05c | SMB0615-00 |
| 05d | SMB0614-00 |
| 05e | SMB0610-00 |
| 05f | SMB1362-00 |

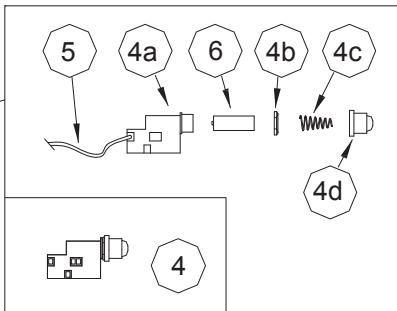
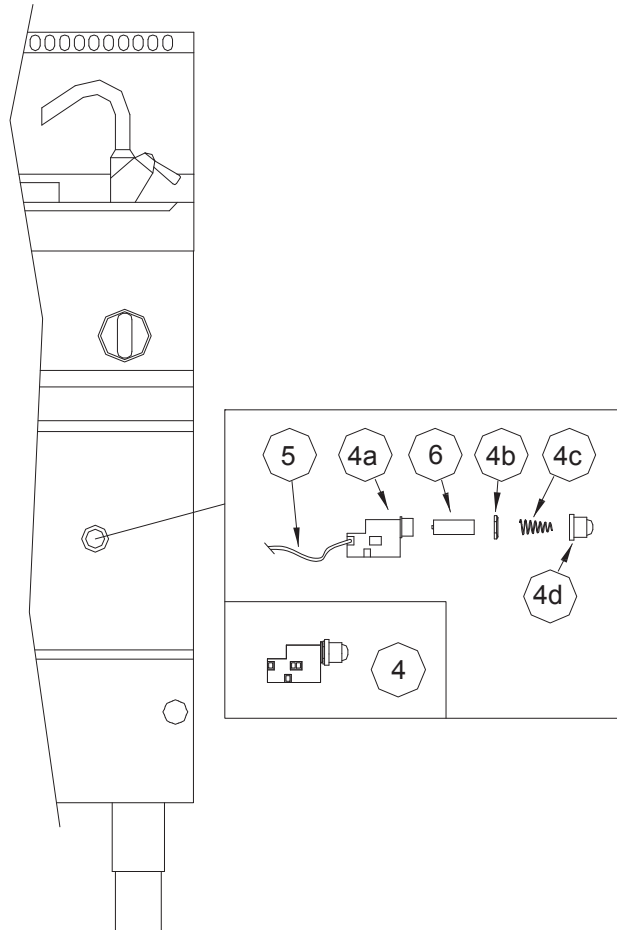
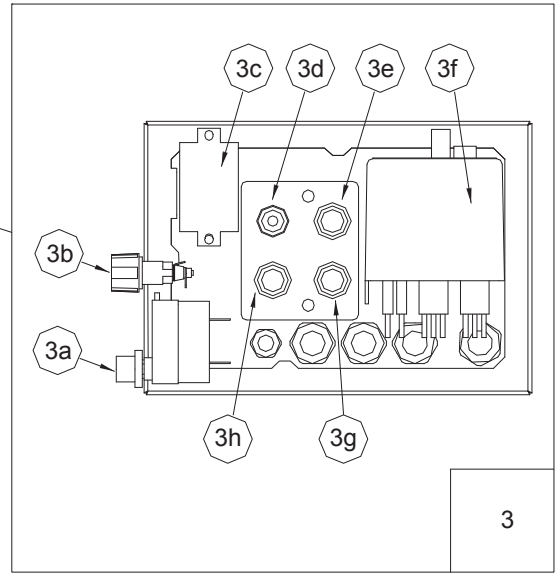
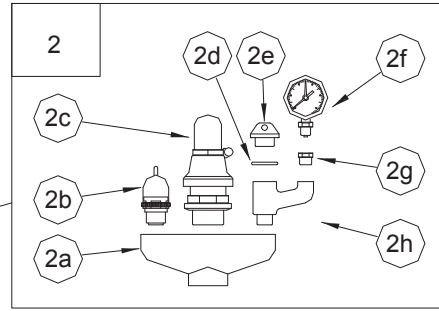
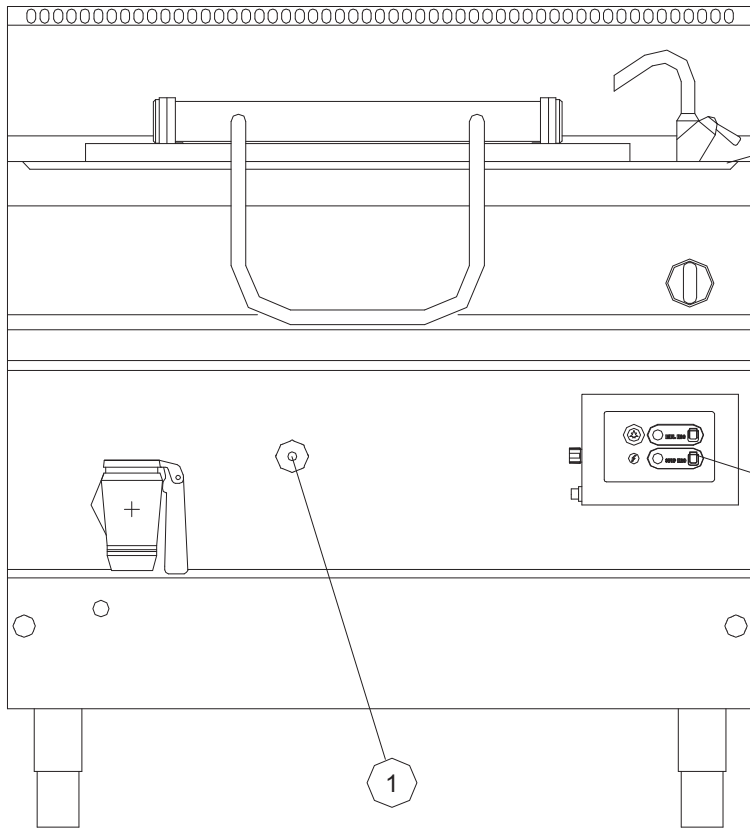




PI370 - 918 G

| Pozice: | Kód: |
|---------|----------|
| 01 | 30200068 |
| 02 | 30200077 |
| 03 | 20200001 |
| 04 | 20100020 |
| 05 | 20200024 |
| 06 | 30200198 |
| a | |
| b | |
| c | 30200182 |
| d | 30200184 |
| e | |
| f | |
| g | |
| h | |
| i | 10500060 |
| 07 | 10200002 |

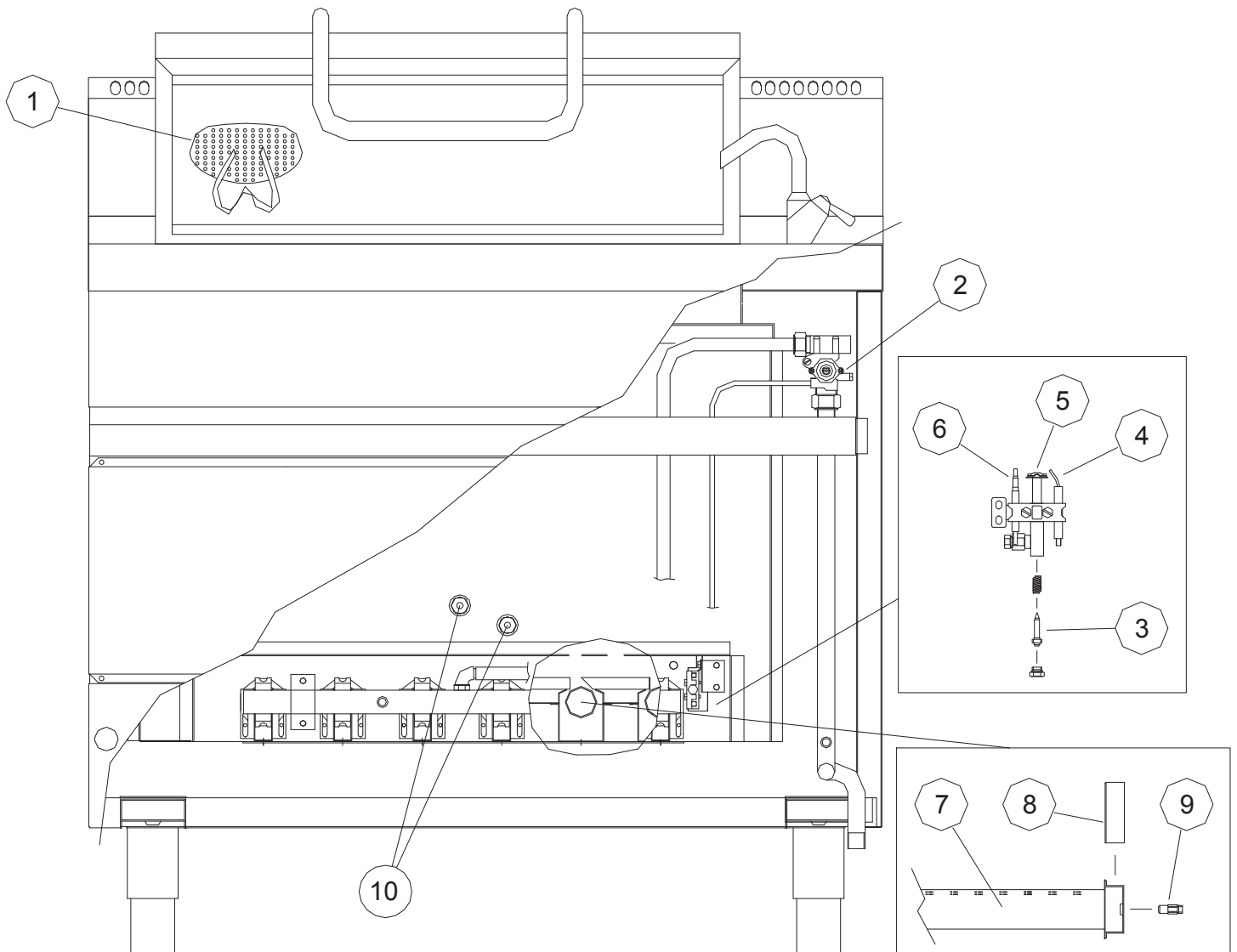
PI370 - 918 G



**PI370 - 918 G**

| Pozice: | Kód: |
|---------|------------|
| 01 | 30200050 |
| 02 | GRP14-0040 |
| 02a | 30300070 |
| 02b | 30300060 |
| 02c | 30300008 |
| 02d | 10500110 |
| 02e | 10400061 |
| 02f | 30300022 |
| 02g | 10400052 |
| 02h | 30300071 |
| 3a | 40100044 |
| 3b | 40200084 |
| 3c | 40200112 |
| 3d | 40100098 |
| 3e | 40200192 |
| 3f | 40800054 |
| 3g | 40200190 |
| 3h | 40200194 |
| 4 | 40100132 |
| 4a | |
| 4b | |
| 4c | |
| 4d | |
| 5 | 40100133 |
| 6 | 40200107 |

PI370 - 918 G





PI370 - 918 G

| Pozice: | | Kód: | |
|---------|---|--|---|
| 01 | | 30700122 | |
| 02 | | 30100003 | |
| 03 | | 30500003 30500004 | Ø 40 x G20 x G25 Ø 25 x G30 |
| 04 | | 30100050 | |
| 05 | | 30100005 | |
| 06 | | 40400100 | |
| 07 | C | 30400010 | |
| 08 | | SC1404-00 | |
| 09 | | 30500050 30500052 30500054 30500056 30500058 | G20 Ø170 G25 20 mbar Ø190 G25 25 mbar Ø180 G30 50 mbar Ø95 G30 29 mbar Ø110 |
| 10 | | 40800040 | |