

Technical data sheet

Product features



Salamander digital 3 heating elements movable upper part Hi-Touch 400 V

Model	SAP Code	00008951
--------------	-----------------	----------



- Removable bottom shelf: Yes
- Continuously sliding upper part of the device with heating elements: Yes
- Automatic temperature control: Yes
- Stainless steel holder included for easy wall mounting: Yes
- Automatic switch off at the end of the cycle and acoustic signaling: Yes
- HOLD function for temperature maintenance: Yes
- Number of heating elements: 3 topné elementy, 2 variant ohřevu

SAP Code	00008951	Power electric [kW]	4.500
Net Width [mm]	570	Loading	400 V / 3N - 50 Hz
Net Depth [mm]	580	Removable bottom shelf	Yes
Net Height [mm]	520	Number of heating elements	3 topné elementy, 2 variant ohřevu
Net Weight [kg]	58.00		

Technical data sheet

Technical drawing

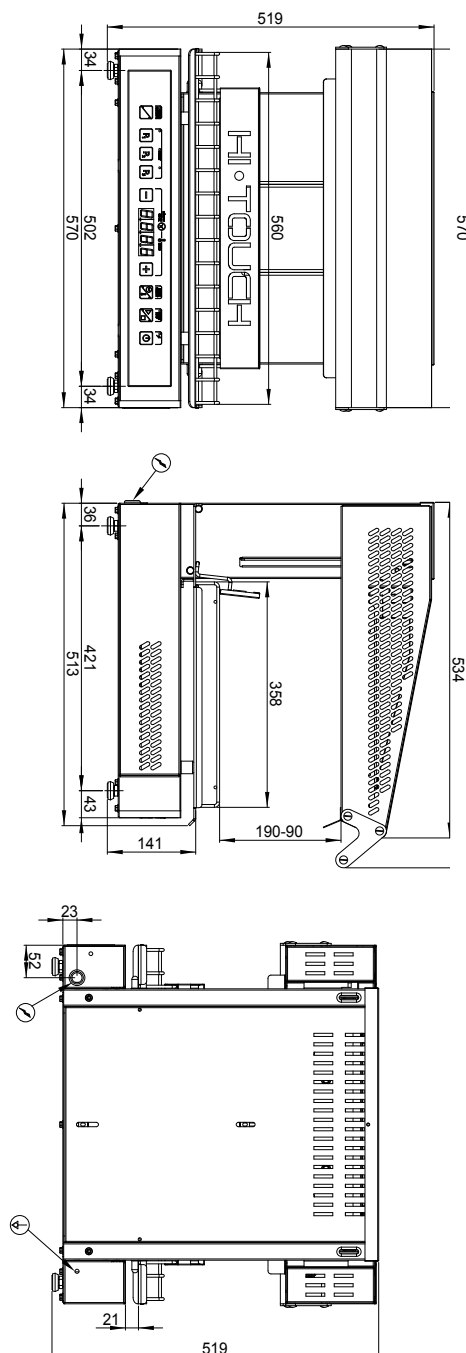


Salamander digital 3 heating elements movable upper part Hi-Touch 400 V

Model

SAP Code

00008951



Technical data sheet

Product benefits



Salamander digital 3 heating elements movable upper part Hi-Touch 400 V

Model	SAP Code	00008951
-------	----------	----------

1

Vermiculite heating segment cover

immediate barrier-free penetration of heat and light from the heating segments
very durable material

- intensive heat treatment of food

2

Special heating elements,

instant thermal run-up

- salamander does not need to be continuously switched on, food is cooked in real time, no waste heat is generated in the kitchen

3

Sliding system

a sliding system enabling a smooth shift of the lift and setting the required distance from the food

- convenient control without the need to exert force to adjust the distance needed to cook the food

4

Programmable

the control panel allows you to set individual times for different foods

- setting of programmed times allows operation by non-expert personnel

5

Individual zone control

control elements enabling switching on individual zones of the device

saves energy and extends its life

- energy saving
- allows for the preparation of different sized foods

6

Stainless steel construction

construction material is high quality stainless steel ensuring long life
high hygiene standard

- safe food preparation; long service life; easy cleaning

7

Wall mount

construction allowing hanging on a wall or structure

- space saving in the kitchen; easy access

8

Automatic shutdown

automatic shutdown at the end of the set cycle
acoustic signal

- Prevents food spoilage

Technical data sheet

Technical parameters



Salamander digital 3 heating elements movable upper part Hi-Touch 400 V

Model

SAP Code

00008951

1. SAP Code:

00008951

2. Net Width [mm]:

570

3. Net Depth [mm]:

580

4. Net Height [mm]:

520

5. Net Weight [kg]:

58.00

6. Gross Width [mm]:

685

7. Gross depth [mm]:

620

8. Gross Height [mm]:

730

9. Gross Weight [kg]:

74.00

10. Device type:

Electric unit

11. Material:

Stainless steel

12. Device heating type:

Infrared emitter

13. Power electric [kW]:

4.500

14. Loading:

400 V / 3N - 50 Hz

15. Maximum device temperature [°C]:

230

16. Control type:

Touchscreen

17. GN / EN size in device:

GN 1/1

18. Removable bottom shelf:

Yes

19. Continuously sliding upper part of the device with heating elements:

Yes

20. Automatic temperature control:

Yes

21. Stainless steel holder included for easy wall mounting:

Yes

22. Automatic switch off at the end of the cycle and acoustic signaling:

Yes

23. HOLD function for temperature maintenance:

Yes

24. Number of heating elements:

3 topné elementy, 2 variant ohřevu