

# Technical data sheet

Product features



## Cooking range electric square 2 zones

<b>Model</b>	<b>SAP Code</b>	00013580
--------------	-----------------	----------



- Device type: Electric unit
- Power consumption of the zone 1 [kW]: 4
- Power consumption of the zone 2 [kW]: 4
- Protection of controls: IPX5
- Material: Stainless steel

<b>SAP Code</b>	00013580	<b>Power electric [kW]</b>	8.000
<b>Net Width [mm]</b>	400	<b>Loading</b>	400 V / 3N - 50 Hz
<b>Net Depth [mm]</b>	800	<b>Number of zones</b>	2
<b>Net Height [mm]</b>	50	<b>Power consumption of the zone 1 [kW]</b>	4
<b>Net Weight [kg]</b>	19.00	<b>Power consumption of the zone 2 [kW]</b>	4

# Technical data sheet

Technical drawing



## Cooking range electric square 2 zones

Model

SAP Code

00013580

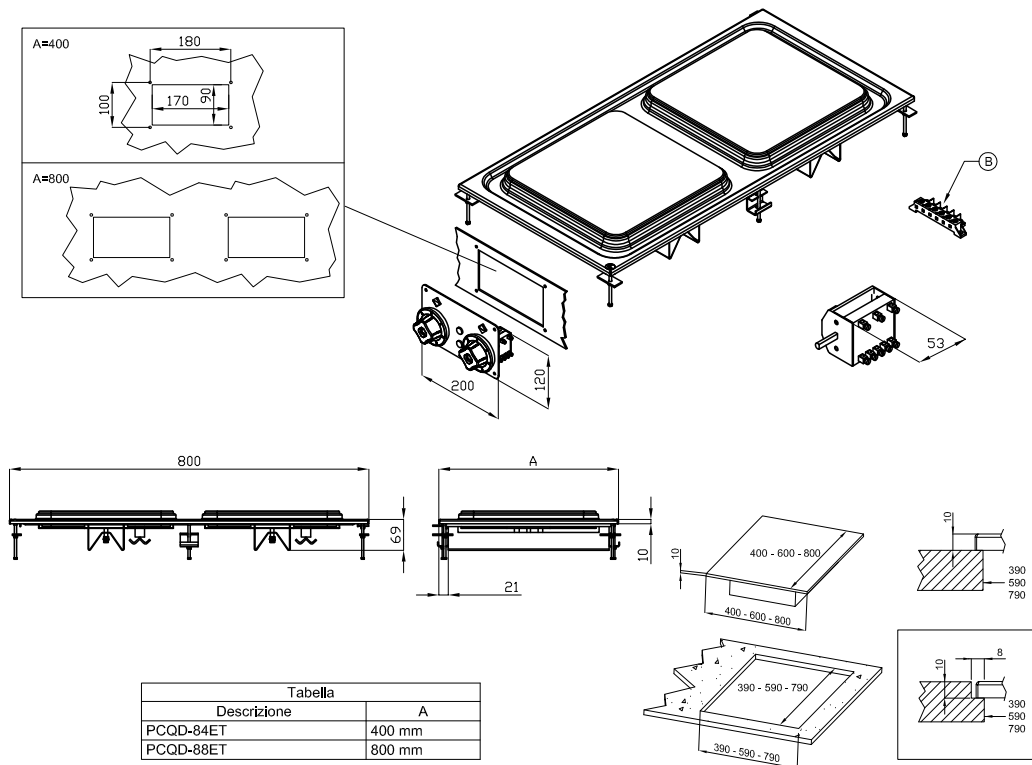


Tabella	
Descrizione	A
PCQD-84ET	400 mm
PCQD-88ET	800 mm

# Technical data sheet

Technical parameters



## Cooking range electric square 2 zones

**Model**

**SAP Code**

00013580

**1. SAP Code:**

00013580

**2. Net Width [mm]:**

400

**3. Net Depth [mm]:**

800

**4. Net Height [mm]:**

50

**5. Net Weight [kg]:**

19.00

**6. Gross Width [mm]:**

430

**7. Gross depth [mm]:**

970

**8. Gross Height [mm]:**

540

**9. Gross Weight [kg]:**

24.00

**10. Device type:**

Electric unit

**11. Construction type of device:**

Drop-in

**12. Power electric [kW]:**

8.000

**13. Loading:**

400 V / 3N - 50 Hz

**14. Protection of controls:**

IPX5

**15. Material:**

Stainless steel

**16. Worktop type:**

Molded - comfortable cleaning maintenance

**17. Worktop material:**

AISI 304

**18. Worktop Thickness [mm]:**

2.00

**19. Number of zones:**

2

**20. Power consumption of the zone 1 [kW]:**

4

**21. Power consumption of the zone 2 [kW]:**

4

**22. Maximum device temperature [°C]:**

300

**23. Minimum device temperature [°C]:**

50

**24. Number of power control stages:**

6

**25. Service accessibility:**

From the front by removing the front panel and waste fluid containers

**26. Safety element:**

internal thermostatic protection of the hotplate against overheating

# Technical data sheet

Technical parameters



## Cooking range electric square 2 zones

<b>Model</b>	<b>SAP Code</b>	00013580
--------------	-----------------	----------

### 27. Safety thermostat:

Yes

### 29. Type of electric cooking zones:

Squared

### 28. Number of burners/hot plates:

2