

Technical data sheet



Product features

Model	SAP Code	00009992
KDA 66 ED	A group of articles - web	Grills and grill plates



- Top type: Smooth
- Griddle dimensions [mm x mm]: 650 x 480 + 320 x 380 + 320 x 380
- Griddle thickness [mm]: 10.00
- Container for liquid fat: Yes
- Independent heating zones: Separate control for each heating zone on the bottom plate and for the top plates
- Maximum device temperature [°C]: 300
- Surface finish: polished chrome 0.03 mm

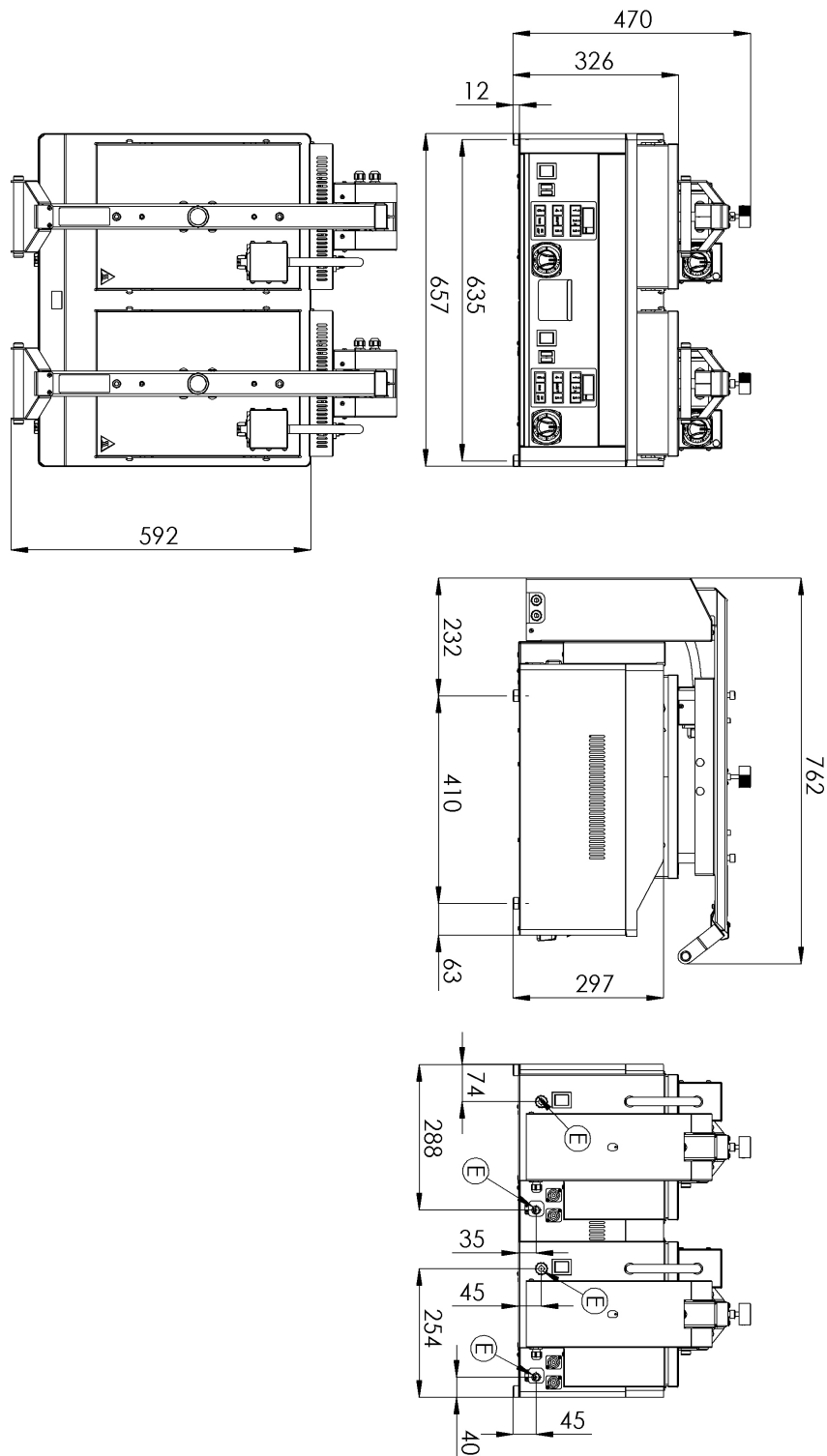
SAP Code	00009992	Net Weight [kg]	90.00
Net Width [mm]	658	Power electric [kW]	12.000
Net Depth [mm]	760	Griddle dimensions [mm x mm]	650 x 480 + 320 x 380 + 320 x 380
Net Height [mm]	442	Top type	Smooth

Technical data sheet



Technical drawing

Model	SAP Code	00009992
KDA 66 ED	A group of articles - web	Grills and grill plates



Technical data sheet



Technical parameters

Model	SAP Code	00009992
KDA 66 ED	A group of articles - web	Grills and grill plates

1. SAP Code:

00009992

2. Article group:

Sale

3. Net Width [mm]:

658

4. Net Depth [mm]:

760

5. Net Height [mm]:

442

6. Net Weight [kg]:

90.00

7. Gross Width [mm]:

725

8. Gross depth [mm]:

800

9. Gross Height [mm]:

564

10. Gross Weight [kg]:

99.00

11. Construction type of device:

Table top

12. Power electric [kW]:

12.000

13. Protection of controls:

IPX4

14. Material:

AISI 430

15. Indicators:

operation and warm-up

16. Surface finish:

polished chrome 0.03 mm

17. Maximum device temperature [°C]:

300

18. Minimum device temperature [°C]:

50

19. Griddle dimensions [mm x mm]:

650 x 480 + 320 x 380 + 320 x 380

20. Griddle thickness [mm]:

10.00

21. Container for liquid fat:

Yes

22. Independent heating zones:

Separate control for each heating zone on the bottom plate and for the top plates

23. Uniform heating:

Yes

24. Top type:

Smooth