

Technical data sheet

Product features



Cooking range solid top gas 5x burner on open cabinet 1x plate 4 kW

| | | |
|--------------|-----------------|----------|
| Model | SAP Code | 00006428 |
|--------------|-----------------|----------|



- Device type: Gas unit
- Power consumption of the zone 1 [kW]: 10
- Power consumption of the zone 2 [kW]: 7
- Power consumption of the zone 3 [kW]: 7
- Power consumption of the zone 4 [kW]: 7
- Power consumption of the zone 5 [kW]: 4
- Ignition: Piezo+večný plamen
- Protection of controls: IPX5
- Material: AISI 304

| | | | |
|------------------------|--------------------------------|---|-----------|
| SAP Code | 00006428 | Number of zones | 5 |
| Net Width [mm] | 1200 | Power consumption of the zone 1 [kW] | 10 |
| Net Depth [mm] | 900 | Power consumption of the zone 2 [kW] | 7 |
| Net Height [mm] | 900 | Power consumption of the zone 3 [kW] | 7 |
| Net Weight [kg] | 150.00 | Power consumption of the zone 4 [kW] | 7 |
| Power gas [kW] | 35.000 | Power consumption of the zone 5 [kW] | 4 |
| Type of gas | Natural gas, propane butane | Solid top dimensions [mm x mm] | 370 x 730 |

Technical data sheet

Technical drawing

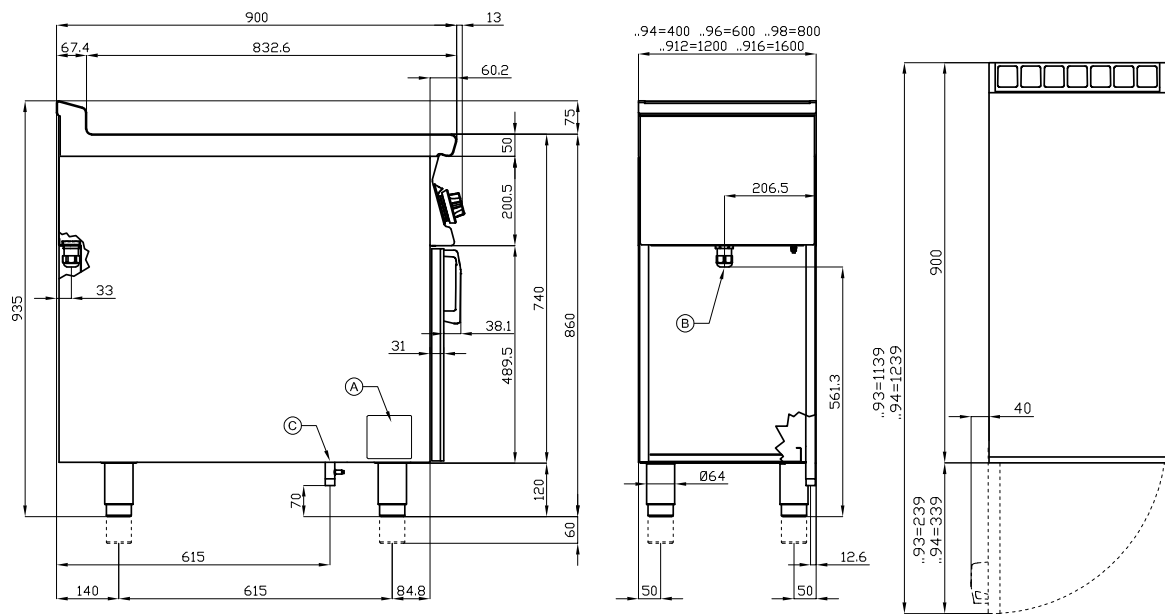


Cooking range solid top gas 5x burner on open cabinet 1x plate 4 kW

Model

SAP Code

00006428



| | | | | | |
|---|------------|--|---|----------------|----------------|
| A | Data plate | | C | Gas connection | ISO 7-1 3/4" M |
|---|------------|--|---|----------------|----------------|

Technical data sheet

Product benefits



Cooking range solid top gas 5x burner on open cabinet 1x plate 4 kW

| Model | SAP Code | 00006428 |
|-------|----------|----------|
|-------|----------|----------|

1

Massive construction of burners

- high performance and efficiency
- brass burners removable
- eternal flame
- long life
- demountable
 - energy saving (perfect combustion)
 - time saving for food preparation
 - easy maintenance/cleaning

2

Hygienic moldings of the top plate

- absence of sharp corners and edges (potential places where dirt could stick)
- smooth transitions
 - easy quick cleaning

3

Degree of protection of the control elements IPX5

- maintenance-free system
- resistance to splash water
- long life
 - savings on service interventions
 - easy cleaning and maintenance of equipment

4

All-stainless design

- the material does not cut
- wear resistance of the material
- long life
 - savings on service interventions
 - easy cleaning and maintenance of equipment

5

Safety element – thermocouple

- safe operation for personnel
- there is no overheating and damage to the thallus
- long life
 - savings on service interventions
 - easier and faster operation

6

Piezoelectric ignition

- instant flame ignition
- there is no unnecessary gas leakage
- long life
 - savings on service interventions
 - easier and faster operation

7

Massive thal

- 15mm material ensures even distribution of heat and heating of the product (heat several pots at the same time at the same temperature)
- material resistance
- long life
 - time saving
 - ease of operation
 - savings on service interventions

Technical data sheet

Technical parameters



Cooking range solid top gas 5x burner on open cabinet 1x plate 4 kW

Model

SAP Code

00006428

1. SAP Code:

00006428

2. Net Width [mm]:

1200

3. Net Depth [mm]:

900

4. Net Height [mm]:

900

5. Net Weight [kg]:

150.00

6. Gross Width [mm]:

1230

7. Gross depth [mm]:

970

8. Gross Height [mm]:

1110

9. Gross Weight [kg]:

160.00

10. Device type:

Gas unit

11. Construction type of device:

With substructure

12. Power gas [kW]:

35.000

13. Ignition:

Piezo+večný plamen

14. Type of gas:

Natural gas, propane butane

15. Protection of controls:

IPX5

16. Device color:

Stainless steel

17. Material:

AISI 304

18. Worktop type:

Molded - comfortable cleaning maintenance

19. Worktop material:

AISI 304

20. Worktop Thickness [mm]:

2.00

21. Number of zones:

5

22. Power consumption of the zone 1 [kW]:

10

23. Power consumption of the zone 2 [kW]:

7

24. Power consumption of the zone 3 [kW]:

7

25. Power consumption of the zone 4 [kW]:

7

26. Power consumption of the zone 5 [kW]:

4

27. Number of power control stages:

7

28. Grid material:

Cast iron

Technical data sheet

Technical parameters



Cooking range solid top gas 5x burner on open cabinet 1x plate 4 kW

| | | |
|--------------|-----------------|----------|
| Model | SAP Code | 00006428 |
|--------------|-----------------|----------|

29. Service accessibility:

From the front by removing the front panel and waste fluid containers

34. Burner type:

Brass, detachable

30. Safety thermocouple:

Yes

35. Solid top thickness [mm]:

15

31. Adjustable feet:

Yes

36. Solid top dimensions [mm x mm]:

370 x 730

32. Number of burners/hot plates:

5

37. Solid top ignition:

Piezo + Eternal Flame

33. Type of gas cooking zones:

Fire protection to install + Classic burners