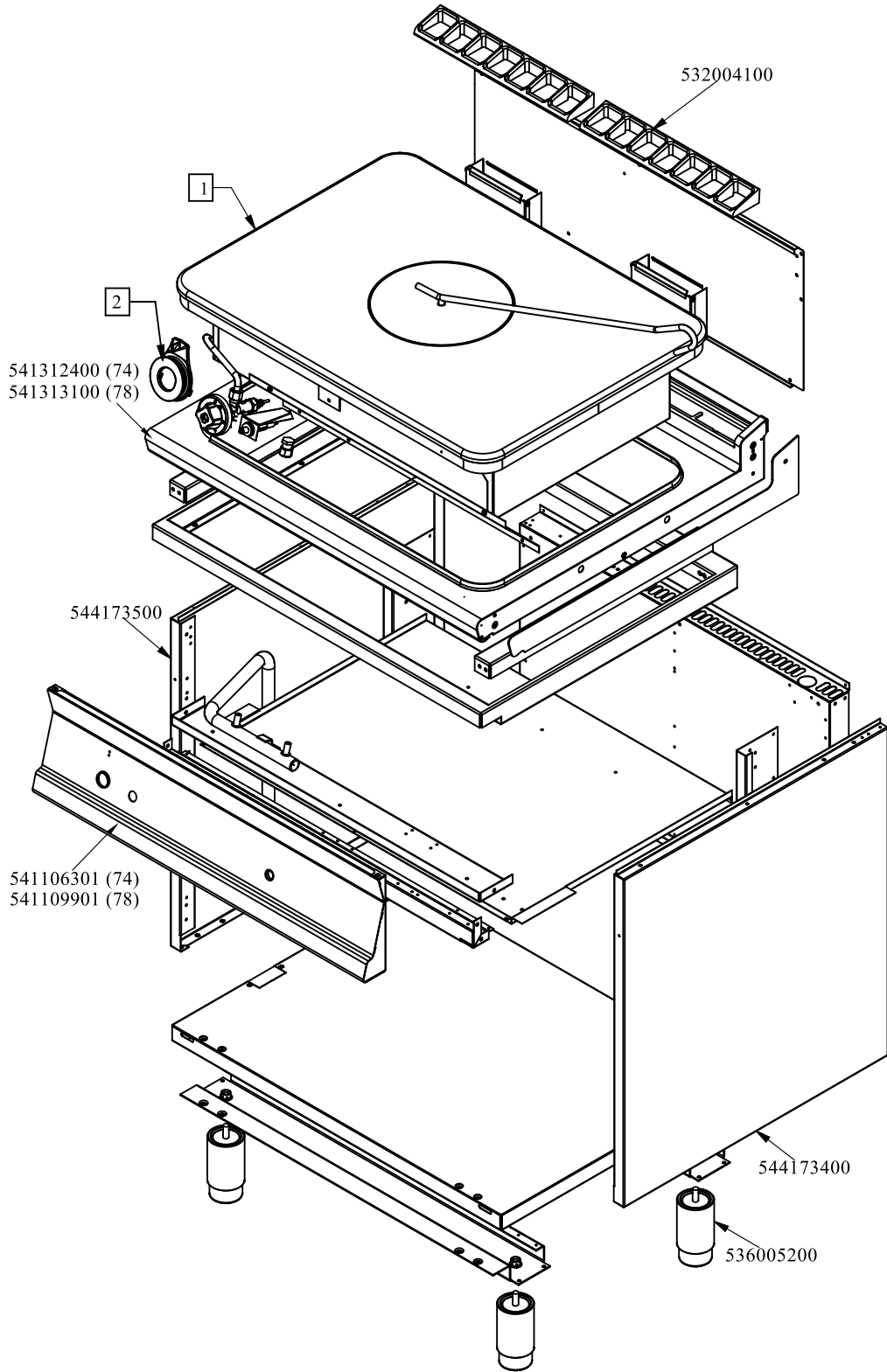
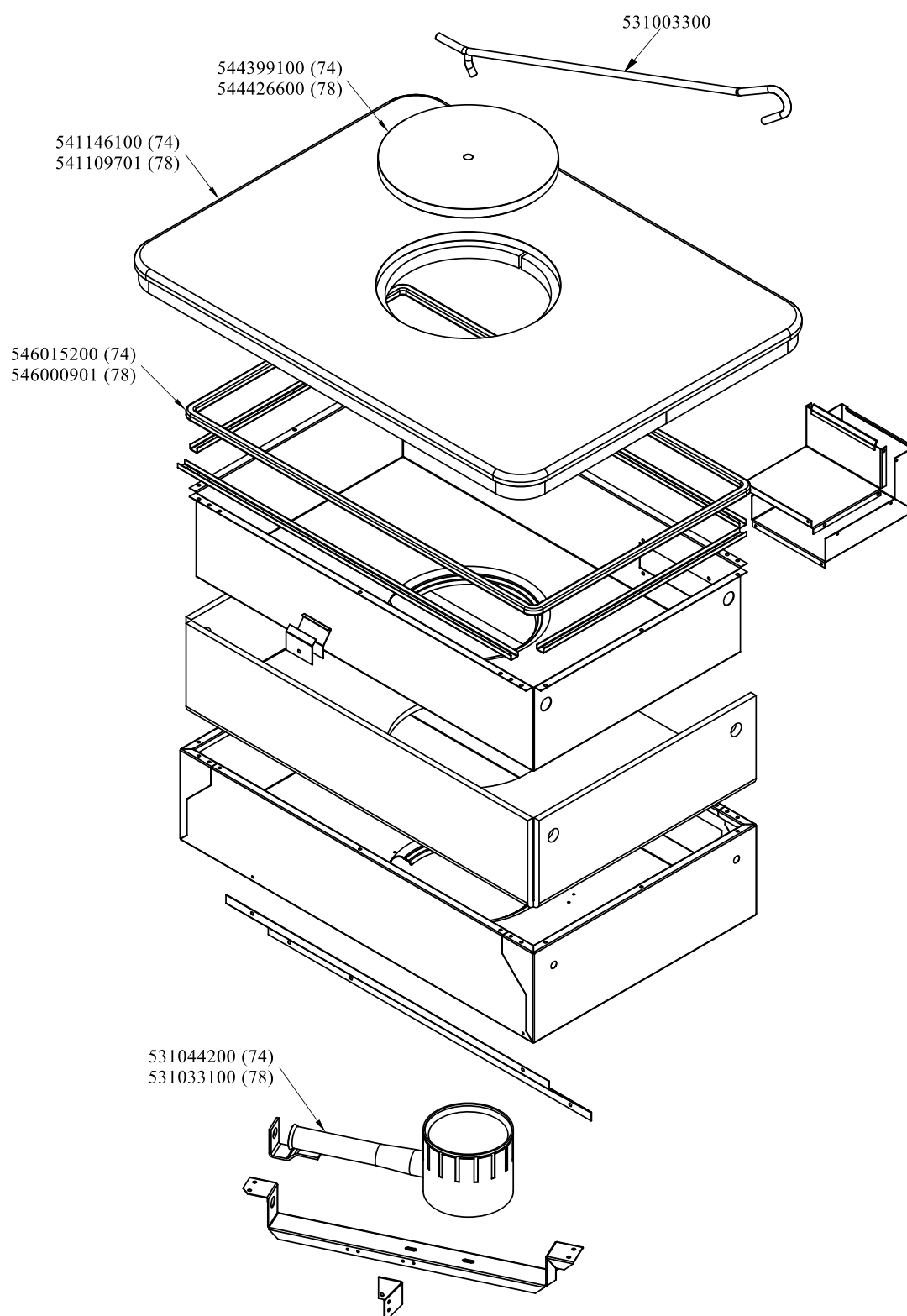


RM 700  
 Platný od 1.5. 2019  
 TP-78G



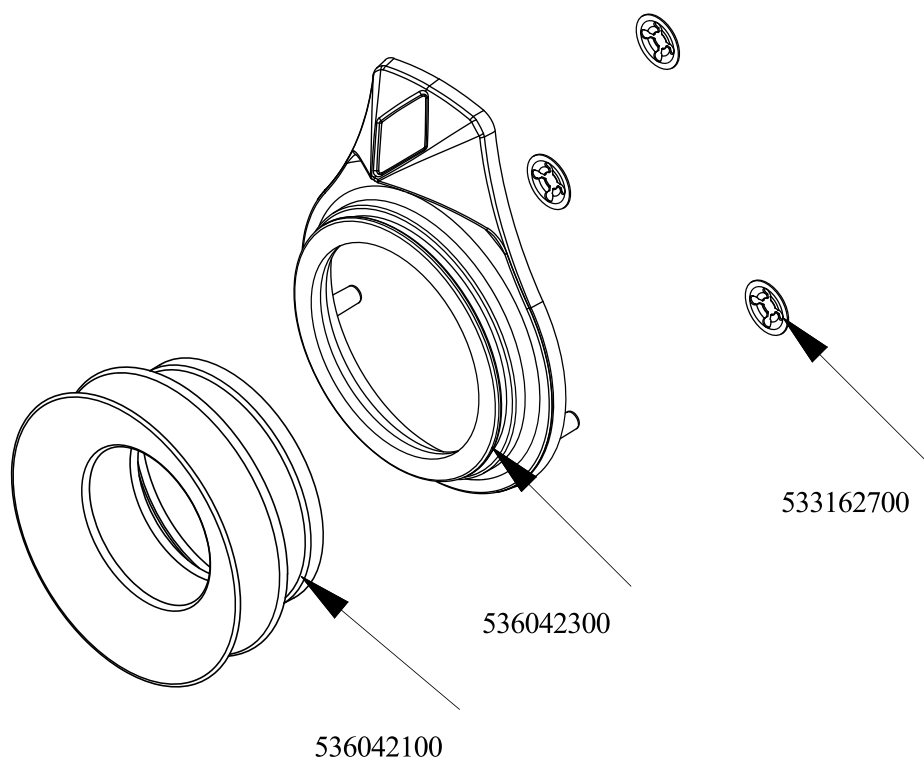


Objednačí kód	Popis v ENG
541313100	
544173500	LEFT SIDE PANEL S.70
532004100	FLUE GRID L=370 90LINE (RAF)
541109901	
544173400	RIGHT SIDE PANEL S.70
536005200	INOX LEG 2" 120-180 M10
-	-
-	-





Objednací kód	Popis v ENG
531003300	TP-PLATE LIFTING HOOK
544399100	PLATE RING FOR TP-74G TP-94G
544426600	PLATE RING FOR TP-98G
541146100	PLATE TP-74G
541109701	UPPER PLATE TP-78G
546015200	SQUARE BRAID 12*12*L=1495
546000901	SQUARE BRAID OF INSULATING MATERIAL
531044200	CIRCULAR BURNER TP D.066
531033100	BURNER TP..-78G



560125700M00P00



Objednačí kód	Popis v ENG
536042300	SILVER CHROM. RING FOR KNOB Ø77 4 P
536042100	SEAL CASING FOR KNOB Ø77 4 P
533162700	PROCESSING CODE

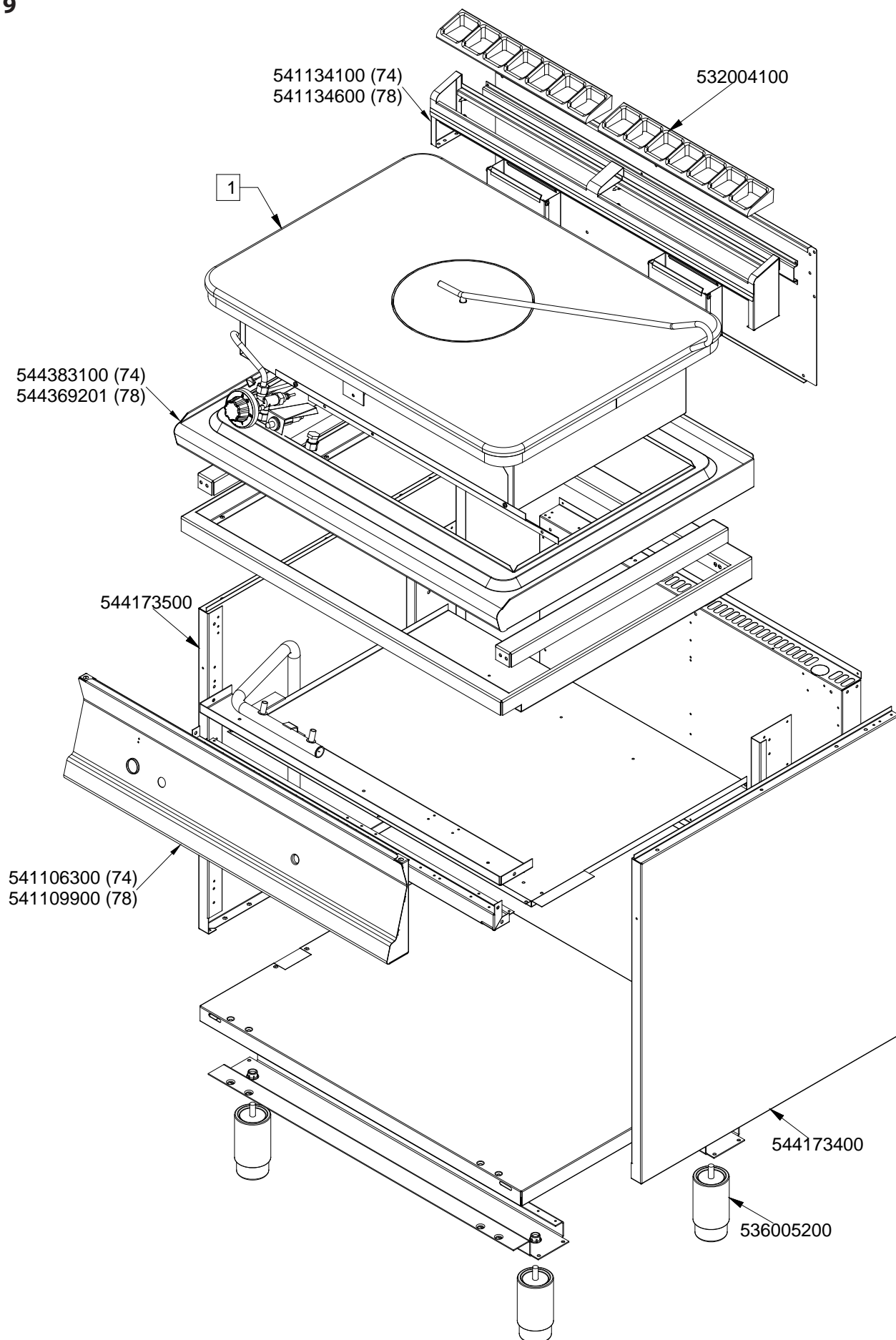


TP - 74 G, TP - 78 G

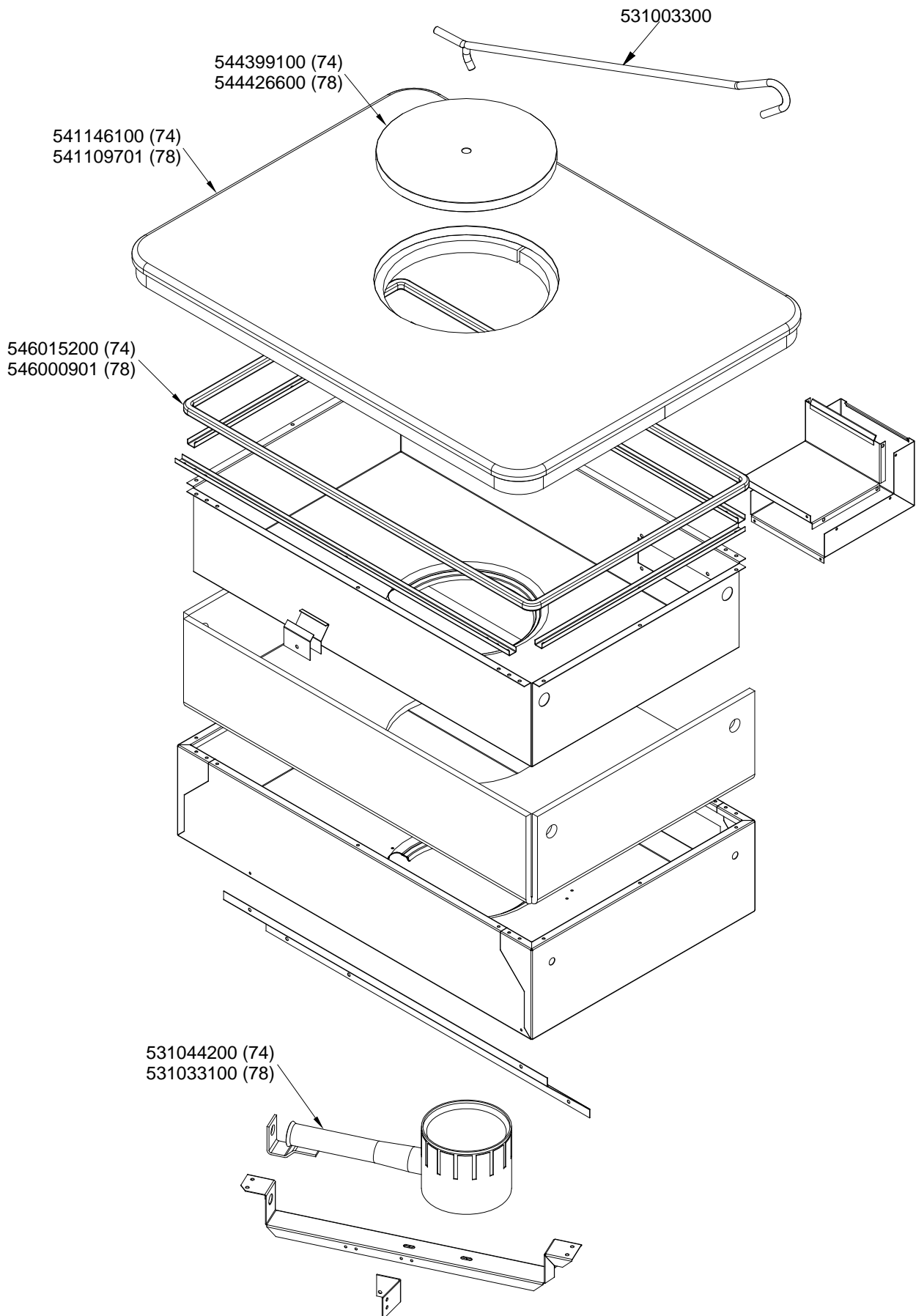
Platný od

1.5.2016

do 30.4.2019



TP - 74 G, TP - 78 G  
(1)

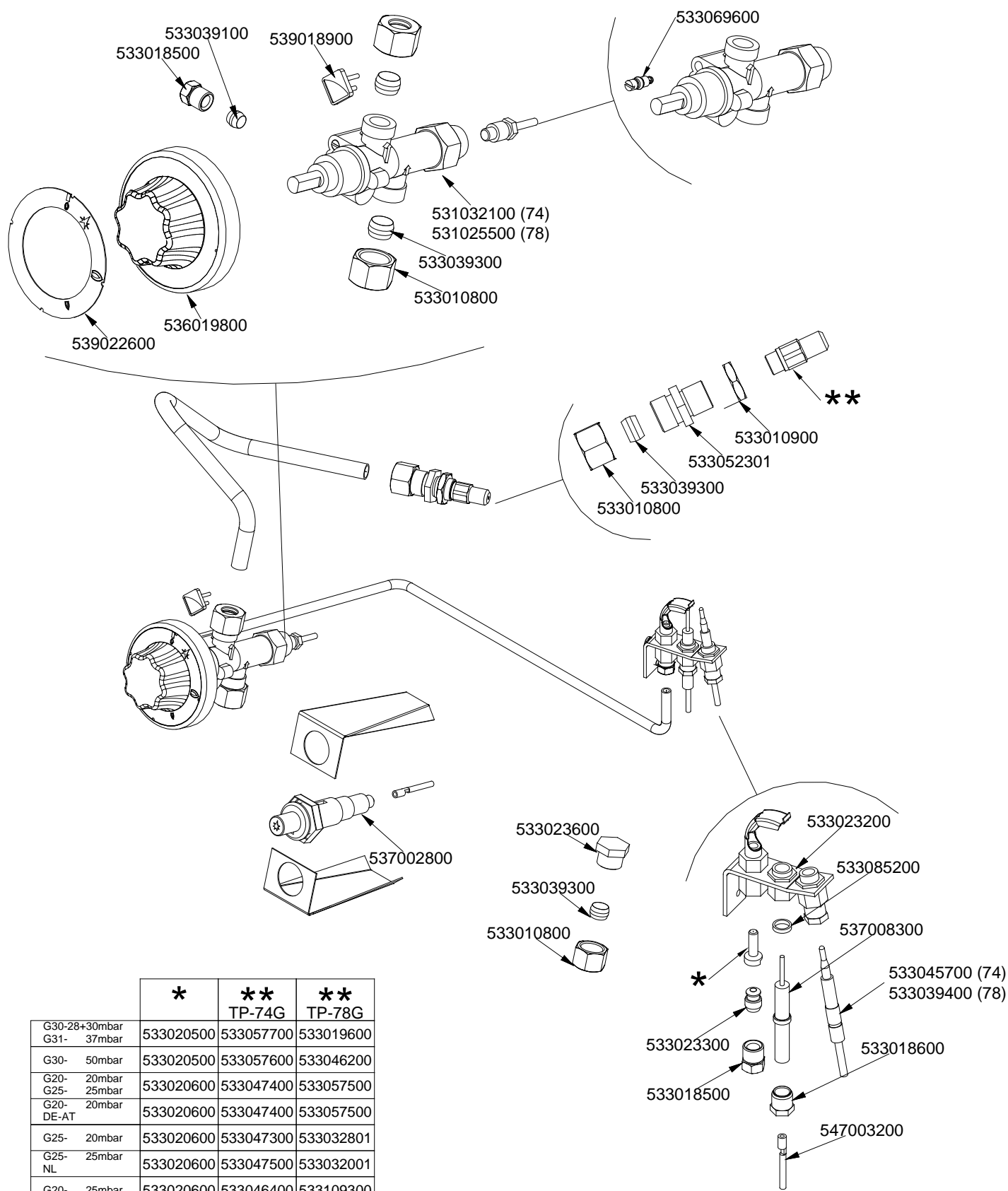






TP - 74 G, TP - 78 G

(2)



	*	**	**
		TP-74G	TP-78G
G30-28+30mbar			
G31- 37mbar	533020500	533057700	533019600
G30- 50mbar	533020500	533057600	533046200
G20- 20mbar	533020600	533047400	533057500
G25- 25mbar	533020600	533047400	533057500
G20-DE-AT	533020600	533047400	533057500
G25- 20mbar	533020600	533047300	533032801
G25- 25mbar	533020600	533047500	533032001
G20- 25mbar	533020600	533046400	533109300