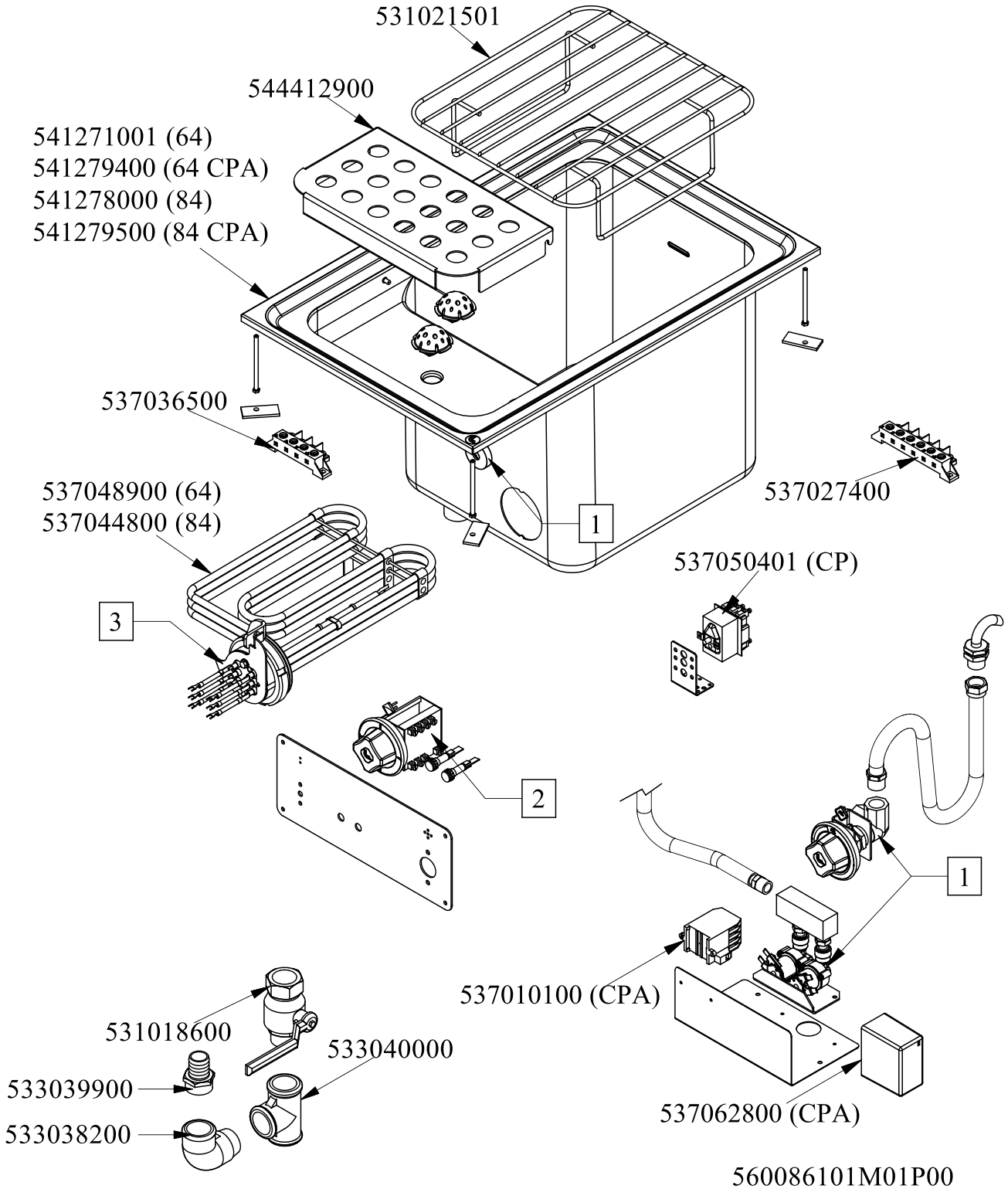




RM Drop In

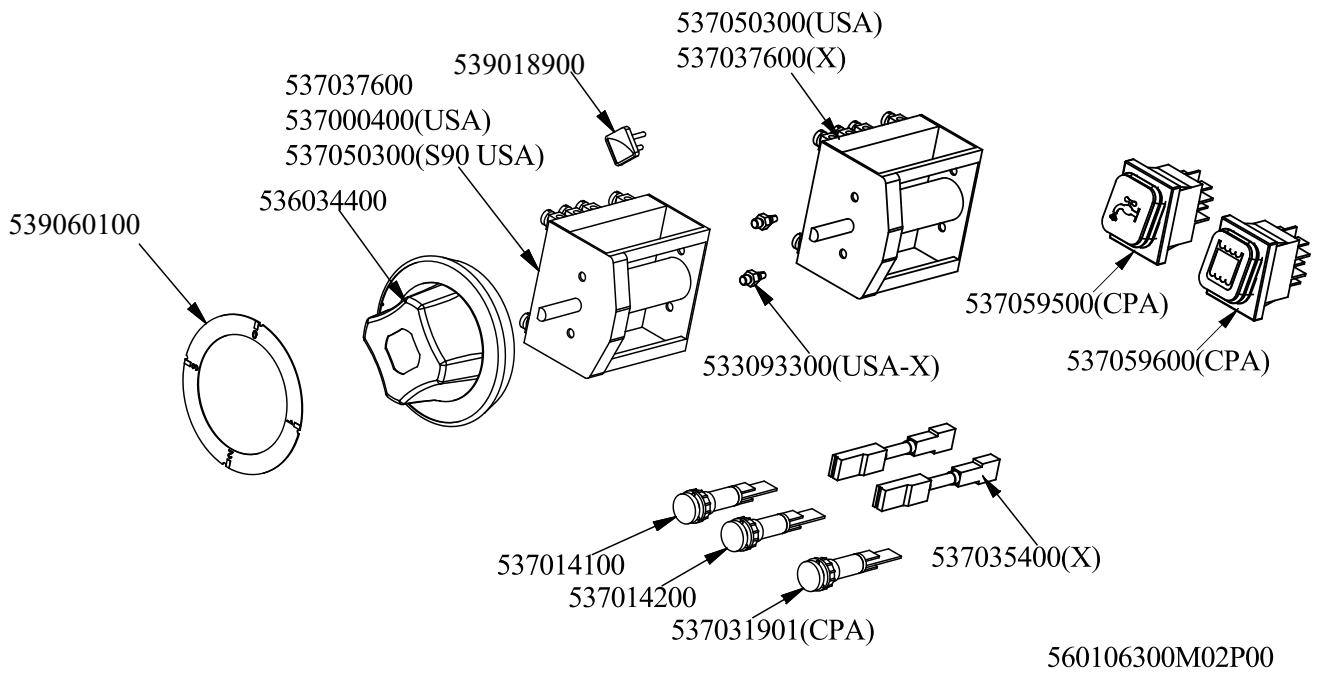
Platný od 1.5. 2019

CPD-64ET, CPD-84ET, CPAD-64ET, CPAD-84ET



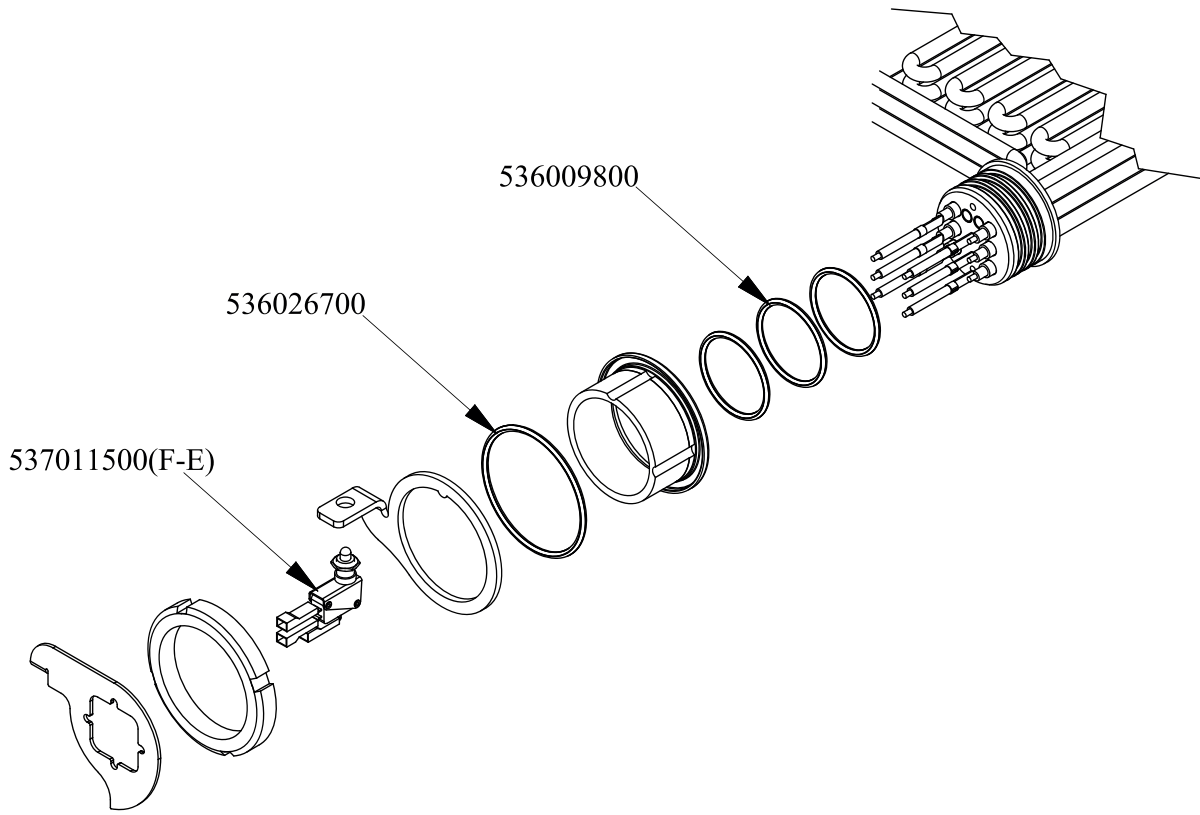


Objednačí kód	Popis v ENG
544412900	BASKET HOLDER FOR DRAINAGE OF CP90
531021501	BASKET SUPPORT GRID CP S.70
537050401	SAFETY THERMOSTAT 185°C THREEPHASE
537036500	TERMINAL BLOCK 4POLES 40A SCREW-SCR
537027400	TERMINAL BLOCK THREEPHASE 40A
541271001	UPPER PLATE DROP IN CPD-64ET
537048900	HEATING EL. 9000W 230V 3 ROTAT.EL.
533038200	1" G M-F ELBOW FITTING
533039900	PIPE HOLDER 1" G M D.24
533040000	1"G F-F-F "T" FITTING
531018600	BALL VALVE 1"G M-F CPM-62G
-	-
-	-
-	-





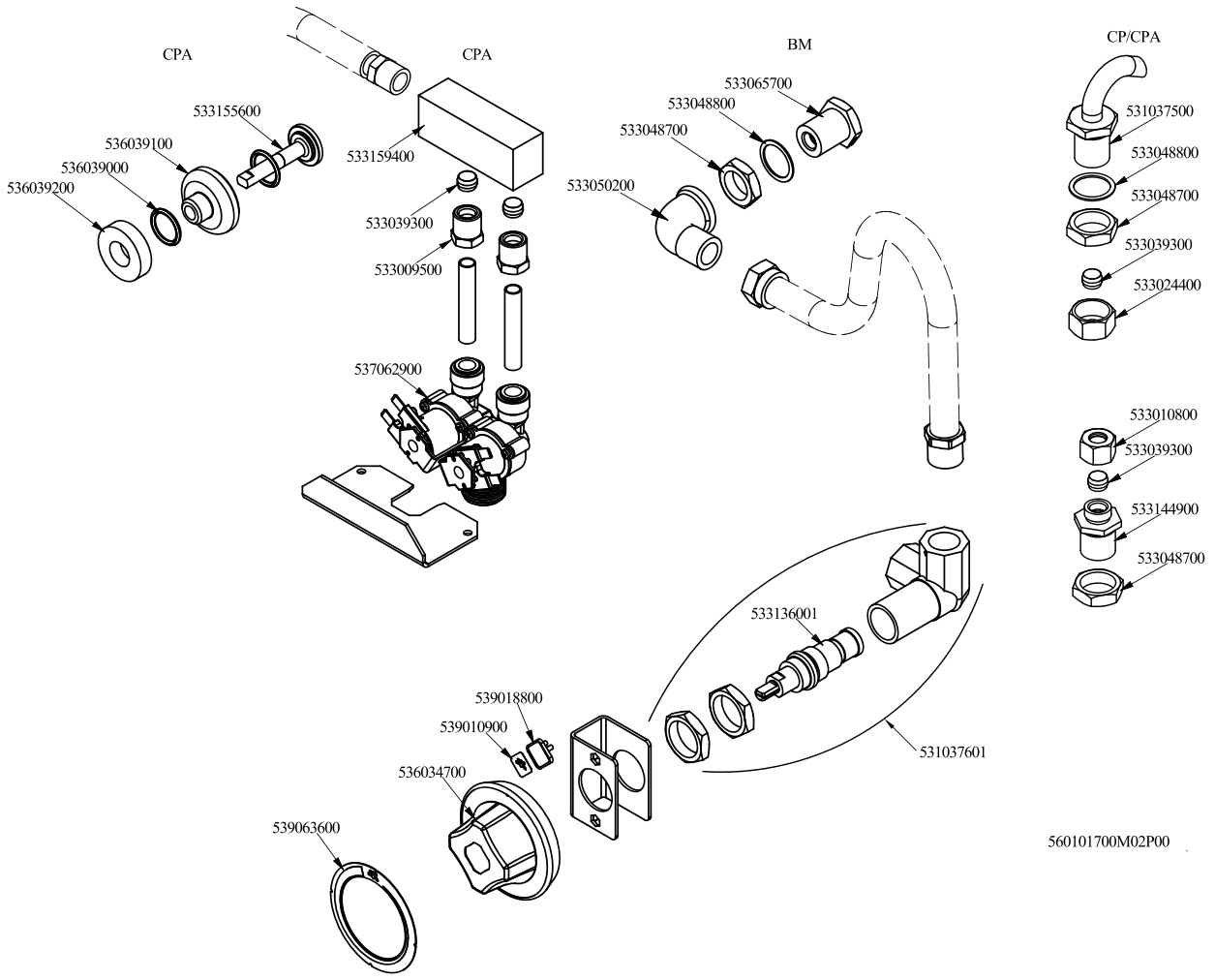
Objednací kód	Popis v ENG
536034400	KNOB §77 4P. §06*4,6 C/M
539018900	INDEX FOR KNOB RED SIGN
537014100	WHITE WARNING LIGHT 250V
537014200	GREEN WARNING LIGHT 250V
537037600	COMMUTATOR 4 POS.3PHASE S.43 32A
537000400	COMMUTATOR 1POS.SINGLEPHASE S49 16A
537050300	COMMUTAT.4POS.3PHASE 43 32A CP UL
539060100	RED ADESIVE DISK FOR CPT-ET
539063800	ADHESIVE DISK 72 4 P.DRAIN COCK USA
533093300	LOCKING PIN SWITCH S.43 THERMOST
537031901	RED WARNING LIGHT PCI 12V E FASTON
537050300	COMMUTAT.4POS.3PHASE 43 32A CP UL
537037600	COMMUTATOR 4 POS.3PHASE S.43 32A
537035400	HEATING ELEMENT 00003W 330KOHM W/F
537059500	P.D. BLUE SWITCH
537059600	



560111000M00P00



Objednací kód	Popis v ENG
536009800	GASKET O-RING 47,22X3,53 VITON
536026700	GASKET O-RING 74,61X3,53 VITON
537011500	MICRO-SWITCH 10A 400V



560101700M02P00



Objednačí kód	Popis v ENG
531037601	TAP FOR WATER 90°DX CP
531037500	PROCESSING CODE
533048800	GASKET §30*§21*2 FIBRE
533048700	NUT 1/2G ZN
533039300	BICONE §10
533024400	HEXAGONAL NUT 1/2G TUBE D.10
533048700	NUT 1/2G ZN
533048800	GASKET §30*§21*2 FIBRE
533065700	FITTING FOR WATER INPUT 1/2G
539063600	ADHESIVE DISK 72 FOR DRAIN COCK
536034700	KNOB §77 4P. §08*6,5 F§30
539010900	ADHESIVE LABEL FOR DRAIN COCK
539018800	BLANK INDEX FOR KNOB
533136001	SCREW TAP WATER LOAD FOR CP S70/90
533050200	90° 1/2 M/F ELBOW FITTING
533010800	TUBE NUT D.10 M16*1,5
533039300	BICONE §10
533144900	MALE FITTING WATER INLET M16X1,5
533048700	NUT 1/2G ZN
537062900	ELECTRO-VALVE 3/4GM-2Ø10JG 230V RPV
533009500	NIPPLE FOR BICONE 10S
533039300	BICONE §10
533159400	
536039000	GASKET O-RING 12,42X1,78 SILIC.
536039100	GUIDE FOR WATER SENSOR
533155600	PIVOT SENSOR FOR WATER
536039200	SPACER FOR WATER SENSOR

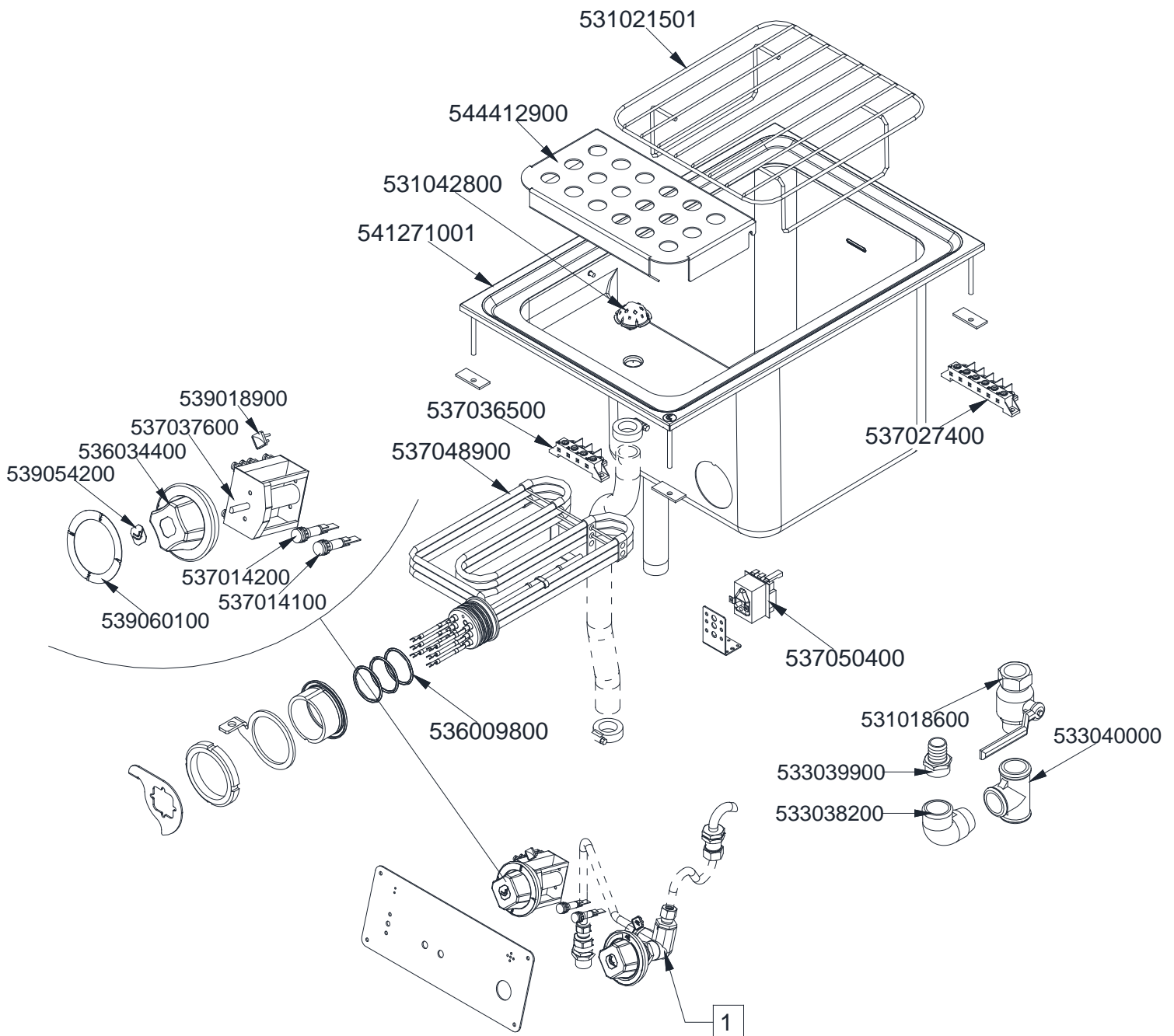




CPD-64ET≥12080124

Platný od 1.5.2016

do 30.4.2019

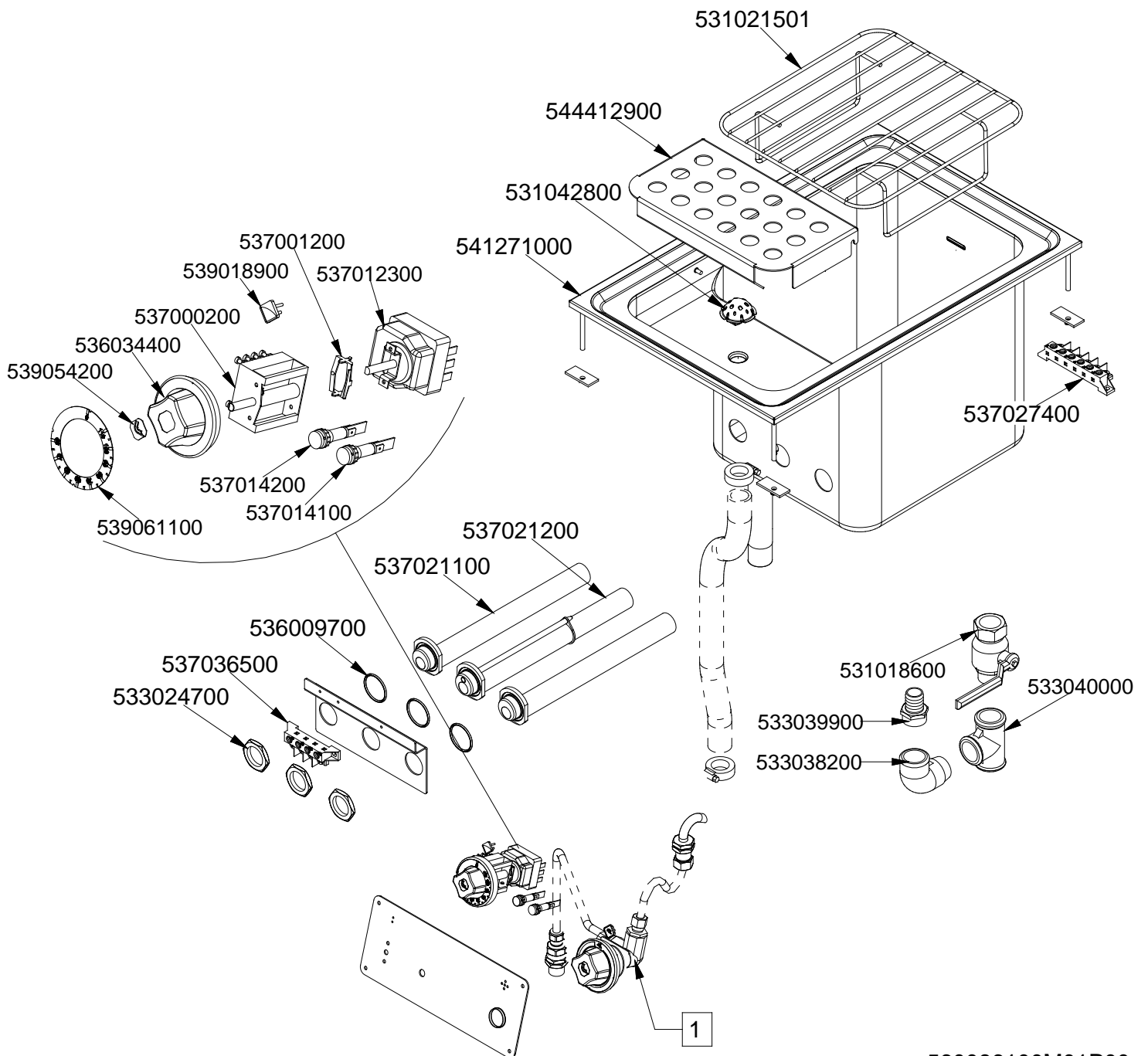




CPD-64ET≤12080123

Platný od 1.5.2016

do 30.4.2019





CPD-64ET  
Platný od  
1.5.2016  
do 30.4.2019

